

D-SUB contact insert - VS-09-ST-DSUB-LH-B - 1654785

Please be informed that the data shown in this PDF Document is generated from our Online Catalog. Please find the complete data in the user's documentation. Our General Terms of Use for Downloads are valid (<http://phoenixcontact.com/download>)



D-SUB contact insert, shell size 1, with nine signal contacts, contact type pin, for PCB assembly, angled, fixing with a 2.5 mm hole and solder metal plate, for panel mounting frame VS-09-...



Key commercial data

Packing unit	1 pc
Minimum order quantity	10 pc
Weight per Piece (excluding packing)	9.4 GRM
Custom tariff number	85366990
Country of origin	Germany

Technical data

Mechanical characteristics

Number of positions	9
Connection profile	D-SUB 9
Insertion/withdrawal cycles	≥ 200
Connection method	Solder connection
Insertion force per signal contact	≤ 3.40 N

Ambient conditions

Ambient temperature (operation)	-55 °C ... 125 °C
---------------------------------	-------------------

Material data

Inflammability class according to UL 94	V0
Housing material	Steel
Housing surface material	Tin-plated
Contact carrier material	PBT-GF
Contact material	Copper alloy
Contact surface material	Gold over nickel

D-SUB contact insert - VS-09-ST-DSUB-LH-B - 1654785

Technical data

Electrical characteristics

Rated voltage (III/3)	125 V
Rated surge voltage	1 kV
Rated current	5 A

Classifications

eCl@ss

eCl@ss 4.0	27140816
eCl@ss 4.1	27260701
eCl@ss 5.0	27260701
eCl@ss 5.1	27260701
eCl@ss 6.0	27260705
eCl@ss 7.0	27440309
eCl@ss 8.0	27440309

ETIM

ETIM 2.0	EC000438
ETIM 3.0	EC000438
ETIM 4.0	EC000438
ETIM 5.0	EC000438

UNSPSC

UNSPSC 6.01	30211923
UNSPSC 7.0901	39121522
UNSPSC 11	39121522
UNSPSC 12.01	39121522
UNSPSC 13.2	39121522

Approvals

Approvals

Approvals

GOST

Ex Approvals

D-SUB contact insert - VS-09-ST-DSUB-LH-B - 1654785

Approvals

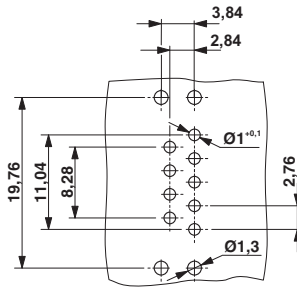
Approvals submitted

Approval details



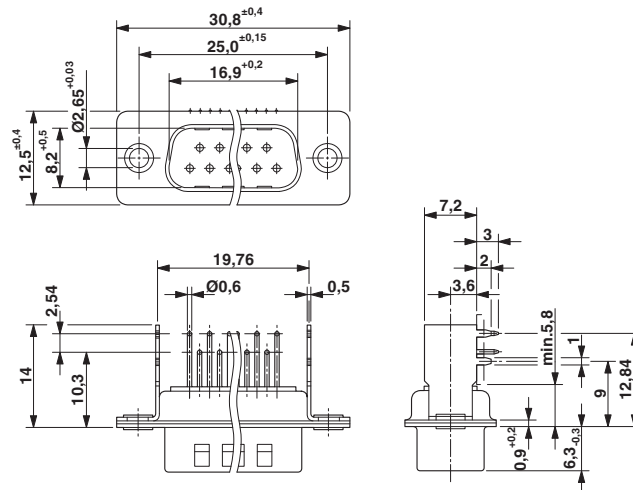
Drawings

Drilling diagram



Drilling diagram

Dimensioned drawing



D-SUB contact insert

