

FEATURES

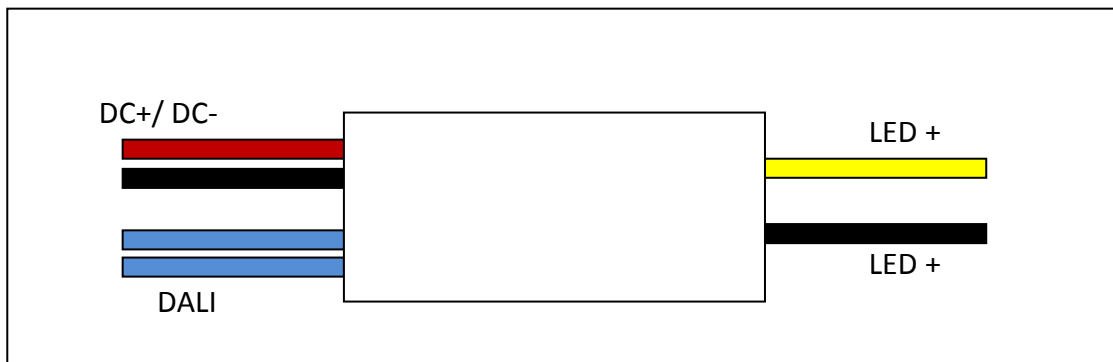
- 48V DC Output Max.
- Output Current: 100mA ~ 1A. (Adjustable)
- Programmable SCP/OCP
- Power Load Change Detection and Protection (Programmable)
- Eye-Protection Dimming Tech.
- DALI Digital Dimming Interface (IEC 62386 – 102/207)
- Comply with Global Safety Regulations
- Residential and Commercial Use



PRODUCT SPECIFICATIONS

Model		DAL030N102PON0-00G	DAL030N501PON0-00G
Output	DALI Bus	3V ~ Vin – 3V	3V ~ Vin – 3V
	Max. Current	1A	500mA
	Min. Current	550mA	100mA
	Power	40 W	25 W
	Ripple Current	< 80mA	< 80mA
Input	Voltage	12V ~ 50V	12V ~ 50V
	Efficiency	> 85 %	> 85 %
	Inrush Current	N/A	N/A
	Leakage Current	< 0.75mA	< 0.75mA
	Standby Power	< 0.5W	< 0.5W
Protection	SCP	LED Vf < 2V (Programmable)	LED Vf < 2V (Programmable)
	OCP	LED Vf > (Vin – 2V)(Programmable)	LED Vf > (Vin – 2V)(Programmable)
	Load Change Detection	Detect, record, and check power load change (Follow DALI regulation)	Detect, record, and check power load change (Follow DALI regulation)
Environment	Working Temp.	-30 ~ +40°C	-30 ~ +40°C
	Working Humidity	20 ~ 95%	20 ~ 95%
	Storage	-40 ~ 80°C, 10 ~ 95%	-40 ~ 80°C, 10 ~ 95%
Dimming Interface	DALI Interface	DALI IEC 62386, - 102, -207	DALI IEC 62386, - 102, -207
	Dimming Mode	Dual Mode: PWM Mode with min. 0.05% output Eye-protection Mode with min. 5% output (Depends on LED, adjustable dimming curve)	Dual Mode: PWM Mode with min. 0.05% output Eye-protection Mode with min. 5% output (Depends on LED, adjustable dimming curve)

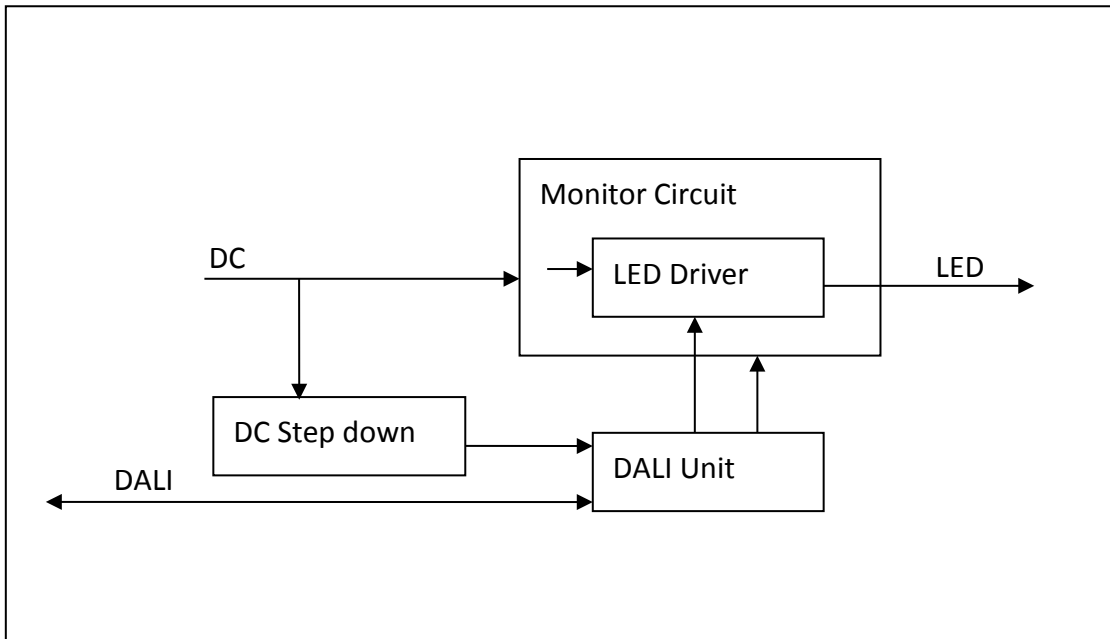
Wiring



Micro-Switch Current List

	DAL030N102PON0-00G	DAL030N501PON0-00G
Switch 1	Increase 30mA	Increase 25mA
Switch 2	Increase 60mA	Increase 50mA
Switch 3	Increase 120mA	Increase 100mA
Switch 4	Increase 240mA	Increase 200mA

Functional Block



Dimensions

* REFERENCE: www.linkcom.com.tw