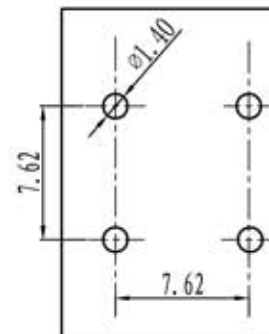
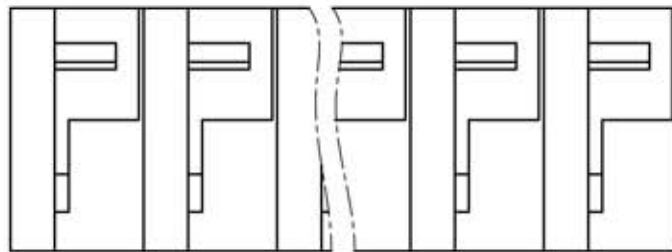
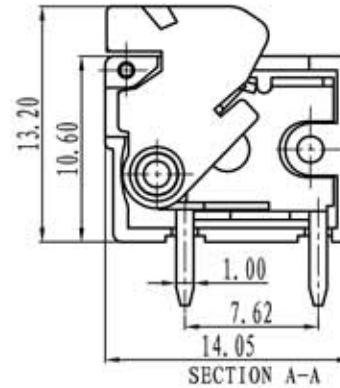
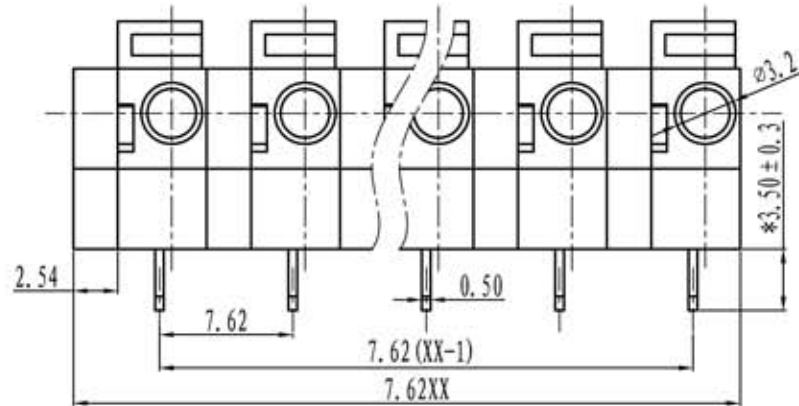


euro-block

product specification



Electrical

Standard: UL-IEC
 Rated voltage: 300V-250V
 Rated current: 10A-15A
 Insulation resistance: 500M Ω /DC500V
 Wire range: 22-16AWG 1.5mm²
 Withstanding voltage: AC2000V/1Min

Mechanical

Temp.Range: -40°C~+105°C
 MAX soldering: +250°C for 5 sec
 Strip length: 10mm

Dimensions

Pitch: 7.62mm
 Poles: 1p-xxp

Material

Housing: PA66, UL94V-0
 Wire guard: stainless steel (SUS301)
 Pin header: Brass, Tin plated

TOLERANCES EXCEPT AS NOTED

variable range	linear dimension					fillet	chamfer	short angle sid				≡	-	□	//	⊥	
	to 6	over 6 to 30	over 30 to 120	over 120 to 480	over 480 to	all	to 6	to 10	to 30'	to 50'	to 120'						to 5
tolerance	±0.1	±0.2	±0.3	±0.5	±0.9	±0.2	±0.5	±1	1'	30'	20'	10'	0.5	0.025	0.06	0.12	0.4

UNITS	mm	SIZE	A4	SCALE	FIRST ANGLE PROJECTION	
					NAME	MRM7-7.62-H