

Features

- V_F , R_D and C_J Matching Options
- Chip, Beam Lead and Packaged Devices
- Hi-Rel Screening per MIL-PRF-19500 and MIL-PRF-38534 Available



Description

The MSS40-xxx-x Series of Schottky diodes are fabricated on N-Type epitaxial substrates using proprietary processes that yield the highest FCOs in the industry. Optimum mixer performance is obtained with LO power of 0 dBm to +6 dBm per diode.

Chip

Electrical Specifications: $T_A = 25^\circ\text{C}$

Model	Configuration	V_F Typ. V	V_{BR} Min. V	C_J Typ. / Max. pF	R_S Typ. Ω	R_D Max. Ω	F_{CO} Typ. GHz	Outline
MSS40-045-C15	Single Junction	0.42	3	0.09 / 0.12	7	15	253	C15
MSS40-048-C15	Single Junction	0.40	3	0.12 / 0.15	7	15	190	C15
Test Conditions		$I_F = 1 \text{ mA}$	$I_R = 10 \mu\text{A}$	$V_R = 0 \text{ V}$ $F = 1 \text{ MHz}$	$I = 5 \text{ mA}$			

Beam Lead

Electrical Specifications: $T_A = 25^\circ\text{C}$

Model	Configuration	V_F Typ. V	V_{BR} Min. V	C_J Typ. / Max. pF	R_S Typ. Ω	R_D Max. Ω	F_{CO} Typ. GHz	Outline
MSS40-141-B10B	Single Junction	0.42	3	0.06 / 0.10	10	22	265	B10B
MSS40-148-B10B	Single Junction	0.40	3	0.12 / 0.15	7	17	190	B10B
MSS40-155-B10B	Single Junction	0.38	3	0.25 / 0.30	5	13	127	B10B
MSS40-244-B20	Series Tee	0.44	3	0.08 / 0.12	19	22	105	B20
MSS40-248-B20	Series Tee	0.44	3	0.12 / 0.15	10	17	133	B20
MSS40-255-B20	Series Tee	0.38	3	0.25 / 0.30	5	15	127	B20
MSS40-448-B41	Ring Quad	0.40	3	0.12 / 0.15	7	17	190	B41
MSS40-455-B40	Ring Quad	0.38	3	0.25 / 0.30	5	17	127	B40
Test Conditions		$I_F = 1 \text{ mA}$	$I_R = 10 \mu\text{A}$	$V_R = 0 \text{ V}$ $F = 1 \text{ MHz}$	$I = 5 \text{ mA}$			

(Continued next page)

Packaged

Electrical Specifications: $T_A = 25^\circ\text{C}$

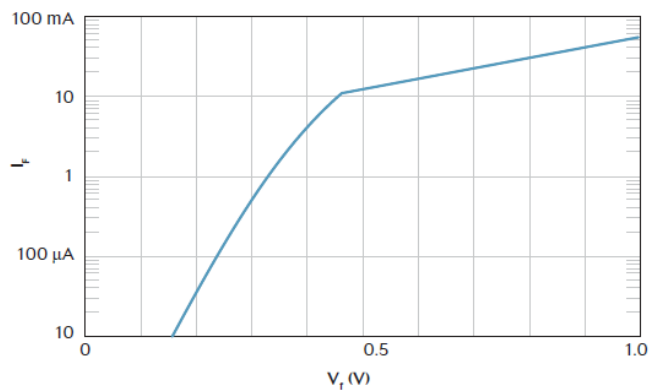
Model	Configuration	V_F Typ. V	V_{BR} Min. V	C_J Typ. / Max. pF	R_S Typ. Ω	R_D Max. Ω	F_{CO} Typ. GHz	Outline
MSS40-045-P55	Single Junction	0.42	3	0.21 / 0.27	7		253	P55
MSS40-045-P86	Single Junction	0.42	3	0.24 / 0.30	7		253	P86
MSS40-048-P55	Single Junction	0.40	3	0.24 / 0.30	7		190	P55
MSS40-048-P86	Single Junction	0.40	3	0.27 / 0.33	7		190	P86
MSS40-141-E25	Single Junction	0.42	3	0.16 / 0.22	10		265	E25
MSS40-141-H20	Single Junction	0.42	3	0.24 / 0.30	10		265	H20
MSS40-148-E25	Single Junction	0.40	3	0.22 / 0.28	7		190	E25
MSS40-148-H20	Single Junction	0.40	3	0.30 / 0.36	7		190	H20
MSS40-155-E25	Single Junction	0.38	3	0.35 / 0.41	5		127	E25
MSS40-155-H20	Single Junction	0.38	3	0.43 / 0.50	5		127	H20
MSS40-244-E35	Series Tee	0.44	3	0.18 / 0.24	19		105	E35
MSS40-248-E35	Series Tee	0.44	3	0.22 / 0.28	10		133	E35
MSS40-255-E35	Series Tee	0.38	3	0.35 / 0.41	5		127	E35
MSS40-448-E45	Ring Quad	0.40	3	0.24 / 0.30	7		190	E45
MSS40-455-E45	Ring Quad	0.38	3	0.32 / 0.38	5		127	E45
MSS40-455-H40	Ring Quad	0.38	3	0.42 / 0.48	5		127	H40
Test Conditions		$I_F = 1 \text{ mA}$	$I_R = 10 \mu\text{A}$	$V_R = 0 \text{ V}$ $F = 1 \text{ MHz}$	$I = 5 \text{ mA}$			

Absolute Maximum Ratings

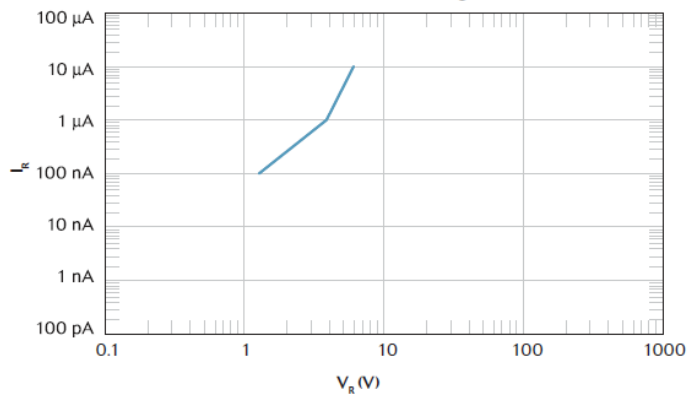
Parameters	Rating
Reverse Voltage	Rated V_{BR}
Forward Current	50 mA
Power Dissipation	100 mW, per junction @ $T_A = 25^\circ\text{C}$, derate linearly to 0 @ $T_A = +150^\circ\text{C}$
Operating Temperature	-65°C to $+150^\circ\text{C}$
Storage Temperature	-65°C to $+150^\circ\text{C}$
Soldering Temperature (packaged)	$+230^\circ\text{C}$ for 5 seconds
Beam Lead Pull Strength	4 G minimum

Typical Performance Curves: $T_A = 25^\circ\text{C}$

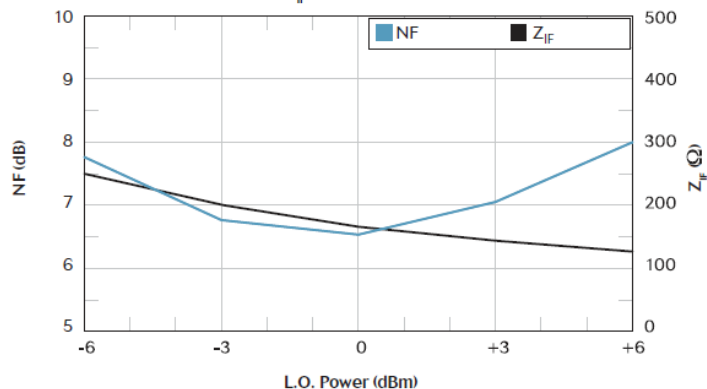
Forward Voltage vs. Current



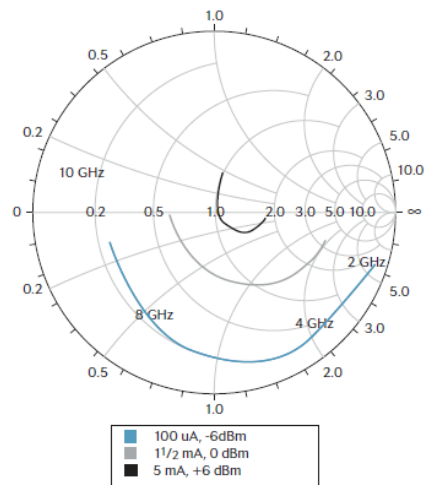
Reverse Current vs. Voltage



NF & Z_{IF} vs. LO Power



Smith Chart - 50 Ω Reference



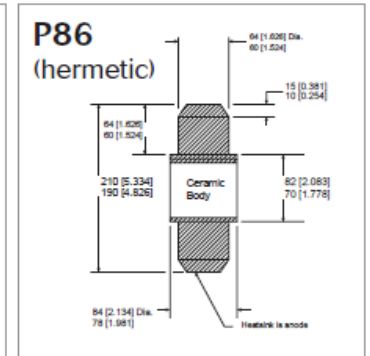
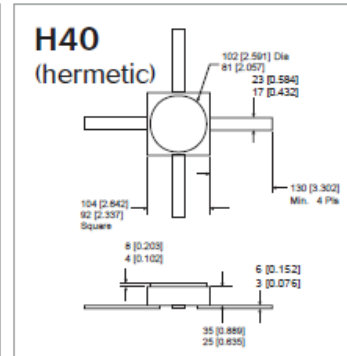
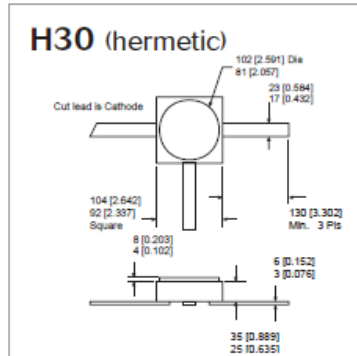
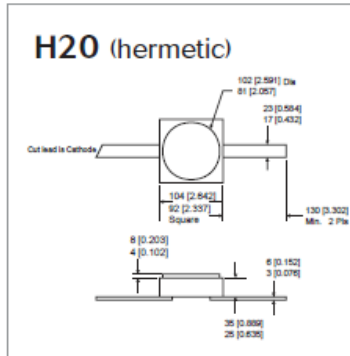
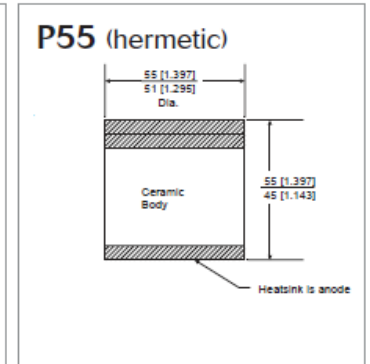
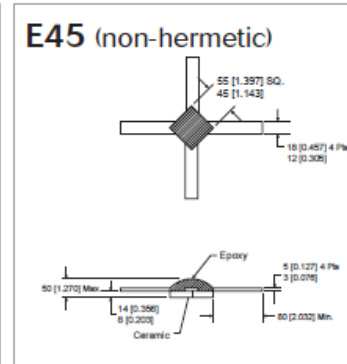
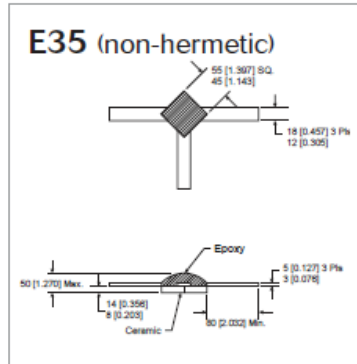
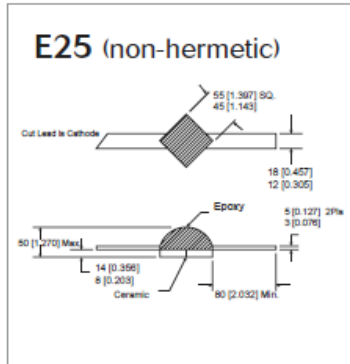
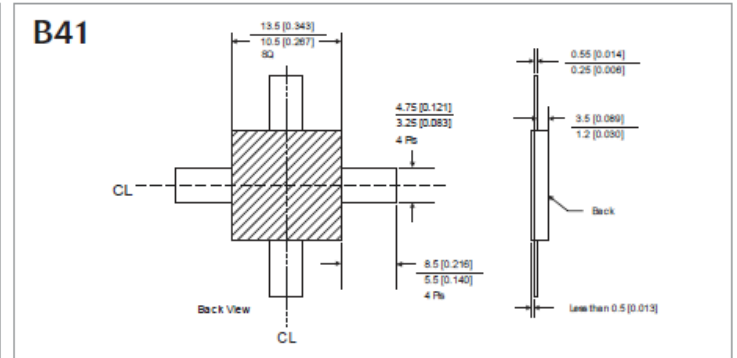
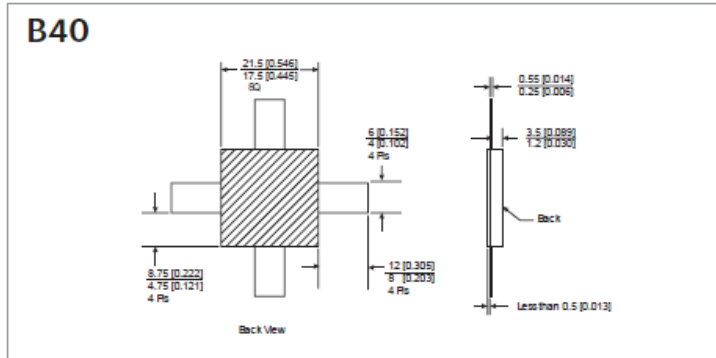
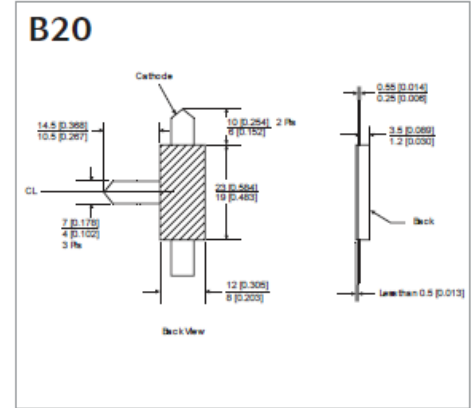
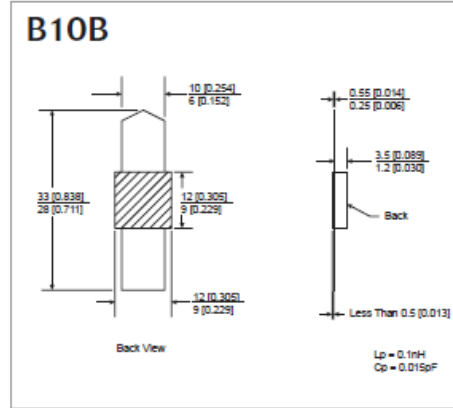
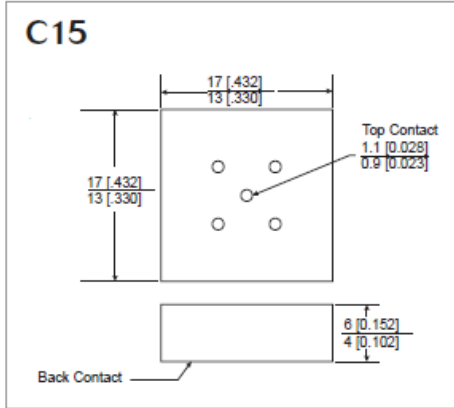
MSS40-xxx-x Series



Medium Barrier Silicon Schottky Diodes

Rev. V1

Outline Drawings



MACOM Technology Solutions Inc. All rights reserved.

Information in this document is provided in connection with MACOM Technology Solutions Inc ("MACOM") products. These materials are provided by MACOM as a service to its customers and may be used for informational purposes only. Except as provided in MACOM's Terms and Conditions of Sale for such products or in any separate agreement related to this document, MACOM assumes no liability whatsoever. MACOM assumes no responsibility for errors or omissions in these materials. MACOM may make changes to specifications and product descriptions at any time, without notice. MACOM makes no commitment to update the information and shall have no responsibility whatsoever for conflicts or incompatibilities arising from future changes to its specifications and product descriptions. No license, express or implied, by estoppel or otherwise, to any intellectual property rights is granted by this document.

THESE MATERIALS ARE PROVIDED "AS IS" WITHOUT WARRANTY OF ANY KIND, EITHER EXPRESS OR IMPLIED, RELATING TO SALE AND/OR USE OF MACOM PRODUCTS INCLUDING LIABILITY OR WARRANTIES RELATING TO FITNESS FOR A PARTICULAR PURPOSE, CONSEQUENTIAL OR INCIDENTAL DAMAGES, MERCHANTABILITY, OR INFRINGEMENT OF ANY PATENT, COPYRIGHT OR OTHER INTELLECTUAL PROPERTY RIGHT. MACOM FURTHER DOES NOT WARRANT THE ACCURACY OR COMPLETENESS OF THE INFORMATION, TEXT, GRAPHICS OR OTHER ITEMS CONTAINED WITHIN THESE MATERIALS. MACOM SHALL NOT BE LIABLE FOR ANY SPECIAL, INDIRECT, INCIDENTAL, OR CONSEQUENTIAL DAMAGES, INCLUDING WITHOUT LIMITATION, LOST REVENUES OR LOST PROFITS, WHICH MAY RESULT FROM THE USE OF THESE MATERIALS.

MACOM products are not intended for use in medical, lifesaving or life sustaining applications. MACOM customers using or selling MACOM products for use in such applications do so at their own risk and agree to fully indemnify MACOM for any damages resulting from such improper use or sale.