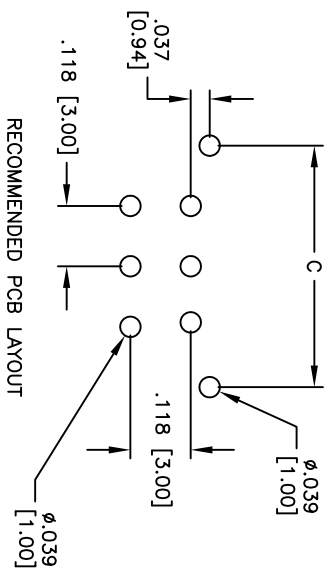
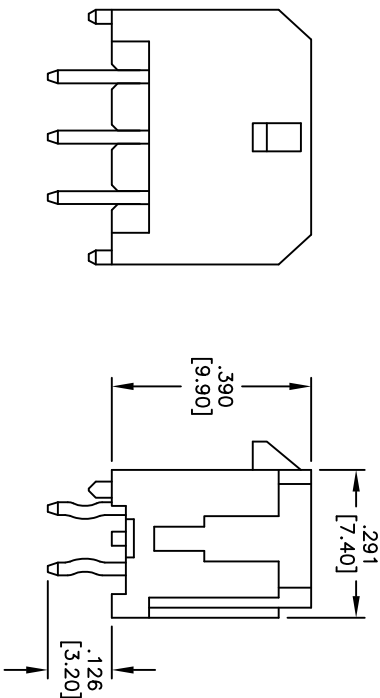
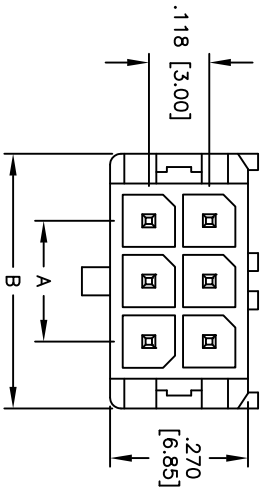


Rev	AWO #	Description	Date	Appr
-		RELEASED	7/16/09	

APPROVED: _____
 DATE: _____ TITLE: _____



POSITIONS	Dimension		
	A	B	C
2	NA	.262 [6.65]	.236 [6.00]
4	.118 [3.00]	.380 [9.65]	.354 [9.00]
6	.236 [6.00]	.498 [12.65]	.472 [12.00]
8	.354 [9.00]	.616 [15.65]	.591 [15.00]
10	.472 [12.00]	.734 [18.65]	.709 [18.00]
12	.591 [15.00]	.852 [21.65]	.827 [21.00]
14	.709 [18.00]	.970 [24.65]	.945 [24.00]
16	.827 [21.00]	1.088 [27.65]	1.063 [27.00]
18	.945 [24.00]	1.206 [30.65]	1.181 [30.00]
20	1.063 [27.00]	1.325 [33.65]	1.299 [33.00]
22	1.181 [30.00]	1.443 [36.65]	1.417 [36.00]
24	1.299 [33.00]	1.561 [39.65]	1.535 [39.00]

SPECIFICATIONS:
 Material: Nylon 46, rated UL 94V-0
 Insulator color: Black
 Contacts: Brass
 Plating: Matt Tin over Nickel underplate overall
 Operating voltage: 250V AC, DC
 Current rating: 5A AC, DC
 Insulation resistance: 1000 mohms min
 Dielectric withstanding voltage: 1500 VAC for 1 minute
 Temperature range: -40°C to +105°C
 Environmental: Lead free, RoHS compliant.
 Recommended soldering temp: 235°C for 5 sec.

UNLESS OTHERWISE SPECIFIED
 ALL DIMENSIONS ARE IN INCHES [MM]
 TOLERANCES: EXCEPT AS NOTED

INCHES	HOLES
.X ± .10	ØX ± .10
.XX ± .020	ØXX ± .015
.XXX ± .015	ØXXX ± .010

APPROVALS

DATE	DATE
7/16/09	

ADAM TECH
 909 Railway Avenue, Union, NJ 07083
 Phone: 908-687-5000 Fax: 908-687-5710

TITLE: .118 [3.00] DUAL ROW THRU HOLE HEADER
 VERTICAL TYPE

DRAWN	CHECKED	APPROVED	SIZE	PART NO.	SCALE	SHEET	REV.
DR			X	DML-XX-A-V-TA	NTS	1 OF 1	

