

# High Isolated Voltage SCR Trigger Transformer



Model:KMG209-301

**characteristics:**

Applicable for triggering single or double pulse SCR below 1000A.

**Technical indicators:**

Installation method: PCB

Flame resistance: UL94-V0

Operating temperature: -20°C~+50°C

Storage temperature: -40°C~+85°C

Frequency range: 1KHz~6KHz

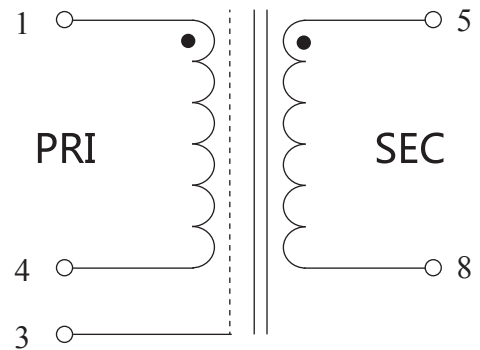
Dielectric strength: 15KV 50Hz 1min



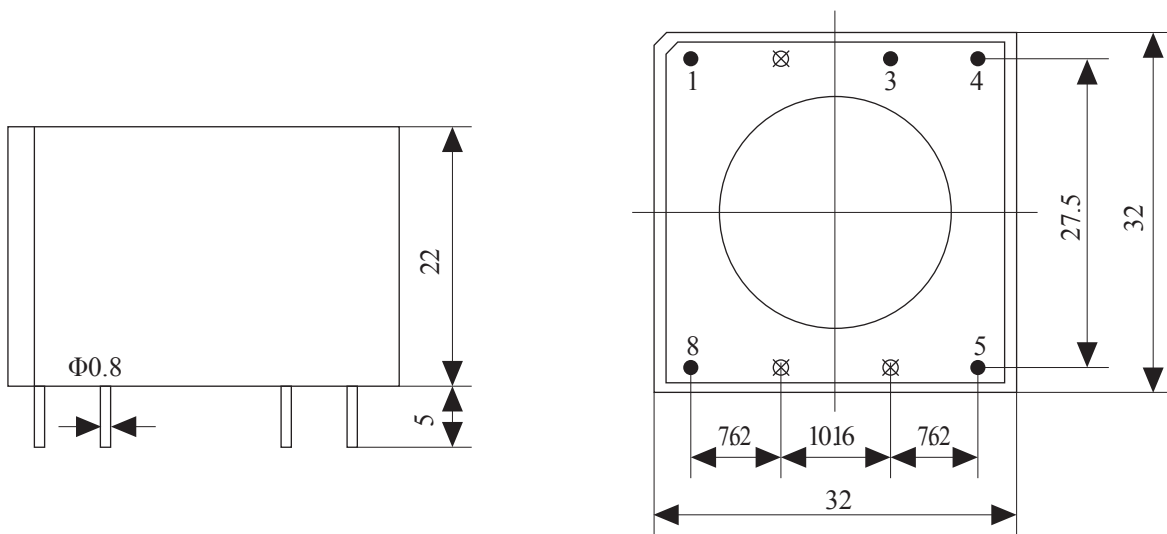
**Electrical parameters:**

Vout microsecond integral	4800	μvs
Pulse width (D=1:2)	200	μs
Ratio	3:1	
Input amplitude	24	V
Output amplitude	≥4	V
Load impedance	7	Ω
Leading edge time	<10	μs
Main circuit operating voltage	1.5K	V
Weight		g

**Connection diagram:**



**Dimensions (in mm) :**



Front View

Bottom View