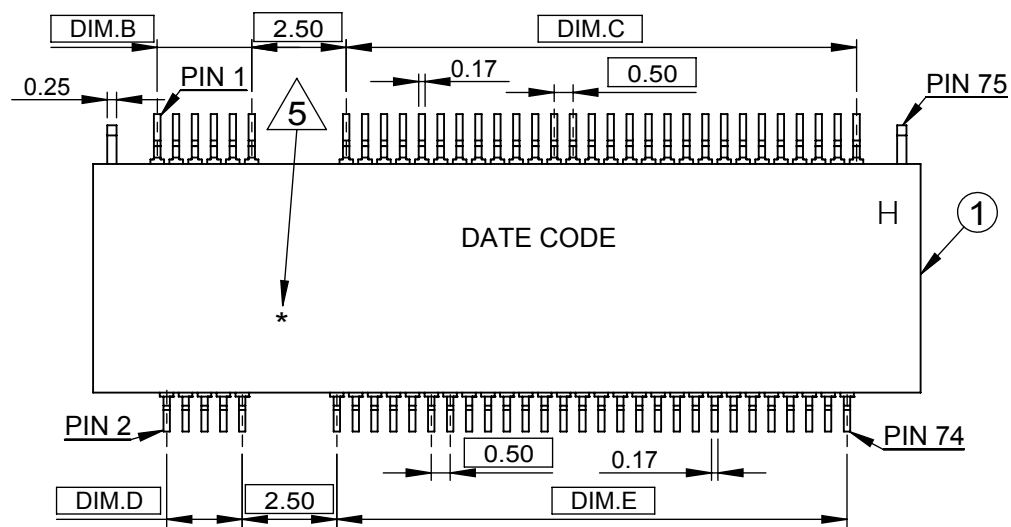
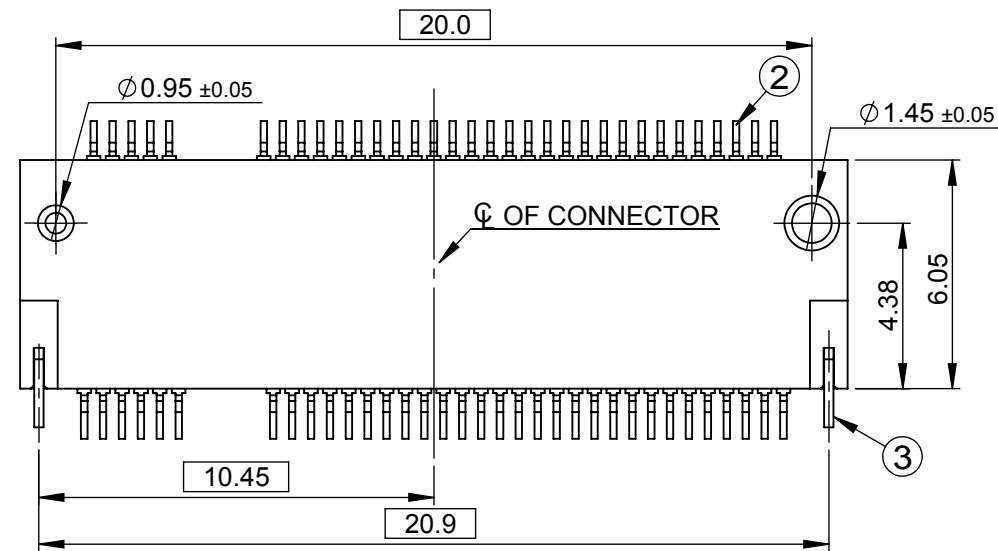
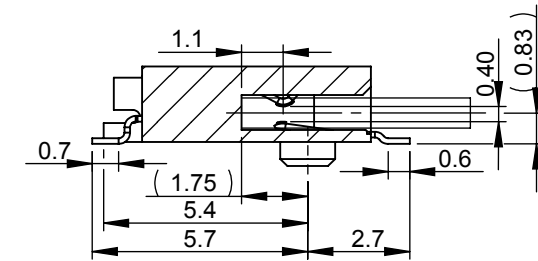
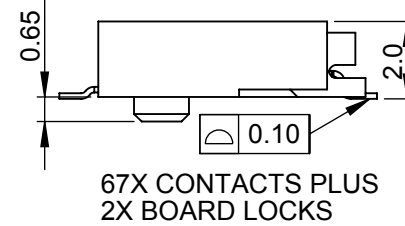
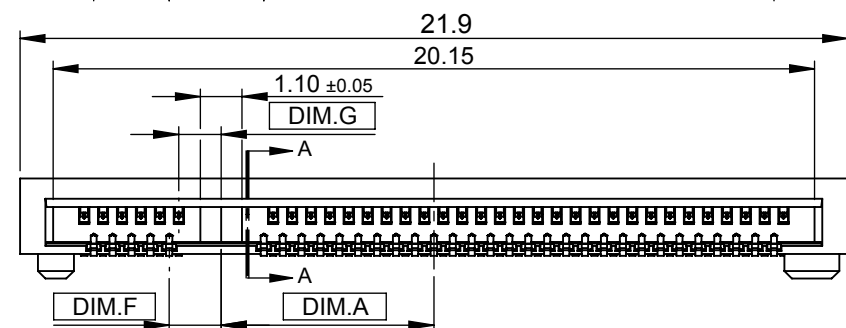


SOLIDWORK GENERATED DRAWING, DON'T CHANGE BY HAND

REV.	ECN. NO.	APPD.
A	BC-13-0001041	C.S.Li



- NOTES:
- ELECTRICAL CHARACTERISTICS:
    - CONTACT CURRENT RATING: 0.5 AMPERE MAX. PER PIN.
    - VOLTAGE RATING: 50V AC.
    - INSULATION RESISTANCE :500 MEGAOHMS MIN. AT 500V DC.
    - DIELECTRIC WITHSTANDING VOLTAGE: 300V AC RMS AT 60Hz, FOR 1 MINUTE.
    - CONTACT RESISTANCE: 55 MILLIOHMS MAX. PER PIN INITIAL.  
 $\Delta R=20$  MILLIOHMS MAX. PER PIN AFTER FULL ENVIRONMENT TESTING.
  - MECHANICAL CHARACTERISTICS: DURABILITY:60 MATING CYCLES.
  - OPERATION TEMPERATURE:-40°C TO +80°C.
  - PLEASE CONTACT FOXCONN SALES REPRESENTATIVE TO VERIFY PRODUCT DETAIL & AVAILABILITY.
  - KEY LABEL "\*" IS A CAPITAL LETTER PER THE PART NO.
  - RECOMMEND PROCESS CONDITION: SMT, PEAK TEMPERATURE: 260°C, 10~20s



KEY NAME	DIM.A	DIM.B	DIM.C	DIM.D	DIM.E	DIM.F	DIM.G	P/N
KEY M	-6.125	14.0	2.0	14.0	1.5	1.125	1.375	AS0BC2*-S20BM-7H
KEY L	-5.125	13.0	3.0	13.0	2.5	1.125	1.375	AS0BC2*-S20BL-7H
KEY K	-4.125	12.0	4.0	12.0	3.5	1.125	1.375	AS0BC2*-S20BK-7H
KEY J	-3.125	11.0	5.0	11.0	4.5	1.125	1.375	AS0BC2*-S20BJ-7H
KEY H	-2.125	10.0	6.0	10.0	5.5	1.125	1.375	AS0BC2*-S20BH-7H
KEY G	-1.125	9.0	7.0	9.0	6.5	1.125	1.375	AS0BC2*-S20BG-7H
KEY F	1.625	6.5	9.50	6.0	9.5	1.375	1.125	AS0BC2*-S20BF-7H
KEY E	2.625	5.5	10.50	5.0	10.5	1.375	1.125	AS0BC2*-S20BE-7H
KEY D	3.625	4.5	11.50	4.0	11.5	1.375	1.125	AS0BC2*-S20BD-7H
KEY C	4.625	3.5	12.50	3.0	12.5	1.375	1.125	AS0BC2*-S20BC-7H
KEY B	5.625	2.5	13.50	2.0	13.5	1.375	1.125	AS0BC2*-S20BB-7H
KEY A	6.625	1.5	14.50	1.0	14.5	1.375	1.125	AS0BC2*-S20BA-7H

ITEM	DESCRIPTION	MATERIAL	Q'TY	TREATMENT
3	BOARD LOCK	STAINLESS STEEL	2	10u" NICKEL UNDER PLATING 100u" MATTE TIN PLATING OVER ALL
2	CONTACT	COPPER ALLOY	67	50u" NICKEL UNDER PLATING GOLD FLASH PLATING AT TAIL AREA 10u" GOLD PLATING OR GOLD FLASH AT CONTACT AREA
1	HOUSING	THERMOPLASTIC	1	UL94V-0, HALOGEN FREE, BLACK COLOR

PART NO. DESCRIPTION: A S 0 BC 2 \* - S 20 B \* - 7 H

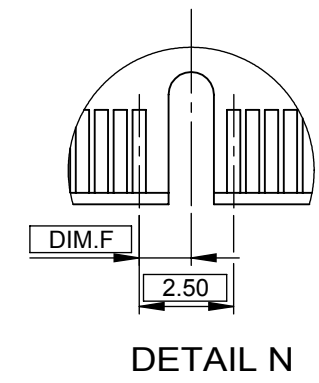
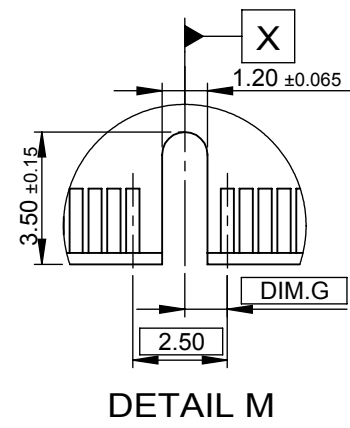
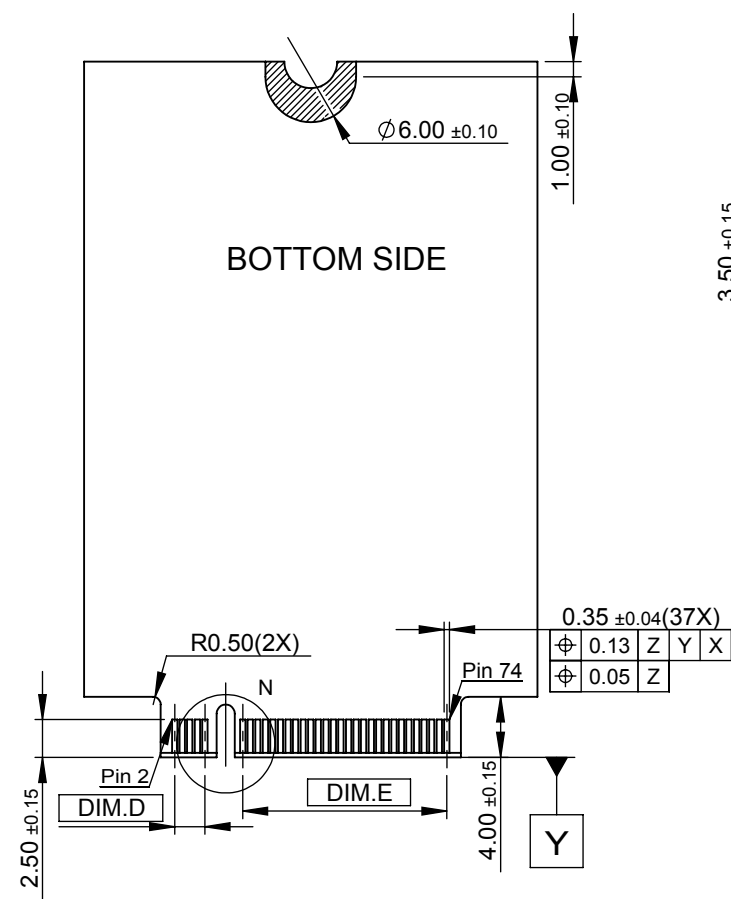
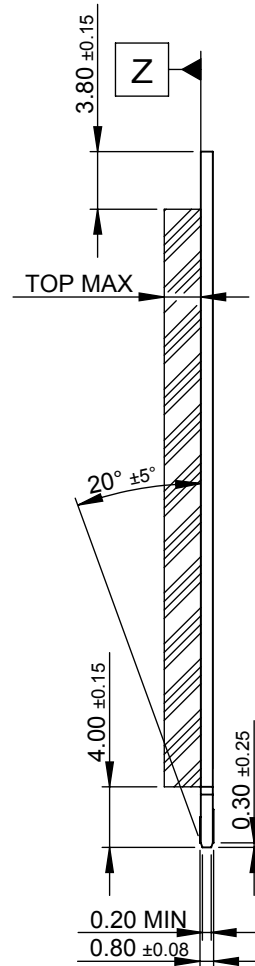
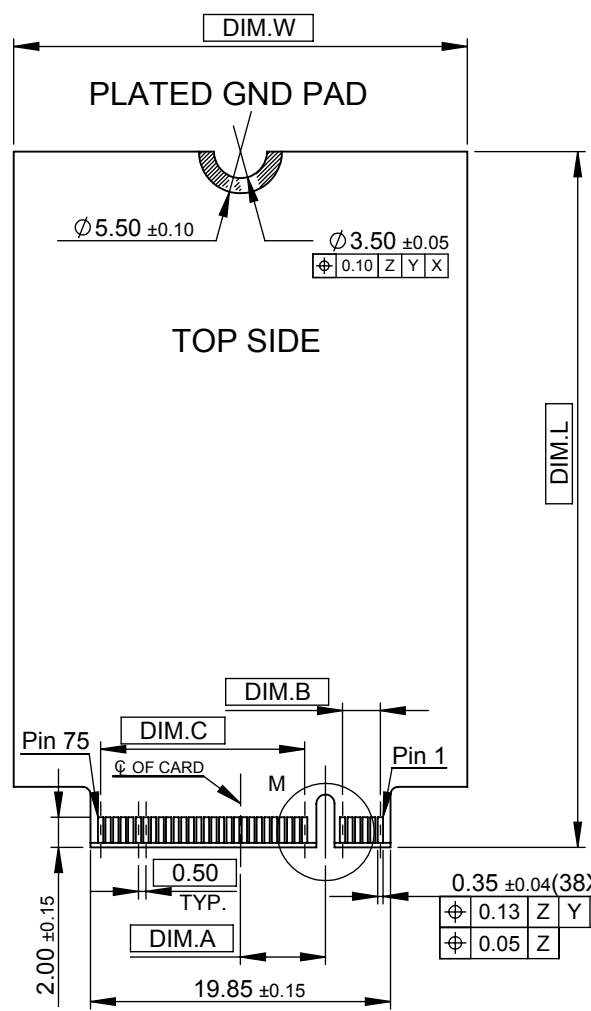
MEMORY MODULE SOCKET  
 HORIZONTAL TYPE  
 SINGLE ROW  
 BC=0.5P NGFF  
 SMT  
 CONTACT AREA PLATING  
 1=GOLD FLASH  
 6=10u" GOLD PLATING

H=HALOGEN/LEAD FREE  
 7=TAPE&REEL  
 KEY NAME  
 B=BLACK COLOR  
 20=2.0mm HEIGHT  
 STANDARD TYPE

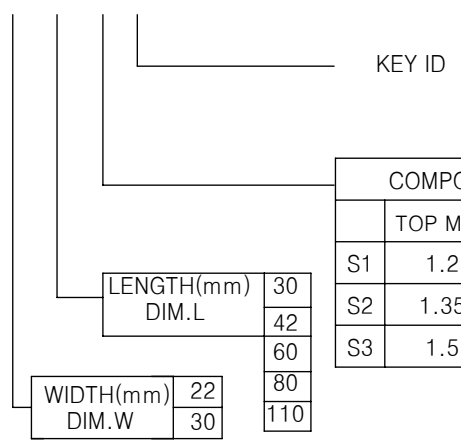
x. ± 0.30	x° ± 2°	UNITS mm	NAME (INTENDED USE)	<b>FOXCONN</b> HON HAI PRECISION IND. CO., LTD. TAIPEI, TAIWAN, R.O.C.
.x ± 0.25	.x° ± 1°	MAT'L	NGFF CONNECTOR	
.xx ± 0.15	.xx° ±	FINISH	PART NO. (INTENDED USE)	TITLE:
.xxx ±	.xxx° ±	Q'TY	AS0BC2*-S20B*-7H	CUSTOMER DRAWING
THESE DRAWINGS AND SPECIFICATIONS ARE THE PROPERTY OF HON HAI PRECISION IND. CO., LTD. AND SHALL NOT BE REPRODUCED, COPIED OR USED IN ANY MANNER WITHOUT THE PRIOR WRITTEN CONSENT OF HON HAI PRECISION IND. CO., LTD.			APPD: C.S.Li	DWG NO.:
			CHKD: Alex Wang	317-0000-2158
			DR: FL Liu 2013/2/1	SCALE SHEET REV.
				N/A 1/4 A

SOLIDWORK GENERATED DRAWING, DON'T CHANGE BY HAND

REV.	FCN	NO	APPD.



TYPE XX XX-XX-X



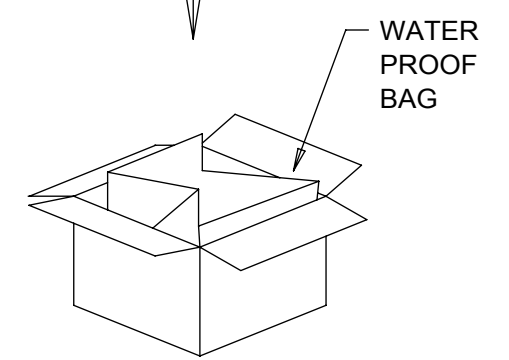
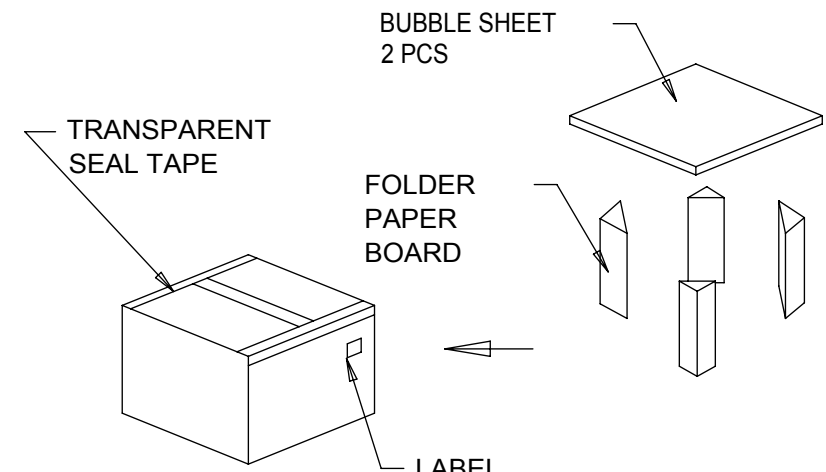
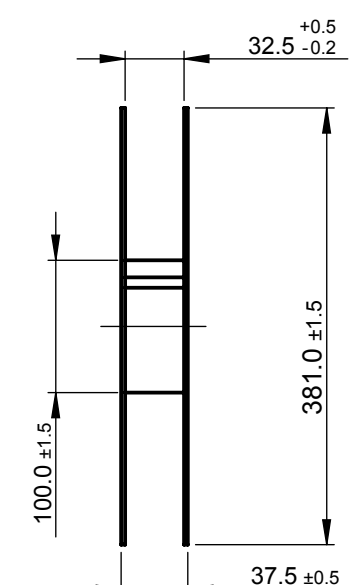
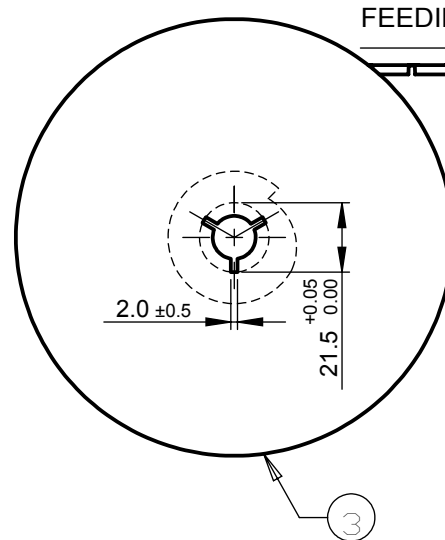
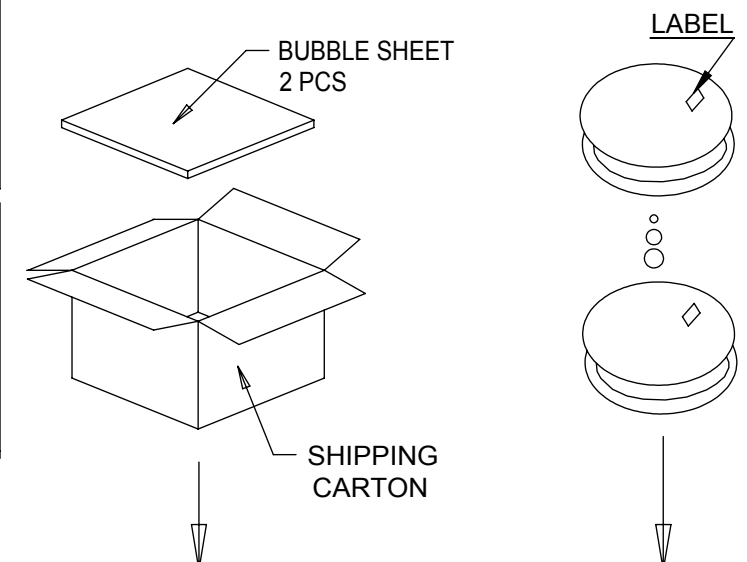
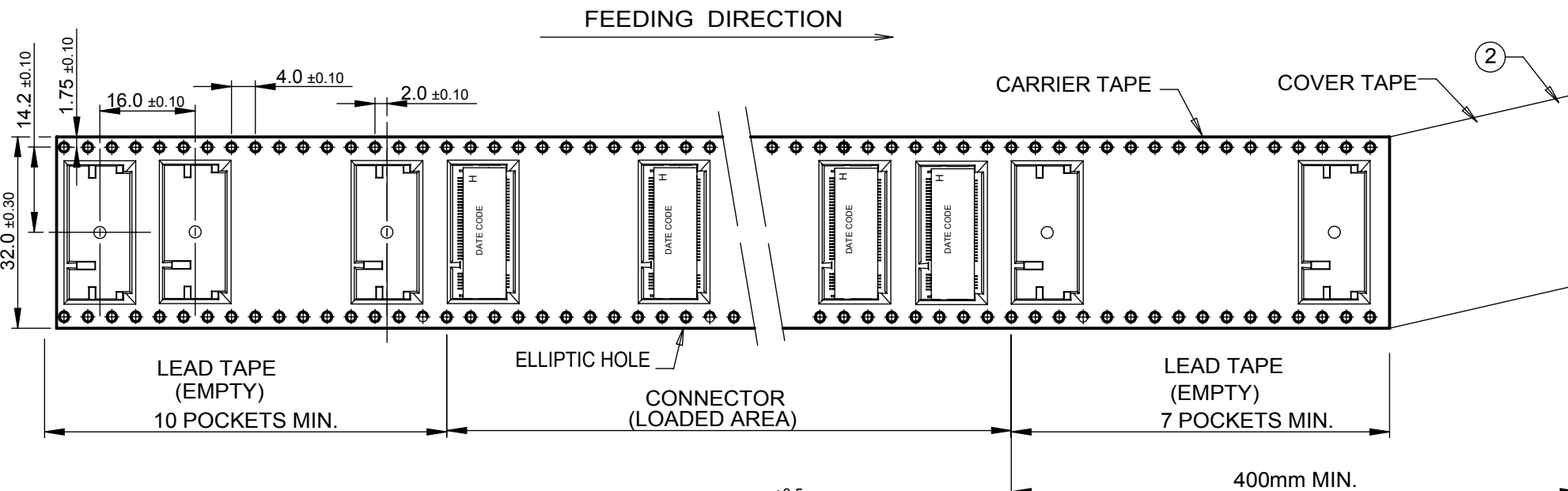
	COMPONENT MAX H	
	TOP MAX	BOTTOM MAX
S1	1.2	0
S2	1.35	0
S3	1.5	0

X. ± 0.15	X. ° ±	UNITS mm	NAME (INTENDED USE) NGFF CONNECTOR	FOXCONN HON HAI PRECISION IND. CO., LTD. TAIPEI, TAIWAN, R.O.C.
.X ± 0.10	.X ° ±			
.XX ± 0.05	.XX ° ±	FINISH	PART NO. (INTENDED USE) AS0BC2*-S20B*-7H	TITLE: CUSTOMER DRAWING
.XXX ±	.XXX ° ±		Q'TY	APPD: C.S.Li
THESE DRAWINGS AND SPECIFICATIONS ARE THE PROPERTY OF HON HAI PRECISION IND. CO., LTD. AND SHALL NOT BE REPRODUCED, COPIED OR USED IN ANY MANNER WITHOUT THE PRIOR WRITTEN CONSENT OF HON HAI PRECISION IND. CO., LTD.			CHKD: Alex Wang	SCALE SHEET REV. N/A 2/4 A
			DR: FL Liu	



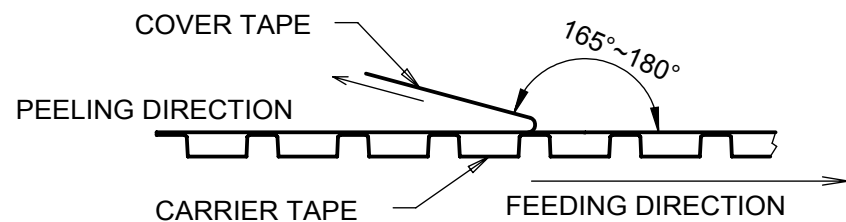
SOLIDWORKS GENERATED DRAWING, DO NOT CHANGE BY HAND

REV.	ECN.	NO.	APPD.
------	------	-----	-------



NOTES:

- COVER TAPE PEELING STRENGTH : 0.01 kgf MIN & 0.13 kgf MAX. AT 300mm/min.
- 10 POCKETS HOLE PITCH CUMULATIVE TOLERANCE ±0.20mm.



③	REEL	POLYSTYRENE
②	COVER TAPE	POLYESTER
①	CARRIER TAPE	POLYSTYRENE
ITEM	DESCRIPTION	MATERIAL

X. ± 0.30	X. ° ± °	UNITS mm	NAME(INTENDED USE)	<b>FOXCONN</b> HON HAI PRECISION IND. CO.,LTD. TAIPEI, TAIWAN, R.O.C.	
.X ± 0.25	.X ° ± °	MAT'L	NGFF CONNECTOR		
.XX ± 0.15	.XX ° ± °	FINISH	PART NO.(INTENDED USE)	TITLE:	
.XXX ±	.XXX ° ± °		AS0BC2*-S20B*-7H	CUSTOMER DRAWING	
THESE DRAWINGS AND SPECIFICATIONS ARE THE PROPERTY OF HON HAI PRECISION IND. CO., LTD. AND SHALL NOT BE REPRODUCED. COPIED OR USED IN ANY MANNER WITHOUT THE PRIOR WRITTEN CONSENT OF HON HAI PRECISION IND. CO., LTD.			APPD: C.S.Li	DWG NO.:	
			CHKD: Alex Wang	317-0000-2158	
			DR: FL Liu	2013/2/1	
			SCALE	SHEET	REV.
			N/A	4/4	A

AS0BC2*-S20B*-7H	1600	7	11200
P/N	PCS/REEL	REEL/BOX	PCS/BOX