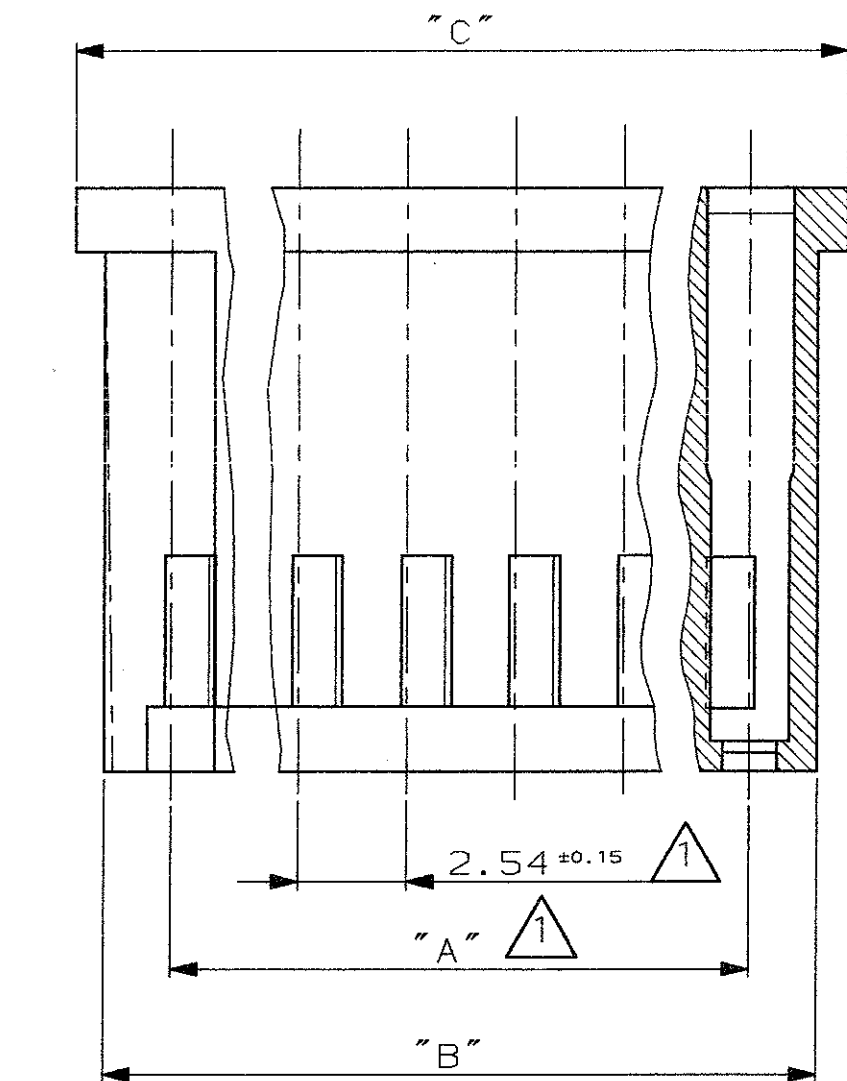
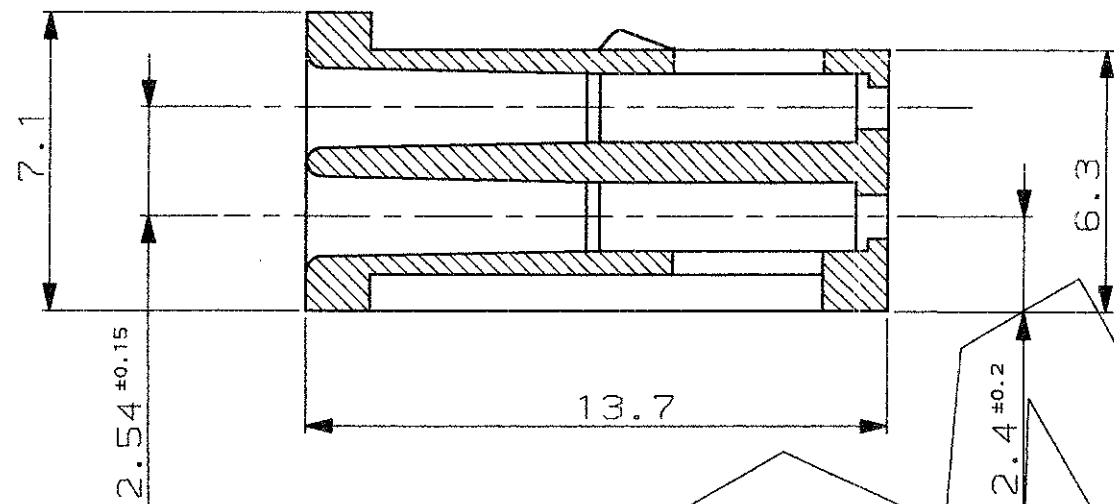
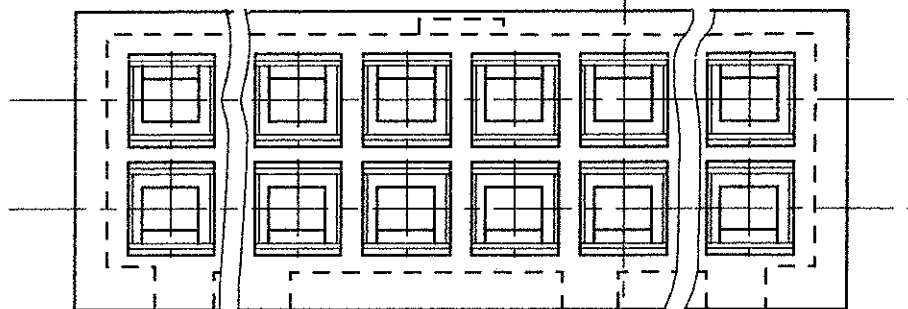


SECTION A-A

SCALA NON IMPEGNATIVA
(DO NOT SCALE)
DIMENSIONI IN mm
(DIMENSIONS IN mm)

METRIC

PROIEZIONE AMERICANA
(THIRD ANGLE PROJECTION)



1 Tolleranza non cumulativa
(Non-cumulative tolerance)

Nr. Pos.	Part Number	Dim "A"	Dim "B"	Dim "C"
5	284123-1	10.16	13.2	14.7
22	280369	53.34	56.4	57.9
8	281018	43.18	46.2	47.8
15	280368	35.56	38.6	40.1
12	280515	27.94	31	32.5
9	280513	20.32	23.3	24.9
8	280366	17.78	20.8	22.3
6	282792-1	12.7	15.7	17.2
4	280365	7.62	10.6	12.2

CUSTOMER DRAWING
FOR REFERENCE ONLY

DISEGNO PER CLIENTE
SOLO PER RIFERIMENTO

THIS DRAWING IS UNPUBLISHED RELEASE FOR PUBLICATION 19

© COPYRIGHT 19 BY AMP INCORPORATED, HARRISBURG, PA. ALL INTERNATIONAL RIGHT RESERVED. AMP PRODUCTS MAY BE COVERED BY U.S. AND FOREIGN PATENT AND/OR PATENT PENDING

TOLLERANZE, SE NON DIVERSAMENTE SPECIFICATO MATERIALI (MATERIALS) SCALA (SCALE)

NORYL (UL94-V1)

Colore nero (Black colour)

AMP AMP ITALIA S.p.A.
Corso F.lli Cervi, 15
COLLEGNO (TORINO)

Z	RELEASED FOR PRODUCTION P/N 284123-1 PER ET00-0301-98	F.B.	19MAY 98
U1	MODIFIED PER ET00-0150-98	F.B.	19MAY 1998
U	NOT YET RELEASED FOR PRODUCTION P/N 284123-1 PER ET00-0112	F.B.	04MAY 98
B	RELEASED FOR PROD. P/N 282792-1 (ET00-0452-96)	C.P.	21-10 '96
A	-REDRAWN BY CAD -ADDED 6x2 POSITION PER ET00-0053-96	M.S.	5-2 '96

(TOLERANCES, UNLESS OTHERWISE SPECIFIED) ± 0.3
ANGOLI (ANGLES) ± 2°
DIS. (DR.) M. SCOMPARI 2 JAN 96
CONT. R. CANTORE (CHK) 2 JAN 96
APP. (APP.)

DESCRIZIONE (DESCRIPTION) AMPMODU Mod. II Rec.

HSG, Double Row, Crimp Snap-in.

LOC. SIZE NUMERO (DWG NO) REV. FOGLIO (SHEET)

I A3 C - 280365 Z 1 D1 (OF) 1

DISTRIBUZIONE (PRINT DIST.)