

● Product Picture/产品外观图片

● Features/产品特性描述

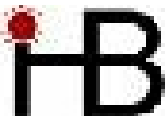
1. Emitted Color/发光颜色: Pure White/正白、Warm White/暖白、Red/红、Yellow/黄、Blue/蓝、Green/绿
2. Lens Appearance/发光体种类: Water Clear/透明
3. Material of crust /外壳材质: Aluminum hull /铝质外壳
4. CE Approved /产品安全规范符合 CE 标准
5. RoHS Compliant /产品符合欧盟相关 RoHS 法规
6. Base Type /接口类型: GU10
7. Choices of luminous intensities for indoor application/选择的发光强度适合于室内照明
8. The useful lifetime of the product is more than 30000 hours/
该产品使用寿命超过 30000 小时

● Absolute Maximum Ratings /产品的极限使用条件

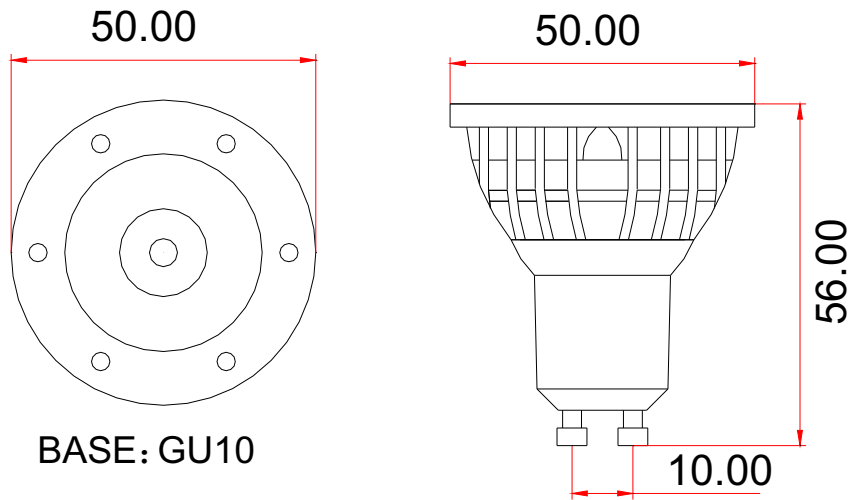
Parameter /项目 Sy	mbol /代码	Rating /范围			Unit
		Min./最小值	Typ./标准值	Max./最大值	
Input Voltage AC /输入电压	V _{in}	90	230	245	V
AC Frequency /电压频率	F	47	50	63	Hz
Input Current AC/输入电流	I(rms)	0.015	0.02	0.03	A
Operating Tem./工作温度	T _a	-25	25	50	°C
Operating Hum./相对湿度	H _a	5%-95%(No Water/不结露)			-
Storage Tem./存储温度	T _s	-35~60			°C

● Electrical and optical characteristics (Ta=25°C) /产品的电气及光电参数

Parameter /项目	Condition /条件	Sy mbol /代码	Min. /最小值	Typ./标准值	Max./最大值	Unit
Power Dissipation /功率	V _{in} =230V~,50Hz	P _d	1.5	2	2.5	W
Luminous Flux /光通量	V _{in} =230V~,50Hz	IV(P)	60	70	90	Lm
		IV(W)	55	60	65	Lm
		IV(R)	40	50	55	Lm
		IV(Y)	40	50	55	Lm
		IV(B)	8	10	12	Lm
		IV(G)	60	70	85	Lm
Color Temperature /色温	V _{in} =230V~,50Hz	C.T.(P)	4000	6000	8000	K
		C.T.(W)	3000	3500	4000	K
		C.T.(R)	620	625	630	nm
		C.T.(Y)	585	590	595	nm
		C.T.(B)	465	470	475	nm
		C.T.(G)	520	525	530	nm
Viewing Angle /发光角度	V _{in} =230V~,50Hz	θ	-	30	-	Deg



● Package Dimensions /产品尺寸图



Notes /备注:

1. All dimensions are in millimeters. /所有的尺寸单位为 mm.
2. Tolerance is ± 0.5 mm unless otherwise specified. /默认的尺寸公差为 ± 0.5 mm.
3. Specifications are subject to change without notice. /产品外形若有变更, 恕不特别通知.

● Product Packaging Picture/产品包装

51X51X72mm

1PCS/

Notes /备注:

The outside box size should be set in accordance with the requirements of customer order/外箱尺寸依客户订单要求而定.