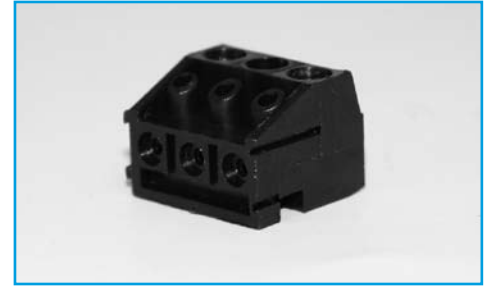




TERMINAL BLOCKS

10mm PITCH PLUG IN VERTICAL OR HORIZONTAL

- 10mm pitch
- Interlocking
- Test Probe facility
- Horizontal or vertical mounting
- 1.5mm² wire acceptance
- UL/ CSA approved

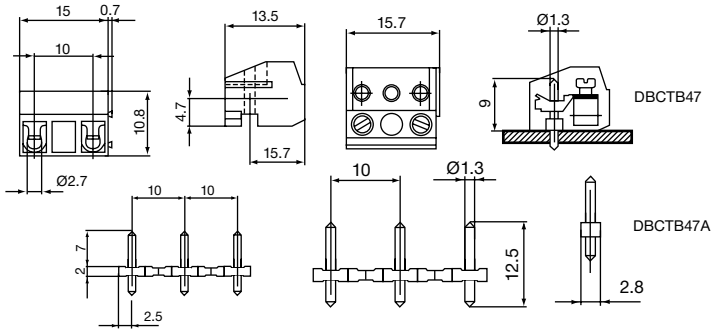


SPECIFICATION

Rating: 10A/750V
Dielectric Strength: $\geq 2.5\text{KV}/60\text{sec}$
Insulation Resistance: $\geq 5\text{M}\Omega$
Working temperature: -33°C to 125°C
Short Period: 160°
Moulding: UL94V-0 flame retardant glass filled polyester

Pin/terminal: 5μ tinned, copper flashed brass
Wire protector: Beryllium copper
Screw/torque: M2.6 steel, zinc & colour passivated and tropicalised/0.4Nm

OUTLINE DRAWING



ORDERING INFORMATION

DBC	TB	47	/2
Dubilier Connectors	Series	Style	N° of Ways
	Terminal Block	47=Style 47 47A=Style 47A	2 = 2 ways 3 = 3 ways

* Other Number of ways are available up to 12
Please consult office for further details