

This document is the property of Amphenol Corporation and is delivered on the express condition that is not to be disclosed, reproduced or used, in whole or in part, for manufacture or sale by anyone other than Amphenol Corporation without its prior consent, and that no right is granted to disclose or to use any information in this document.

The marking on this product doesn't contain environmental hazardous material and must follow one or more specifications per Material Specification SS-00259 for Sony GP compliant or per directive 2002/95/EC for RoHS compliant or per IEC 61249-2-21 for Halogen Free compliant.



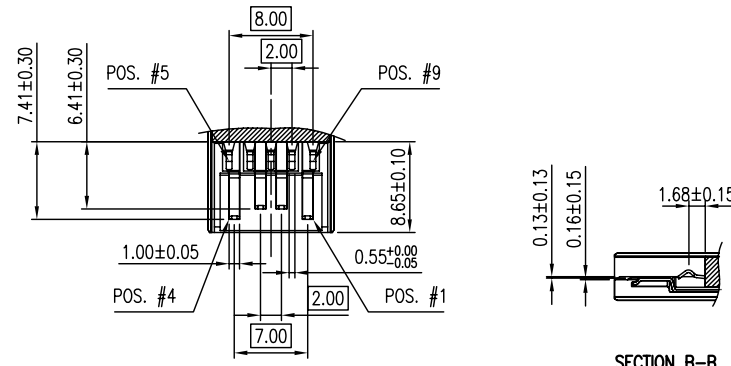
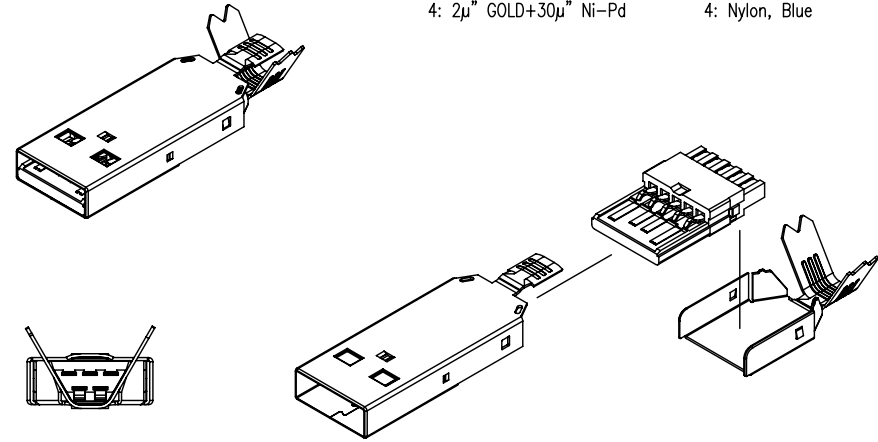
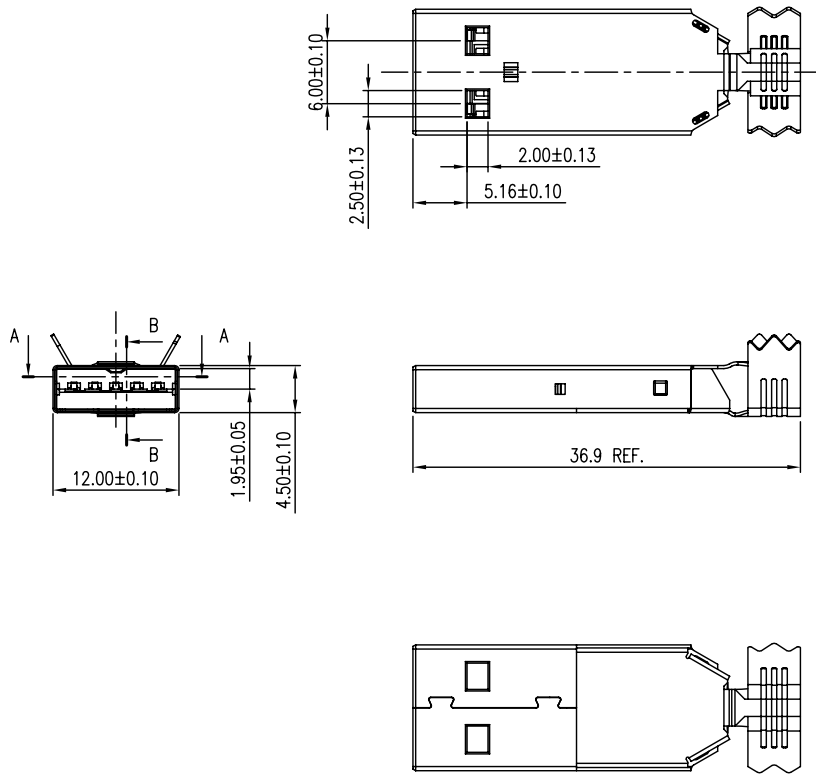
ORIGINAL



REVISIONS				
SYM	ECN No.	DESCRIPTION	DATE	BY
A		RELEASE TO PRODUCT	06/28/2010	Sondra Sang
B	NE-10123	MODIFIED PNS	08/06/2010	Sondra Sang

PART NUMBER:  
GSB3 171 X X HR

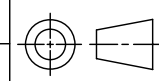
CONTACT FINISH      INSULATOR AND COLOR  
 3: 30μ" GOLD      1: LCP, Blue  
 4: 2μ" GOLD+30μ" Ni-Pd      4: Nylon, Blue



- NOTES:
- HOUSING: HIGH TEMPERATURE THERMOPLASTIC, UL 94V-0, COLOR- BLUE
  - USB TERMINAL: COPPER ALLOY, 0.25mm THICKNESS, 30μ" MIN. GOLD or 2μ" MIN. GOLD +30μ" MIN. Ni-Pd PLATED ON CONTACT AREA, 100μ" MIN. MATTE TIN ON SOLDERING TAIL, 50μ" MIN. NICKEL UNDER-PLATED OVERALL
  - METAL SHELL: STAINLESS STEEL, 0.3mm THICKNESS
  - THIS PRODUCT DOESN'T CONTAIN ENVIRONMENTAL HAZARDOUS MATERIALS PER DIRECTIVE 2002/95/EC FOR RoHS AND PER IEC 61249-2-21 FOR HALOGEN FREE COMPLIANT.

TOLERANCE	APPROVALS	DATE	TITLE	UNIT	SIZE	WARRANTY	REV.
X.            ±0.30 X.X          ±0.20 X.XX        ±0.10 X.XXX      ±0.10	DRAWN    Sondra Sang	08/06/10	USB 3.0 CONNECTOR STANDARD A, PLUG CABLE TYPE, OVERMOLD	mm	A3	PART No.    GSB3 171 XX HR	REV.        B
	CHECKED    Chenny Yeh	08/06/10					
	APPROVED   Hank Hsu	08/06/10					
ANGULAR   ±1°	DWG TYPE   CUST DWG	PROJECT CODE T506	SCALE       NA	SHEET       1 OF 1	DWG No.    GSB317131HR		
UNLESS OTHERWISE SPECIFIED							

**Amphenol®**  
Amphenol Corporation  
Amphenol Taiwan Corporation



This document is the property of Amphenol Corporation and is delivered on the express condition that it is not to be disclosed, reproduced or used, in whole or in part, for manufacture or sale by anyone other than Amphenol Corporation without its prior consent, and that no right is granted to disclose or to use any information in this document.

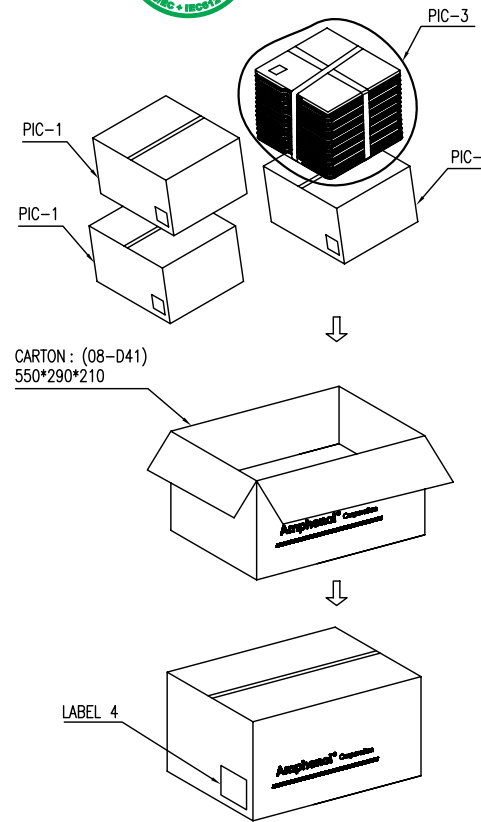
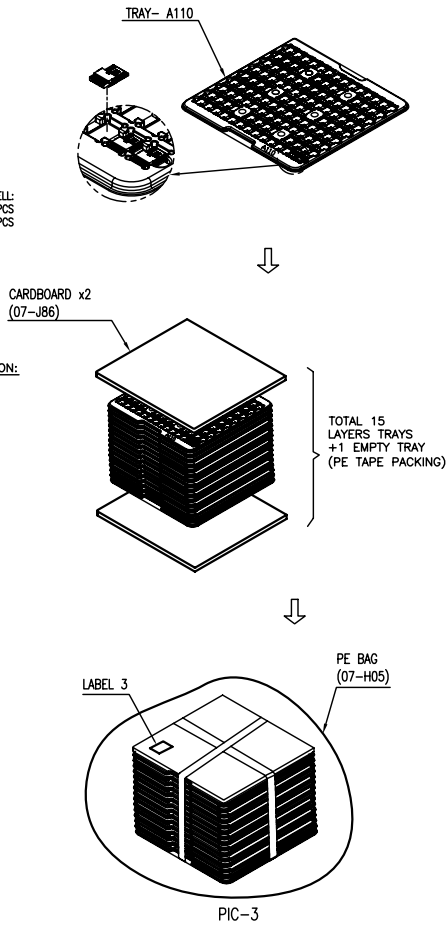
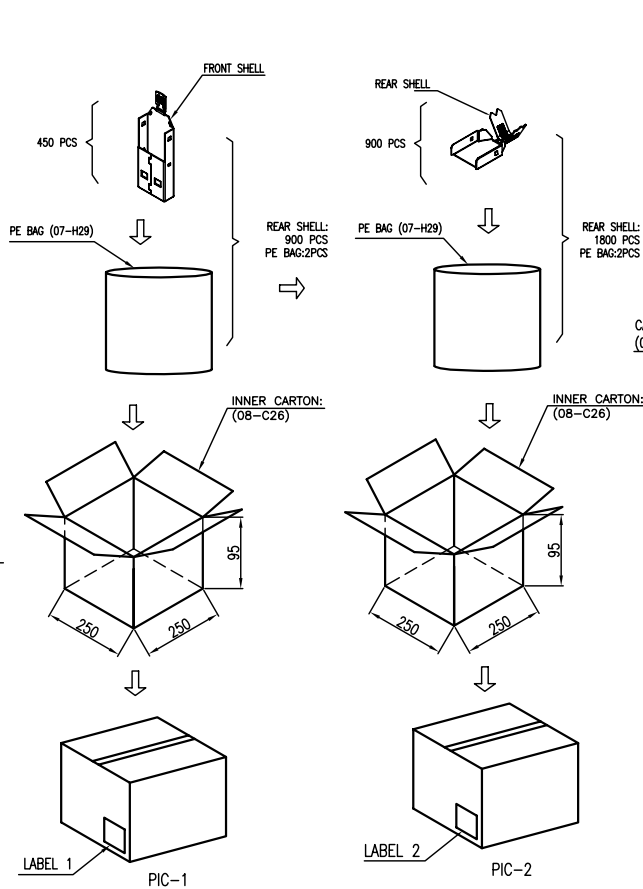
The marking on this product doesn't contain environmental hazardous material and must follow one or more specifications per Material Specification SS-00259 for Sony GP compliant or per directive 2002/95/EC for RoHS compliant or per IEC 61249-2-21 for Halogen Free compliant



ORIGINAL



REVISIONS				
SYM	ECN No.	DESCRIPTION	DATE	BY
A		PRODUCTION RELEASE	07/12/2010	Sondra Sang
B	NE-10109	MODIFIED THE LABEL TEXT	07/15/2010	Sondra Sang
C	NE-10132	MODIFIED PACKING METHOD	08/24/2010	Sondra Sang
D	NE-10190	MODIFIED PACKING METHOD	11/15/2010	Sondra Sang



P/N : GT506C001HR	LABEL 1= GT506C001HR
QTY : 900	LABEL 2= GT506C002HR
P/O : 411-012345-001	LABEL 1= QTY: 900
DATE: 02/01/2010	LABEL 2= QTY: 1800
MM/DD/YYYY	
G.W: 15.00 KG	HF
Amphenol Taiwan Corporation	

LABEL 1 & LABEL 2

P/N : GSB317131HR	LABEL 3= QTY: 120
QTY : 120	LABEL 4= QTY: 1800
P/O : 411-012345-001	
DATE: 02/01/2010	
MM/DD/YYYY	
G.W: 15.00 KG	HF
Amphenol Taiwan Corporation	

LABEL 3 & LABEL 4

PART NO.	PCS. / TRAY	TRAY / CARTCON	N.W.	G.W.
GSB3171XXHR	120 PCS.	120X 15= 1800 PCS.	*	*
PART NO.	PCS. / INNER BOX	BOX / CARTCON		
GT506C001HR	900 PCS.	900X 2 = 1800 PCS.		
GT506C002HR	1800 PCS.	1800X 1= 1800 PCS.		

(\*\*) FOR REFERENCE

NOTES:

- MATERIAL: TRAY- PET
- THICKNESS: 0.80 mm MINIMUM
- THE BARCODE MUST BE 3 OF 9 BARCODE
- COMPONENTS LOAD PER THE TRAY: 120 PCS.
- TOP & BOTTOM SHELLS PACKING PLEASE REFER TO THE PAGE 2/3 & 3/3
- THIS PRODUCT DOESN'T CONTAIN ENVIRONMENTAL HAZARDOUS MATERIALS PER DIRECTIVE 2002/95/EC FOR RoHS COMPLIANT

TOLERANCE	APPROVALS	DATE	TITLE	UNIT		SIZE	PART No.
X. ±0.20	DESIGNED Sondra Sang	11/15/10	USB3.0 CONNECTOR A TYPE, PLUG, CABLE END TRAY PACKING	mm	A3	1 OF 1	PKS-GSB317P001HR
X.X ±0.15	CHECKED Chenny Yeh	11/15/10		SCALE	NA		
X.XX ±0.10	APPROVED Hank Hsu	11/15/10		SHEET	1 OF 1		
X.XXX ±0.05	DWG TYPE ENG DWG	PROJECT CODE T506					DWG No. PKS_GSB317P001HR
ANGULAR ±1°							REV. D
UNLESS OTHERWISE SPECIFIED							

