



PRELIMINARY

SOLID STATE DEVICES, INC

14849 Firestone Boulevard · La Mirada, CA 90638
Phone: (714) 670-SSDI (7734) · Fax: (714) 522-7424

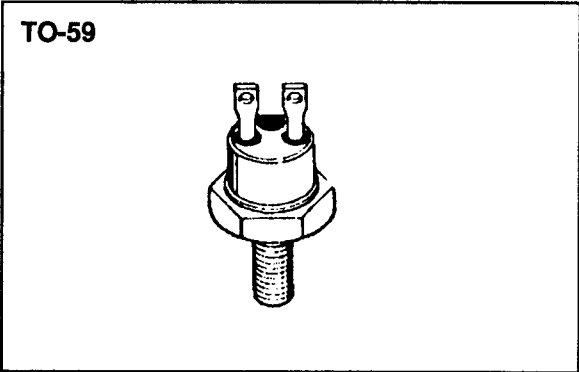
**SSR1008/59
SSR1009/59
SSR1010/59**

Designer's Data Sheet

**10 AMP
80-100 VOLTS
SCHOTTKY
RECTIFIER**

- FEATURES:**
- Extremely Low Forward Voltage Drop
 - Low Reverse Leakage
 - Hermetically Sealed Isolated Power Package
 - Guard ring for overvoltage protection
 - Eutectic Die Attach
 - 175°C Operating Junction Temperature

 - TX, TXV, and Space Level Screening Available



MAXIMUM RATINGS

RATING	SYMBOL	VALUE	UNIT
Peak Repetitive Reverse and DC Blocking Voltage	VRRM	80	Volts
	VRWM	90	
	VR	100	
Average Rectified Forward Current (Resistive Load, 60Hz, Sine Wave, TA=25°C)	IO	10	Amps
Peak Surge Current (8.3 ms Pulse, Half Sine Wave Superimposed on IO, allow junction to reach equilibrium between pulses, TA=25°C)	IFSM	200	Amps
Operating and storage temperature	Top & Tstg	-65 to +175	°C
Maximum Thermal Resistance Junction to Case	RθJC	1.4	°C/W

NOTE: All specifications are subject to change without notification. SCD's for these devices should be reviewed by SSDI prior to release.

DATA SHEET#: RS0199 A

MED

SSR1008/59
SSR1009/59
SSR1010/59

PRELIMINARY



SOLID STATE DEVICES, INC

14849 Firestone Boulevard · La Mirada, CA 90638
 Phone: (714) 670-SSDI (7734) · Fax: (714) 522-7424

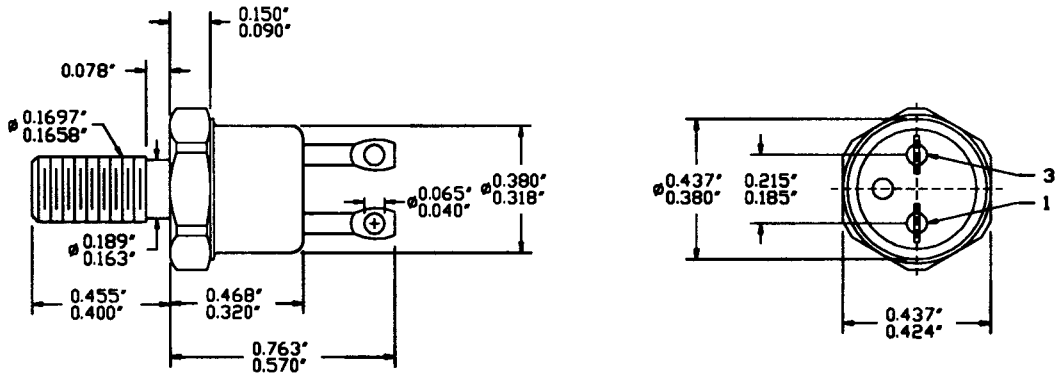
ELECTRICAL CHARACTERISTICS

CHARACTERISTICS	SYMBOL	MAXIMUM	UNIT
Instantaneous Forward Voltage Drop (IF = 1 Adc, TA=25°C, 300µs Pulse) (IF = 5 Adc, TA=25°C, 300µs Pulse) (IF =10 Adc, TA=25°C, 300µs Pulse)	VF1	0.56 0.79 0.90	Vdc
Instantaneous Forward Voltage Drop (IF = 10 Adc, TA= - 55°C, 300µs Pulse)	VF2	0.82	Vdc
Reverse Leakage Current (Rated VR, TA=25°C, 300µs pulse minimum)	IR1	10	µA
Reverse Leakage Current (Rated VR, TA=100°C, 300µs pulse minimum)	IR2	500	µA
Junction Capacitance (VR = 10 Vdc, TA=25°C, f = 1 MHz)	CJ	300	pf

CASE OUTLINE: TO-59

PIN OUT:

PIN 1: ANODE
PIN 3: CATHODE



TYPICAL OPERATING CURVES

(TA=25°C Unless otherwise specified)

