

30 Watt Interchangeable Plug Series PSA-30R Adapter with Worldwide Wall Plugs

PRELIMINARY



PHIHONG USA - Fremont

Tel: 1-510-445-0100
Fax: 1-510-445-1678

E-mail: usasales@phihongusa.com
www.phihong.com

PHIHONG Taiwan - Taipei:

Tel: 886-2-29882126
886-2-29805255
Fax: 886-2-29817086
886-2-29833222

E-mail: phtsales@phihong.com.tw
www.phihong.com.tw

PHIHONG China - Tianjin:

Tel: 86-22-66880040
Fax: 86-22-66880038

E-mail: eva_liu@phihong.com.tw

PHIHONG Japan - Tokyo:

Tel: 81-3-5447-5001
Fax: 81-3-5447-5002

PHIHONG Europe - Glasgow, UK:

Tel: 44-1698-816773
Fax: 44-1698-802290

E-mail: iaian@mariam.co.uk

PHIHONG Brazil - Minas Gerais:

Tel: 55-35-34715566
Fax: 55-35-34713577

E-mail:

commercial@phihong-pwm.com.br
www.phihong-pwm.com.br

Features

- Double Insulated
- Class B EMI
- Field Changeable Plugs
- Power On LED

Applications

- Peripherals
- Portable Equipment
- Gaming Machines
- Point of Sale Equipment
- Network Equipment

Safety Approvals

- cUL 60950 3rd Edition
- CE
- TUV EN60950

Mechanical Characteristics

- Dimensions: • Length: 100mm (3.9in) • Height: 35.7mm (1.4in)
• Width: 63mm (2.5in) • Weight: 242gm (8.5oz)

Output Specifications

Model	DC Output Voltage	Load		Ripple ⁽¹⁾ P-P (max)	Regulation	
		Min.	Max.		Line	Load ⁽²⁾
PSA-30R-033 ⁽³⁾	3.3V	0A	4A	50mV	±1%	±5%
PSA-30R-050 ⁽³⁾	5V	0A	4A	50mV	±1%	±5%
PSA-30R-090 ⁽³⁾	9V	0A	2.23A	90mV	±1%	±5%
PSA-30R-120	12V	0A	2.5A	120mV	±1%	±5%
PSA-30R-150 ⁽³⁾	15V	0A	2A	150mV	±1%	±5%
PSA-30R-180 ⁽³⁾	18V	0A	1.67A	180mV	±1%	±5%
PSA-30R-240	24V	0A	1.25A	240mV	±1%	±5%
PSA-30R-480	48V	0A	0.625A	480mV	±1%	±5%

Clip ordered separately. US Plug: RPA; UK Plug: RPK; Europe Plug: RPE; Australia Plug: RPS; All 4 Plugs: RPKit.

(1) Measured by using a 12 inch twisted pair terminated with a 10µF capacitor and a 0.1µF ceramic in parallel.

(2) No load to full load, 1.8meter (6ft) DC cord, measured at the plug.

(3) Consult factory for availability.

INPUT:

AC Input Voltage

90 to 264 VAC

AC Input Frequency

47 to 63Hz

AC Input Current

1.0Arms @120VAC

0.5Arms @240VAC

AC In-rush Current

30A Max. for 115VAC at Max.

Load60A Max. for 230VAC at

Max. Load

OUTPUT:

Hold-up Time

>12ms., Full load, 120VAC

Overvoltage Protection

>120%, Zener Diode Clamp

Overcurrent Protection

>120%, Auto Restart

ENVIRONMENTAL:

Temperature

Operation: 0 to 40°C

Non-Operation: -25 to +85°C

Humidity

Operation: 10 to 90%

Non-Operation: 5% to 95%

Emissions

FCC Class B

EN 55022 Class B

Immunity

EN 50082-1: 1997

EN 61000-4-2, Level 3

EN 61000-4-3, Level 2

EN 61000-4-4, Level 2

EN 61000-4-5, Level 3

EN 61000-4-6, Level 2

EN 61000-4-11

GENERAL:

Leakage Current

<0.25mA (254VAC)

Dielectric Withstand (Hipot)

3000VAC, 1 min., 10mA

MTBF

MIL-HDBK-217F; 150Khrs.

Power On Indicator

Green LED

AC Input Plugs

(Sold Separately)

USA: RPA Europe: RPE

UK: RPK Australia: RPS

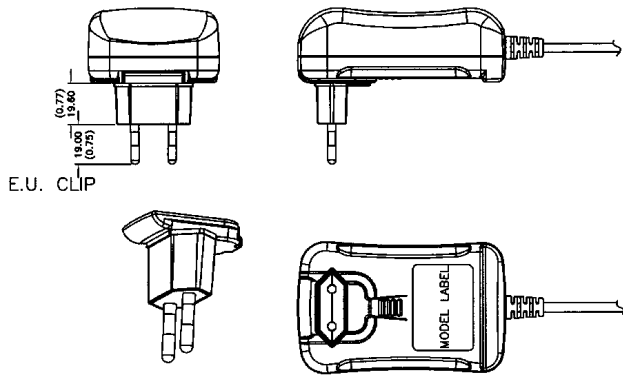
DC Output Connector

2.1mm x 5.5mm x 10mm Coaxial Plug;

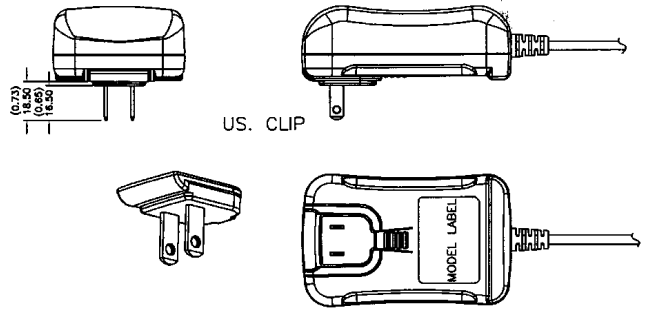
Center Positive Standard

PSA-30R Dimension Diagram Unit: mm (inch)

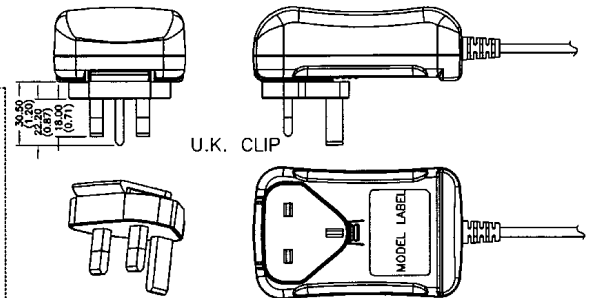
ASSEMBLY FROM HOUSING AND E.U. CLIP



ASSEMBLY FROM HOUSING AND US. CLIP



ASSEMBLY FROM HOUSING AND U.K. CLIP



AUST. CLIP ASSEMBLY FROM HOUSING AND AUST. CLIP

