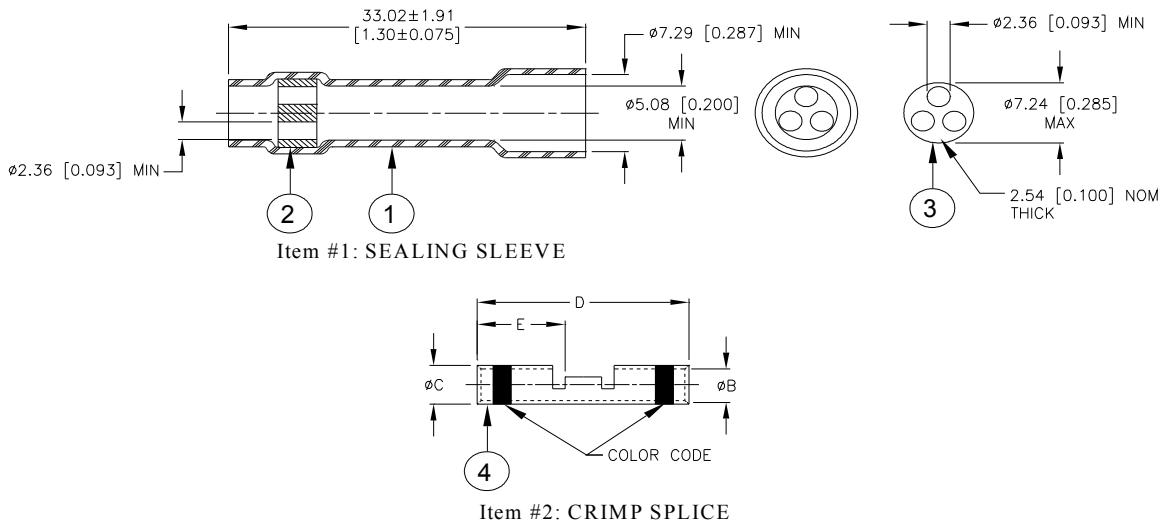


## SPECIFICATION CONTROL DRAWING



### MATERIALS

1. INSULATION SLEEVE: Heat-shrinkable, transparent blue, radiation cross-linked modified polyvinylidene fluoride.
2. INTEGRAL MULTI-WIRE SEAL: Low outgassing immersion resistant thermoplastic.
3. SEPARATE MULTI-WIRE SEAL: Low outgassing immersion resistant thermoplastic.
4. CRIMP SPLICE: Base Metal: Copper Alloy 101 or 102 per ASTM B-75.  
Plating: Nickel per SAE AMS-QQ-N-290.  
Color Code: See table below.

### Dimensions:

Part Name	Crimp Splice				
	øB	øC	D	E	Color Code
D-436-88	1.27 [0.050]	2.03 [0.080]	12.95 [0.510]	6.22 [0.245]	Red
	1.14 [0.045]	1.91 [0.075]	12.45 [0.490]	5.72 [0.225]	
D-436-89	1.75 [0.069]	2.70 [0.106]	14.86 [0.585]	7.11 [0.280]	Blue
	1.63 [0.064]	2.57 [0.101]	14.35 [0.565]	6.60 [0.260]	
D-436-90	2.60 [0.102]	3.91 [0.154]	14.86 [0.585]	7.11 [0.280]	Yellow
	2.46 [0.097]	3.73 [0.147]	14.35 [0.565]	6.60 [0.260]	

### Installation Data:

Part Name	Wire Size Range of Crimp Splice (AWG)			
	Two wires		Three wires	
	Minimum	Maximum	Minimum	Maximum
D-436-88	26	24	28	24
D-436-89	24	20	24	22
D-436-90	22	16	22	18

		<b>Raychem</b>		TITLE: <b>IN-LINE SPLICE SEALING SYSTEM, MULTI-WIRE SPLICER NICKEL PLATED, COLOR CODED, WITH INSPECTION SLOTS</b>	
TE Connectivity 300 Constitution Drive, Menlo Park, CA. 94025, U.S.A.				DOCUMENT NO.: <b>D-436-88/-90</b>	
Unless otherwise specified dimensions are in millimeters. [Inches dimensions are shown in brackets]					
TOLERANCES: 0.00 N/A 0.0 N/A 0 N/A	ANGLES: N/A	TE Connectivity reserves the right to amend this drawing at any time. Users should evaluate the suitability of the product for their application.		REV.: B1	DATE: 16-Apr-11
CAGE CODE : 06090	REPLACES: D060008	DCR NUMBER: D060019		SCALE: ---	SIZE: A
				SHEET: 1 of 2	

Print Date: 9-May-11

© 2011 Tyco Electronics Corporation, a TE Connectivity Ltd. Company. All Rights Reserved.

If this document is printed it becomes uncontrolled. Check for the latest revision.

# SPECIFICATION CONTROL DRAWING

MIL Spec equivalent size and wire accomodation:

Part Name	MIL Spec Equivalent Size	Wire Size Range (AWG)	Wgt. Lbs/Mpc max
D-436-88	M81824/1-1	26 - 20	1.02
D-436-89	M81824/1-2	20 - 16	1.61
D-436-90	M81824/1-3	16 - 12	2.72

## APPLICATION

1. These parts are designed to provide immersion resistant in-line splices of 2 or 3 to 2 or 3 wires falling within the size range listed on sheet 1, having nickel-plated conductors and insulations rated for at least 135°C.
2. Parts are available only as an assembly of one of each Item #1 and Item #2.
3. Parts are to be installed per assembly procedure as outlined below.
4. Inside diameter and outside diameter of splice are to be measured in crimp area, 2.54 to 5.08mm [0.100 to 0.200in] from ends of part. Slight burr permitted on parted surfaces.
5. Acceptance sampling shall be in accordance with Paragraph 4.6.1 of SAE AS81824.
6. Packing and packaging shall be in accordance with Section 5, Level C, of SAE AS81824.
7. This document takes precedence over documents referenced herein.

## ASSEMBLY PROCEDURE

### 1.0 SCOPE

This document outlines the procedure to be followed to obtain immersion resistant multiple wire butt splices using Multi-Wire In-Line Splice Sealing system D-436-88/-90.

### 2.0 PROCEDURE

- a) Pass the wires to be attached to one barrel through the separate multi-wire seal (3). Pass the wires to be attached to the other barrel through the sealing sleeve from the three hole insert end.
- b) Strip wires 5/16" to 11/32" and crimp into splice using a Raychem AD-1377 crimp tool. Care must be taken so that the wires remain untwisted between the splice and the separate multi-wire seal (3) or the sealing sleeve cannot be positioned properly.
- c) Position the separate multi-wire seal (3) as close as possible to the splice. Hold this piece in position by squeezing the wires directly behind it, and slide the sealing sleeve over the assembly so that the separate multi-wire seal (3) is as far inside the sleeve as possible.
- d) Apply heat, using the recommended heat source, first to the separate multi-wire seal end, and then to the other. Heat should be applied until insert melts and flows axially along the wire.

### 3.0 RECOMMENDED RAYCHEM HEATING TOOLS

<i>Heater</i>	<i>Reflector</i>	<i>Recommended setting</i>
Heat Gun CV-1981	PR52D	7.5 - 8
Steinel HL-1802E	PR52D	8 - 9

Unless otherwise specified, dimensions are in millimeters. [Inches dimensions are shown in rackets]

DOCUMENT NO.: <b>D-436-88/-90</b>	DCR NUMBER: D060019	REV.: B1	DATE: 16-Apr-11	SHEET: 2 of 2
--------------------------------------	------------------------	-------------	--------------------	------------------

Print Date: 9-May-11

© 2011 Tyco Electronics Corporation, a TE Connectivity Ltd. Company. All Rights Reserved.

If this document is printed it becomes uncontrolled. Check for the latest revision.