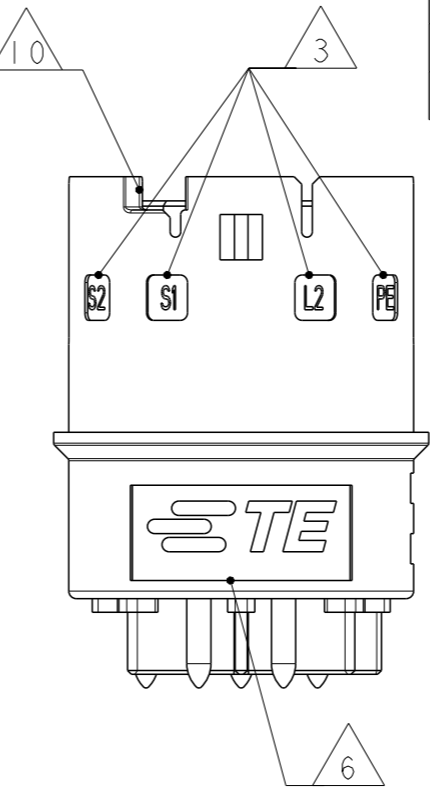
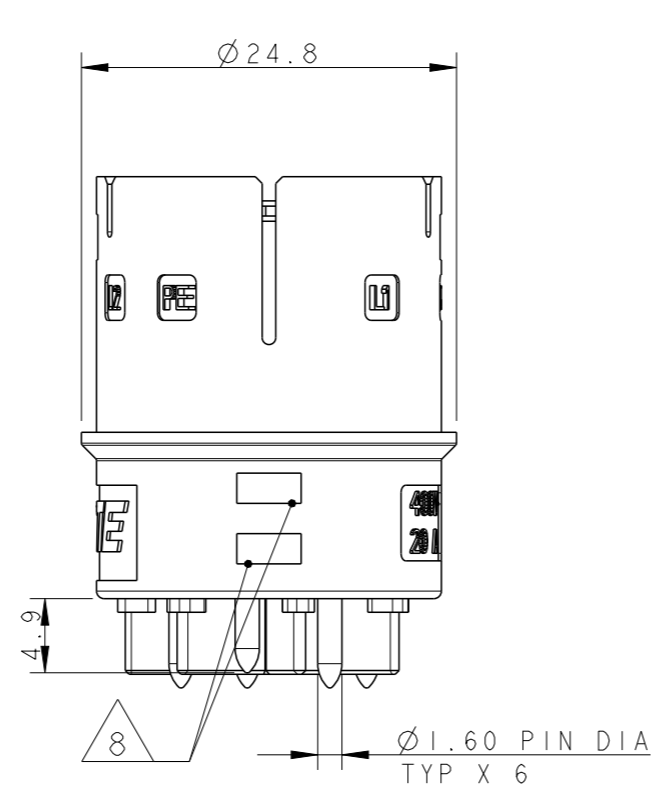
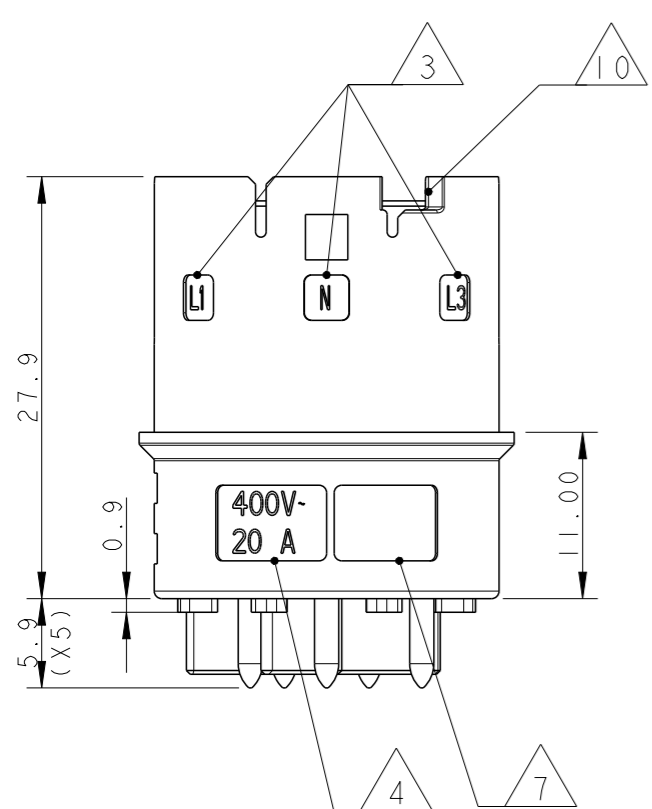


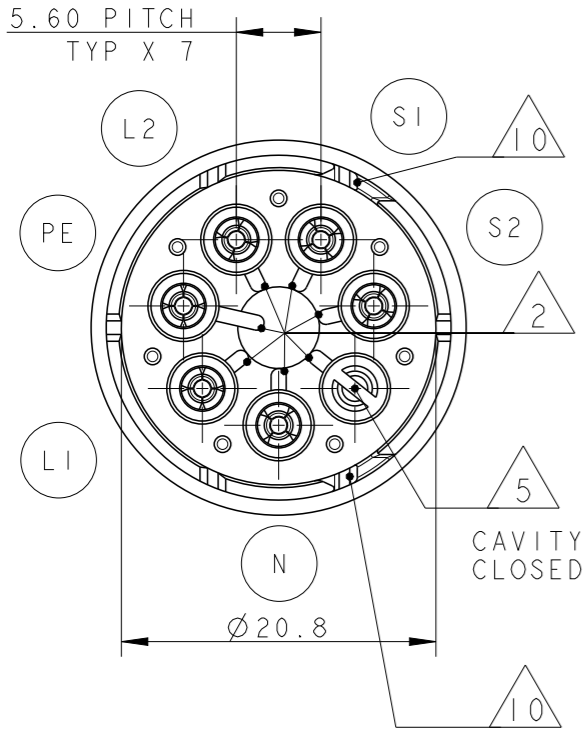
THIS DRAWING IS UNPUBLISHED. RELEASED FOR PUBLICATION 2011
 © COPYRIGHT 2011 BY - ALL RIGHTS RESERVED.

LOC 1 DIST -

REVISIONS					
P	LTR	DESCRIPTION	DATE	DWN	APVD
5		UPDATED	07JUN2011	AB	GT
6		UPDATED	23JUL2013	MZ	JC
A		PARTS RELEASED FOR PRODUCTION	13NOV2013	KR	JC



- NOTES:
- 1 MATERIAL: PA GF (NATURAL)
- HOUSING: PA GF
- CONTACTS: BRASS TIN PLATED
 - 2 ALL POLARIZATION KEYS SHOWN FOR REF ONLY
 - 3 WAYS I.D.
 - 4 VOLTAGE AND CURRENT RATINGS
 - 5 RIB CLOSING CAVITY BY CHANGE OVER
 - 6 TE LOGO
 - 7 AREA FOR AGENCIES APPROVAL LOGO
 - 8 VISUAL INDICATOR FOR PE CONDUCTOR
 - 9) SEE C-DRAWING 293682 (LOCKING CAP) TO GET IP 40
 - 10 SLOTS TO ALLOW DELATCHING TOOL OPERATION. FOR DELATCHING TOOL AND OPERATION REFER TO APPLICATION SPECIFICATION



PCB CUT-OUT AND HOLES DIMENSIONS (±0.03)

TOP VIEW
SCALE 1:1

BOTTOM VIEW
SCALE 1:1

Ø12.91
PIN HOLES CENTER PLACED ALONG VERTEX OF HEPTAGON FIGURE INSCRIBED INTO CIRCLE 12.91MM DIA.

Ø1.80 TYP X 5

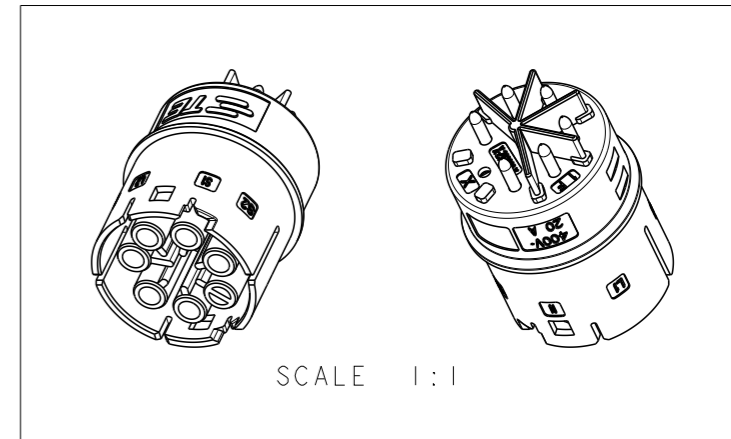
9.60 TYP X 5


5.60 TYP X 5

1.00 TYP X 5

R1.25

**RACOMANDED PCB THICKNESS 1.6±0.06,
PATH THICKNESS 0.07,
PATH WIDTH 7.50±0.05 FOR LINES, PE, NEUTRAL**



THIS DRAWING IS A CONTROLLED DOCUMENT.		DWN A. BERNARDI 31MAR2011	 TE Connectivity		
DIMENSIONS: mm		CHK -			
TOLERANCES UNLESS OTHERWISE SPECIFIED:		APVD G. TURCO 31MAR2011	NAME SOCKET 6 POLES PCB CONNECTOR NECTOR M-LINE		
0 PLC ±- 1 PLC ±0.3 2 PLC ±0.2 3 PLC ±- 4 PLC ±- ANGLES ±3°		PRODUCT SPEC 108-20324	SIZE A300779		
MATERIAL -		FINISH -	APPLICATION SPEC 114-20169	DRAWING NO C-293671	
		WEIGHT -	RESTRICTED TO -		
		Customer Drawing	SCALE 2:1	SHEET 1 OF 2	REV A

THIS DRAWING IS UNPUBLISHED.

RELEASED FOR PUBLICATION

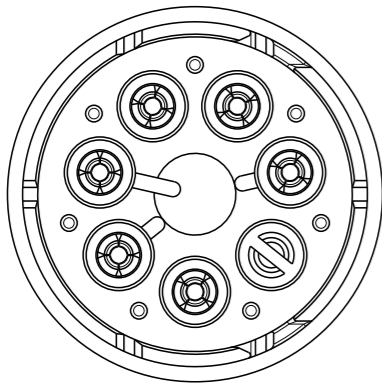
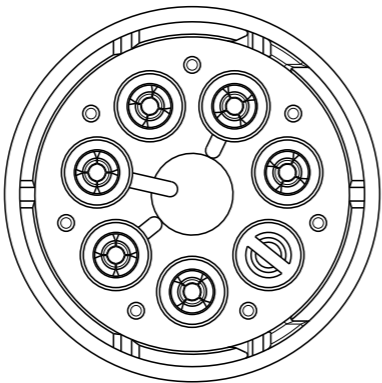
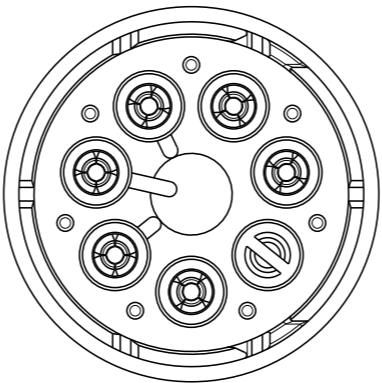
2011

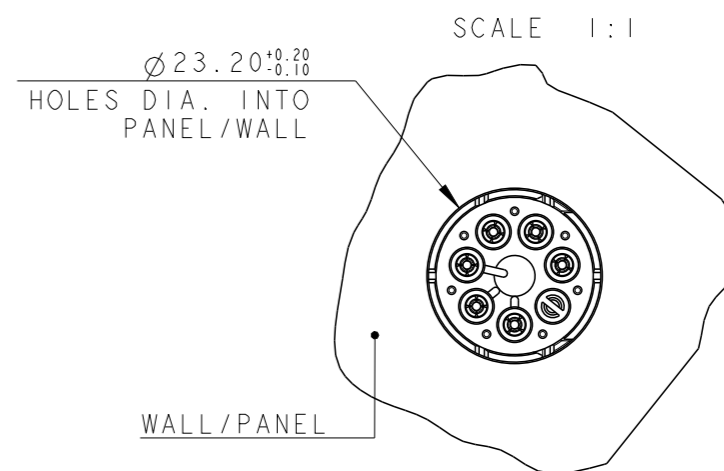
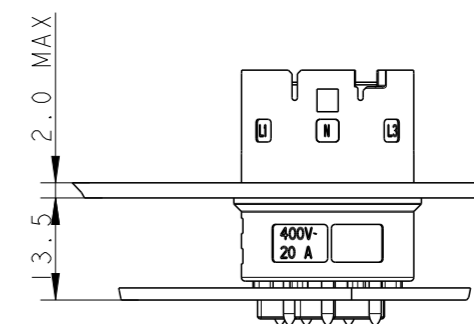
© COPYRIGHT 2011 BY -




ALL RIGHTS RESERVED.

LOC	DIST	REVISIONS					
		P	LTR	DESCRIPTION	DATE	DWN	APVD
1	-	-	-	SEE SHEET 1	-	-	-


POLARIZATION TYPES

POLARIZATION TYPE "C"	POLARIZATION TYPE "D"	POLARIZATION TYPE "E"
		
PNs 0-293671-3	PNs 0-293671-4	PNs 0-293671-5



	E	NATURAL	SOCKET PCB CONN 6 POLES NECTOR* M-LINE	A	0-293671-5
	D	NATURAL	SOCKET PCB CONN 6 POLES NECTOR* M-LINE	A	0-293671-4
	C	NATURAL	SOCKET PCB CONN 6 POLES NECTOR* M-LINE	A	0-293671-3
NOTE	POL. KEYING	COLOUR	DESCRIPTION	REV.	P/N

THIS DRAWING IS A CONTROLLED DOCUMENT.	
DIMENSIONS: mm	TOLERANCES UNLESS OTHERWISE SPECIFIED: 0 PLC ± 1 PLC ±0.3 2 PLC ±0.2 3 PLC ± 4 PLC ± ANGLES ±3°
MATERIAL -	FINISH -

DWN A. BERNARDI	31MAR2011	 TE Connectivity	
CHK -	-		
APVD G. TURCO	31MAR2011	NAME SOCKET 6 POLES PCB CONNECTOR NECTOR M-LINE	
PRODUCT SPEC 108-20324			
APPLICATION SPEC 114-20169			
WEIGHT -		SIZE A300779	DRAWING NO C-293671
Customer Drawing		RESTRICTED TO -	
SCALE 2:1		SHEET 2 OF 2	REV A