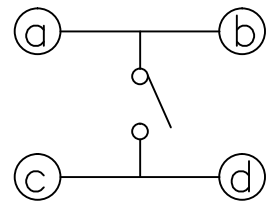
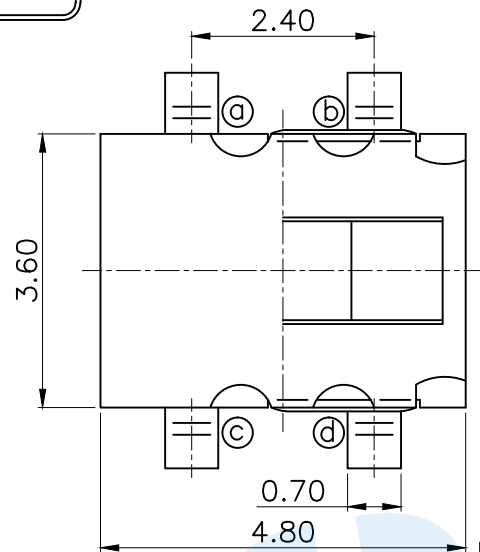
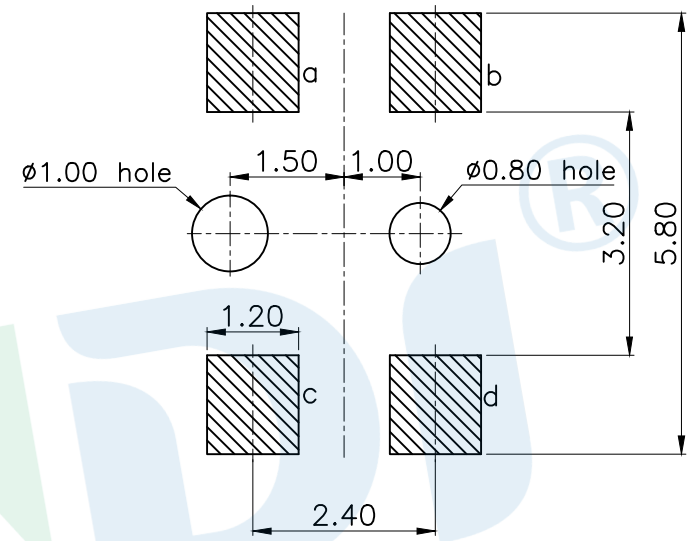


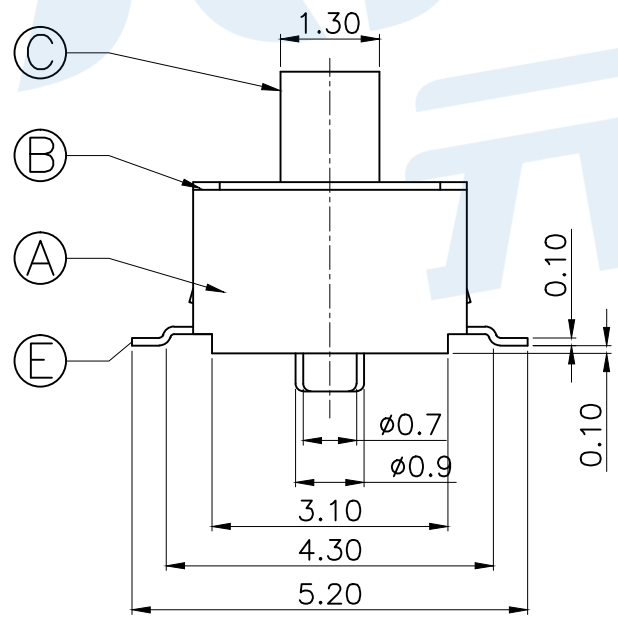
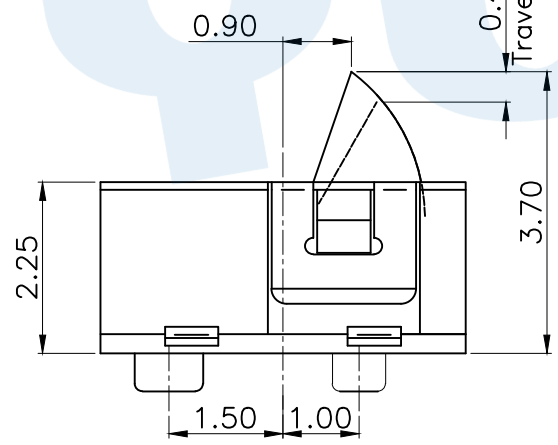
RoHS



Circuit Diagram



PCB Layout(Pattern side)



**Technical Parameters**  
 1. Rated current: DC 30V 0.1A  
 2. Operating force: 30±10gf  
 3. Mechanical life: 100,000 times

PART NO.	
TQ-2523	TQ-2523-1

NO.	Name	Number	Qty	Material	Remarks
(E)	Terminal		4	Phosphor bronze	Silvering
(D)	Contact Spring		1	Phosphor bronze	Silvering
(C)	Button		1	PPA	Black
(B)	Cover		1	SUS	Natural
(A)	Base		1	LCP	Black

**YUANDI®** Yuandi Electronics Co, Ltd

design	date	name	DETECTION SWITCH
Review	date	model	TQ-2523
Approved	date		

Drawing number: Proportion 1:1 unit mm gage number A4

angle	±2'
10~30	±0.30
5~10	±0.20
~ 5	±0.10
modify	Review
Approved	Tolerance not specified