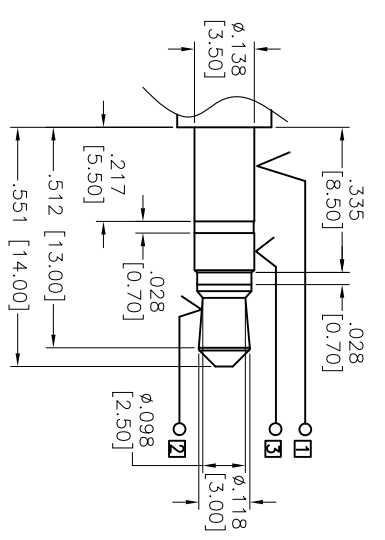
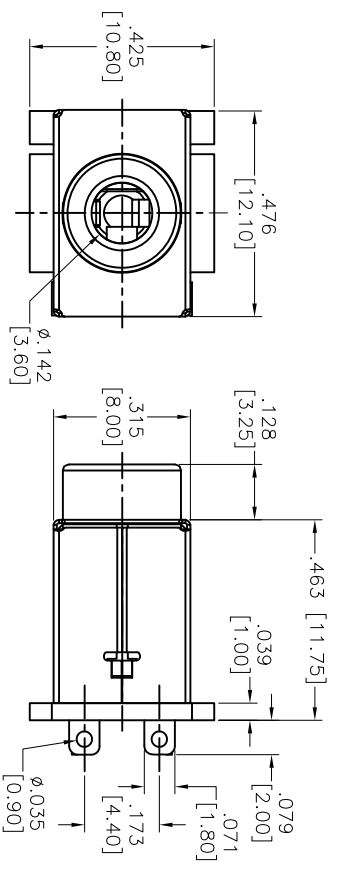
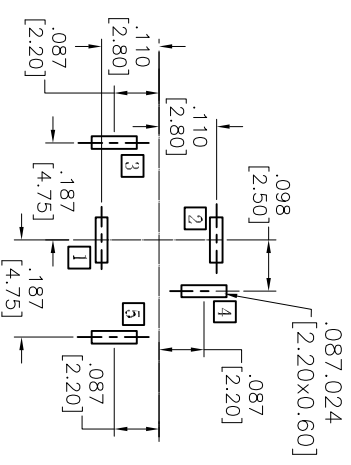


Rev	AWO #	Description	Date	Appr
-		RELEASED	9/19/11	

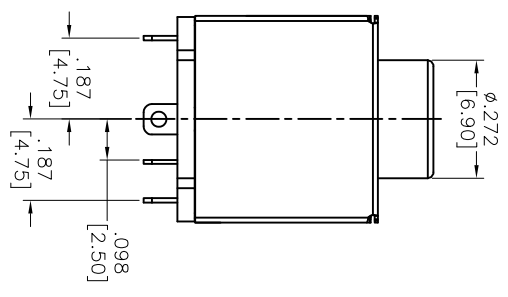
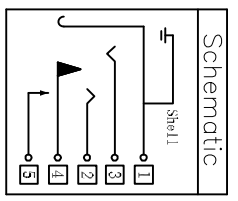
APPROVED: _____
 DATE: _____ TITLE: _____



Matching Plug



RECOMMENDED PCB LAYOUT



SPECIFICATIONS:

Material:
 Insulator: POM, rated UL 94HB
 Insulator color: Black
 Cover: PA66, rated UL 94HB
 Contacts: Phosphor Bronze, Silver plated.
 Spring: Phosphor Bronze, Silver plated.
 Shell: Steel, Nickel plated, Color: Nature

Electrical:
 Operating voltage: 30 VDC max.
 Current rating: 0.5 Amp max.
 Contact resistance: 50 mohms max.
 Insulation resistance: 100 Mohms min @ 250 VDC
 Dielectric withstanding voltage: 500 VAC for 1 minute

Temperature Rating:
 Operating temperature: -20°C to +70°C

Environmental:
 Lead free, RoHS compliant.

Recommended soldering temp: 235°C for 5 sec.

Operating temperature: -20°C to +70°C
Current rating: 0.5 Amp max.
Contact resistance: 50 mohms max.
Insulation resistance: 100 Mohms min @ 250 VDC
Dielectric withstanding voltage: 500 VAC for 1 minute
Operating temperature: -20°C to +70°C
Environmental: Lead free, RoHS compliant.
Recommended soldering temp: 235°C for 5 sec.



ADAM TECH

909 Railway Avenue, Union, NJ 07083
 Phone: 908-687-5000 Fax: 908-687-5710

STEREO PHONE JACK, 3.5mm

UNLESS OTHERWISE SPECIFIED ALL DIMENSIONS ARE IN INCHES [MM]	
TOLERANCES: EXCEPT AS NOTED	
INCHES	HOLES
.X ± .10	ØX ± .10
.XX ± .020	ØXXX ± .015
.XXX ± .015	ØXXX ± .010
APPROVALS	
DRAWN	TW
CHECKED	AY
APPROVED	
DATE	DATE
9/19/11	9/19/11

TITLE		PART NO.		REV.	
STEREO PHONE JACK, 3.5mm		ASL-110-A		-	
SIZE		SCALE		SHEET	
X		NVS		1 OF 1	
REF: S0002C					