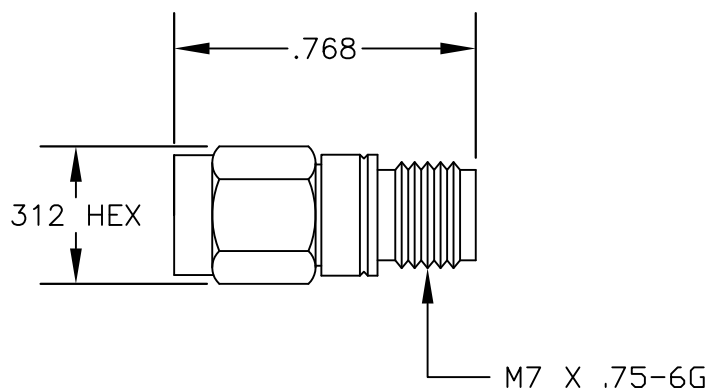


MATERIALS

BODY	PASSIVATED STAINLESS STEEL
CONTACT	GOLD PLATED
SUPPORT BEAD	AIR-POLYPHENYLENE OXIDE COMPOSITE



SPECIFICATIONS

FREQUENCY RANGE: DC TO 50 GHz
 MAX VSWR 1.30:1



PASTERNACK ENTERPRISES, INC.
 P.O BOX 16759, IRVINE, CA 92623
 PHONE (949) 261-1920 FAX (949) 261-7451
 WEB ADDRESS: www.pasternack.com
 E-MAIL ADDRESS: sales@pasternack.com
COAXIAL & FIBER OPTICS

DWG TITLE		DES. 1.85mm MALE TO 2.4mm FEMALE			
PE9673					
SIZE A	FSCM NO. 53919	CAD FILE 021903	SCALE N/A		127

- NOTES:**
1. UNLESS OTHERWISE SPECIFIED ALL DIMENSIONS ARE NOMINAL.
 2. ALL SPECIFICATIONS ARE SUBJECT TO CHANGE WITHOUT NOTICE AT ANY TIME.