

# TOTAL POWER INT'L

500W with PFC and Parallel Function

## PSP-500 series



### ■ Features :

- Universal AC input / Full range
- Built-in active PFC function, PF>0.95
- Protections: Short circuit/Over load/Over voltage/Over temperature
- Forced air cooling by built-in DC fan
- Current sharing up to 2000W(3+1)
- With power good and fail signal output
- Built-in remote ON-OFF control
- Built-in remote sense function
- 3 years warranty

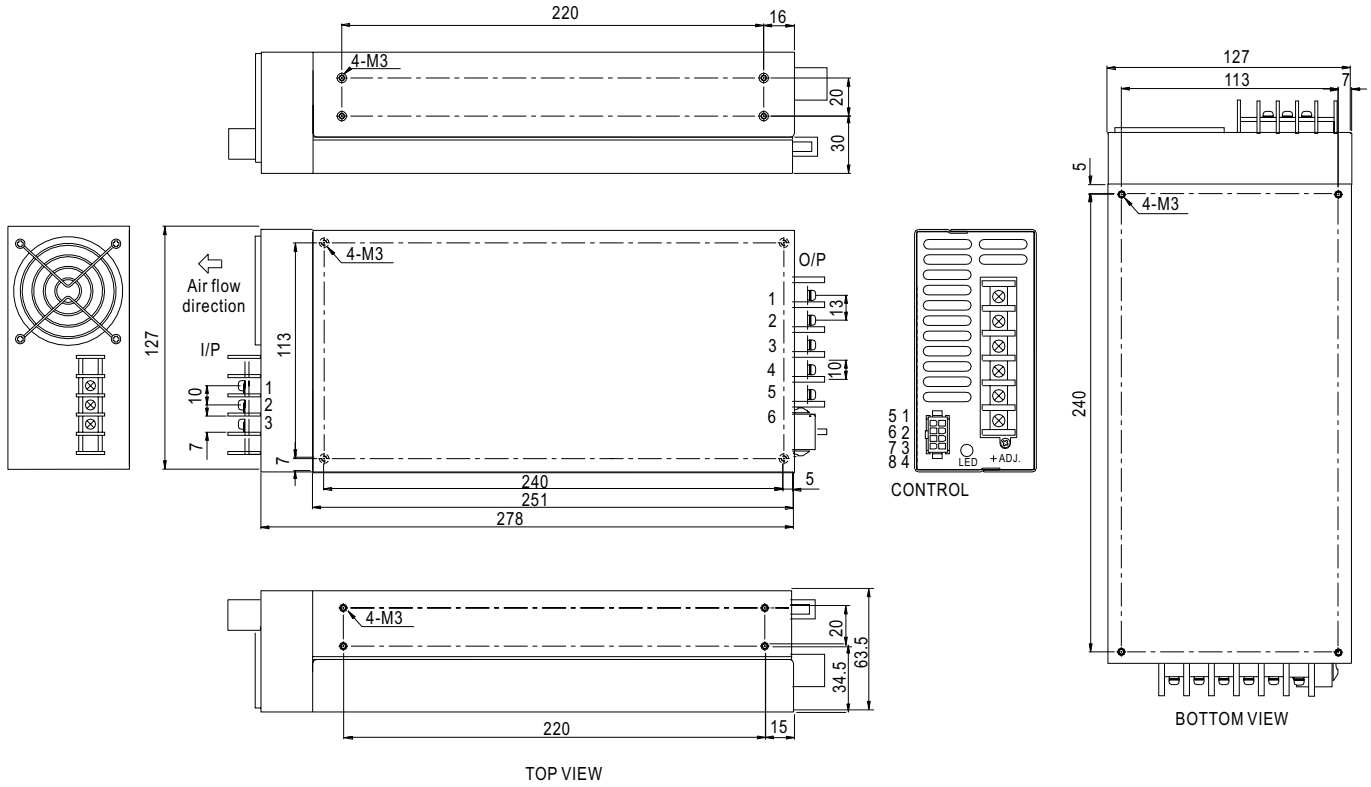


### SPECIFICATION

MODEL	PSP-500-5	PSP-500-12	PSP-500-13.5	PSP-500-15	PSP-500-24	PSP-500-27	PSP-500-48	
OUTPUT	DC VOLTAGE	5V	12V	13.5V	15V	24V	27V	48V
	RATED CURRENT	80A	41.5A	37A	33A	20.8A	18.5A	10.5A
	CURRENT RANGE	0 ~ 80A	0 ~ 41.5A	0 ~ 37A	0 ~ 33A	0 ~ 20.8A	0 ~ 18.5A	0 ~ 10.5A
	RATED POWER	400W	498W	499.5W	495W	499.2W	499.5W	504W
	RIPPLE & NOISE (max.) Note.2	100mVp-p	150mVp-p	150mVp-p	150mVp-p	150mVp-p	150mVp-p	200mVp-p
	VOLTAGE ADJ. RANGE	4.75 ~ 5.5V	10 ~ 13.2V	12 ~ 15V	13.5 ~ 18V	20 ~ 26.4V	24 ~ 30V	41 ~ 56V
	VOLTAGE TOLERANCE Note.3	±2.0%	±1.0%	±1.0%	±1.0%	±1.0%	±1.0%	±1.0%
	LINE REGULATION	±0.5%	±0.3%	±0.3%	±0.3%	±0.2%	±0.2%	±0.2%
	LOAD REGULATION	±2.0%	±0.5%	±0.5%	±0.5%	±0.5%	±0.5%	±0.5%
	SETUP, RISE TIME	1500ms, 50ms at full load						
HOLD TIME (Typ.)	24ms at full load							
INPUT	VOLTAGE RANGE Note.6	90 ~ 264VAC	127 ~ 370VDC					
	FREQUENCY RANGE	47 ~ 63Hz						
	POWER FACTOR (Typ.)	0.95/230VAC	0.98/100VAC at full load					
	EFFICIENCY (Typ.)	76%	82%	82%	82%	84%	84%	86%
	AC CURRENT (Typ.)	7A/115AVC	3.5A/230VAC					
	INRUSH CURRENT (Typ.)	20A/115VAC	40A/230VAC					
LEAKAGE CURRENT	<1mA / 240VAC							
PROTECTION	OVER LOAD	110 ~ 125% rated output power Protection type : Constant current limiting, recovers automatically after fault condition is removed						
	OVER VOLTAGE	5.75 ~ 6.75V	13.8 ~ 16.2V	15.5 ~ 18.2V	18 ~ 21V	27.6 ~ 32.4V	31 ~ 36.5V	57.6 ~ 67.2V
	OVER TEMPERATURE	RTH2 ≥ 95°C Detect on heatsink of Q1,Q7 power transistor & L3 output choke Protection type : Shut down o/p voltage, recovers automatically after temperature goes down						
FUNCTION	REMOTE CONTROL	RC+/RC-: 0 ~ 0.8V=power on ; 4 ~ 10V=power off sink current <4 ~ 10mA						
ENVIRONMENT	WORKING TEMP.	-10 ~ +60°C (Refer to output load derating curve)						
	WORKING HUMIDITY	20 ~ 90% RH with 30CFM forced air non-condensing						
	STORAGE TEMP., HUMIDITY	-20 ~ +85°C, 10 ~ 95% RH						
	TEMP. COEFFICIENT	±0.03%/°C (0 ~ 50°C)						
	VIBRATION	10 ~ 500Hz, 2G 10min./1cycle, 60min. each along X, Y, Z axes						
SAFETY & EMC (Note 4)	SAFETY STANDARDS	UL60950-1, TUV EN60950-1 Approved						
	WITHSTAND VOLTAGE	I/P-O/P:3KVAC I/P-FG:1.5KVAC O/P-FG:0.5KVAC						
	ISOLATION RESISTANCE	I/P-O/P, I/P-FG, O/P-FG:100M Ohms/500VDC						
	EMI CONDUCTION & RADIATION	Compliance to EN55022 (CISPR22) Class B						
	HARMONIC CURRENT	Compliance to EN61000-3-2, -3						
	EMS IMMUNITY	Compliance to EN61000-4-2,3,4,5,6,8,11; ENV50204, EN55024, Light industry level, criteria A						
OTHERS	MTBF	130.1K hrs min. MIL-HDBK-217F (25°C)						
	DIMENSION	278*129*63.5mm (L*W*H)						
	PACKING	2.6Kg; 6pcs/15.7Kg/0.89CUFT						
NOTE	<ol style="list-style-type: none"> <li>1. All parameters NOT specially mentioned are measured at 230VAC input, rated load and 25°C of ambient temperature.</li> <li>2. Ripple &amp; noise are measured at 20MHz of bandwidth by using a 12" twisted pair-wire terminated with a 0.1uf &amp; 47uf parallel capacitor.</li> <li>3. Tolerance : includes set up tolerance, line regulation and load regulation.</li> <li>4. The power supply is considered a component which will be installed into a final equipment. The final equipment must be re-confirmed that it still meets EMC directives.</li> <li>5. In parallel connection, maybe only one unit operated, if the total output load less than 5% of rated load condition.</li> <li>6. Derating may be needed under low input voltages. Please check the derating curve for more details.</li> </ol>							

## Mechanical Specification

Case No. 919A Unit:mm



AC Input Terminal Pin. No. Assignment

Pin No.	Assignment
1	AC/L
2	AC/N
3	FG $\perp$

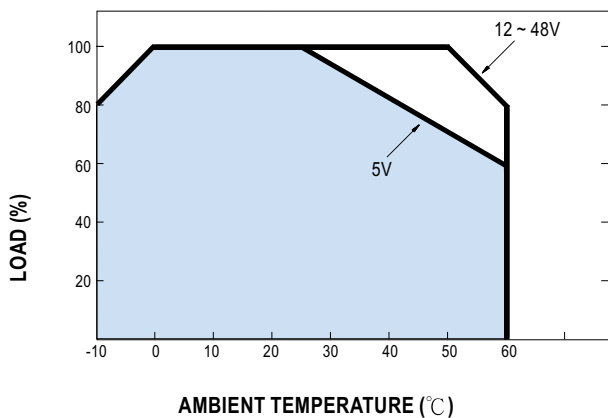
DC Output Terminal Pin. No. Assignment

Pin No.	Assignment
1~3	DC OUTPUT +V
4~6	DC OUTPUT -V

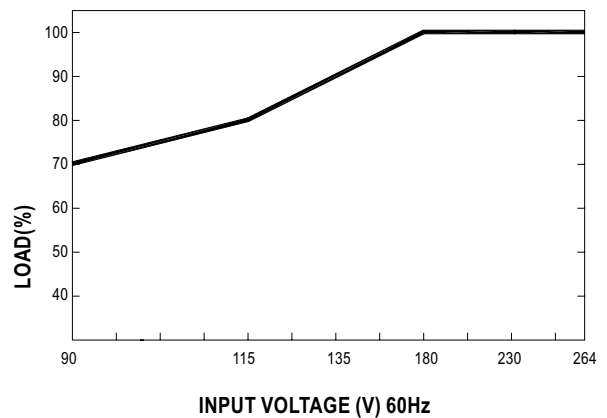
Control Pin. No. Assignment : MOLEX 5559-NP uses 5558 male crimp terminal

Pin No.	Assignment	Pin No.	Assignment	Mating connector	Terminal
1	P(Current share)	5	NC	MOLEX 5557-NR	MOLEX 5556 Female crimp Terminal receptacle
2	-S	6	PF(Power fail signal)		
3	G	7	+S		
4	RC-	8	RC+		

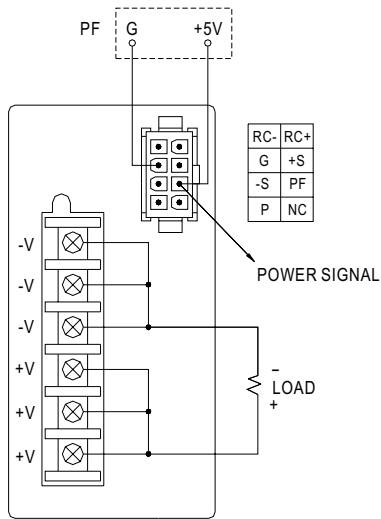
## Derating Curve



## Output Derating VS Input Voltage

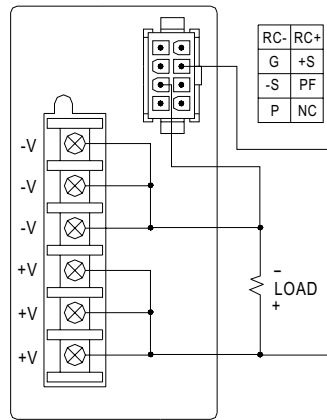


**Control terminal instruction manual**

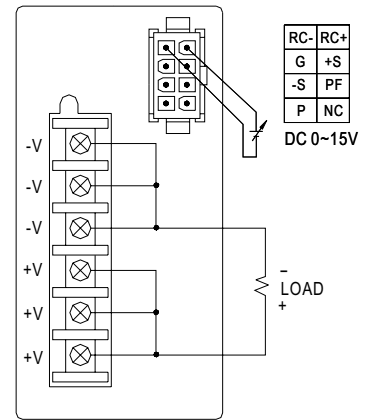


**Power Fail Signal**

PF Signal is the voltage difference between "G" and "PF" pin output



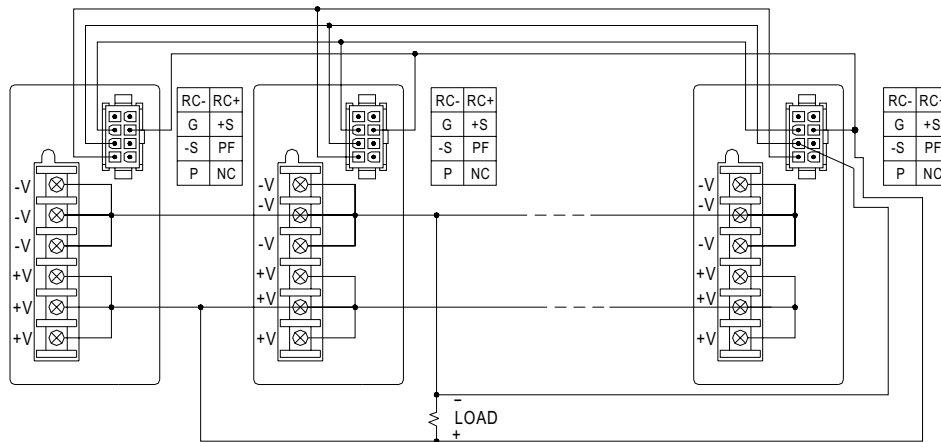
**Remote Sensing**



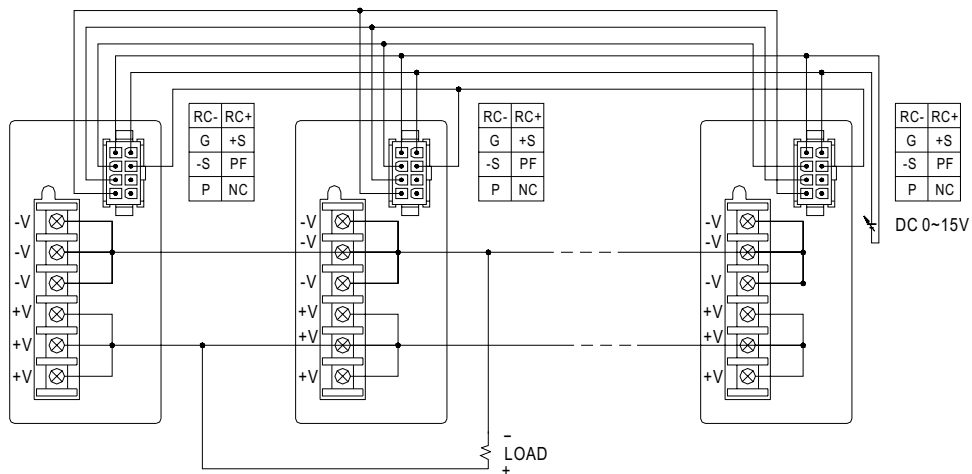
**Remote Control**

Power ON: When VRC+,RC-=0 ~ 0.8V or Open  
Power OFF: When VRC+,RC-=4 ~ 10V

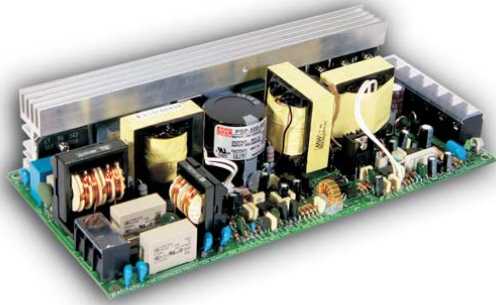
**Parallel Operation**



**Parallel Operation With Remote Sensing**



**Parallel Operation With Remote Control**



#### ■ Features :

- Universal AC input / Full range
- Built-in active PFC function, PF>0.95
- Protections: Short circuit/Over load/Over voltage/Over temperature
- Forced air cooling by built-in DC fan
- Current sharing up to 2000W(3+1)
- With power good and fail signal output
- Built-in remote ON-OFF control
- Built-in remote sense function
- 3 years warranty

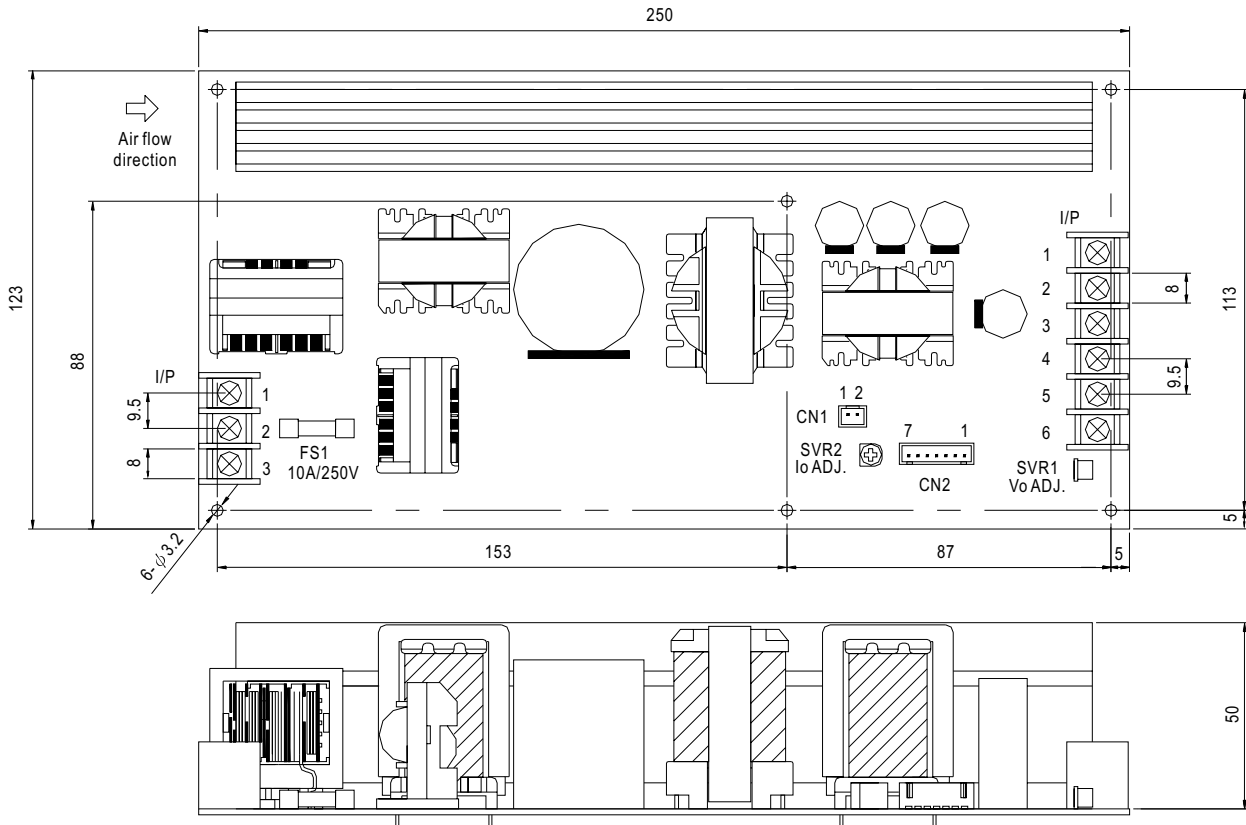


#### SPECIFICATION

MODEL		PSP-500-5P	PSP-500-12P	PSP-500-13.5P	PSP-500-15P	PSP-500-24P	PSP-500-27P	PSP-500-48P	
OUTPUT	DC VOLTAGE	5V	12V	13.5V	15V	24V	27V	48V	
	RATED CURRENT	80A	41.5A	37A	33A	20.8A	18.5A	10.5A	
	CURRENT RANGE	0 ~ 80A	0 ~ 41.5A	0 ~ 37A	0 ~ 33A	0 ~ 20.8A	0 ~ 18.5A	0 ~ 10.5A	
	RATED POWER	400W	498W	499.5W	495W	499.2W	499.5W	504W	
	RIPPLE & NOISE (max.) Note.2	100mVp-p	150mVp-p	150mVp-p	150mVp-p	150mVp-p	150mVp-p	200mVp-p	
	VOLTAGE ADJ. RANGE	4.75 ~ 5.5V	10 ~ 13.2V	12 ~ 15V	13.5 ~ 18V	20 ~ 26.4V	24 ~ 30V	41 ~ 56V	
	VOLTAGE TOLERANCE Note.3	±2.0%	±1.0%	±1.0%	±1.0%	±1.0%	±1.0%	±1.0%	
	LINE REGULATION	±0.5%	±0.3%	±0.3%	±0.3%	±0.2%	±0.2%	±0.2%	
	LOAD REGULATION	±2.0%	±0.5%	±0.5%	±0.5%	±0.5%	±0.5%	±0.5%	
	SETUP, RISE TIME	1500ms, 50ms at full load							
HOLD TIME (Typ.)	24ms at full load								
INPUT	VOLTAGE RANGE Note.5	90 ~ 264VAC		127 ~ 370VDC					
	FREQUENCY RANGE	47 ~ 63Hz							
	POWER FACTOR (Typ.)	0.95/230VAC		0.98/100VAC at full load					
	EFFICIENCY (Typ.)	76%	82%	82%	82%	84%	84%	86%	
	AC CURRENT (Typ.)	7A/115VAC	3.5A/230VAC						
	INRUSH CURRENT (Typ.)	20A/115VAC	40A/230VAC						
	LEAKAGE CURRENT	<1mA/ 240VAC							
PROTECTION	OVER LOAD	110 ~ 125% rated output power Protection type : Constant current limiting, recovers automatically after fault condition is removed							
	OVER VOLTAGE	5.75 ~ 6.75V	13.8 ~ 16.2V	15.5 ~ 18.2V	18 ~ 21V	27.6 ~ 32.4V	31 ~ 36.5V	57.6 ~ 67.2V	
	OVER TEMPERATURE	RTH2 ≥ 95°C Detect on heatsink of Q1,Q7 power transistor & L3 output choke Protection type : Shut down o/p voltage, recovers automatically after temperature goes down							
FUNCTION	REMOTE CONTROL	RC+/RC-: 0 ~ 0.8V=power on ; 4 ~ 10V=power off      sink current <4 ~ 10mA							
ENVIRONMENT	WORKING TEMP.	-10 ~ +60°C (Refer to output load derating curve)							
	WORKING HUMIDITY	20 ~ 90% RH with 30CFM forced air non-condensing							
	STORAGE TEMP., HUMIDITY	-20 ~ +85°C, 10 ~ 95% RH							
	TEMP. COEFFICIENT	±0.03%/°C (0 ~ 50°C)							
	VIBRATION	10 ~ 500Hz, 2G 10min./1cycle, 60min. each along X, Y, Z axes							
SAFETY & EMC (Note 4)	SAFETY STANDARDS	UL1950, TUV EN60950-1 Approved							
	WITHSTAND VOLTAGE	I/P-O/P:3KVAC    I/P-FG:1.5KVAC    O/P-FG:0.5KVAC							
	ISOLATION RESISTANCE	I/P-O/P, I/P-FG, O/P-FG:100M Ohms/500VDC							
	EMI CONDUCTION & RADIATION	Compliance to EN55022 (CISPR22) Class B							
	HARMONIC CURRENT	Compliance to EN61000-3-2,-3							
OTHERS	EMS IMMUNITY	Compliance to EN61000-4-2,3,4,5,6,8,11; ENV50204, EN55024, Light industry level, criteria A							
	MTBF	130.1K hrs min.    MIL-HDBK-217F (25°C)							
	DIMENSION	250*123*50mm (L*W*H)							
	PACKING	1.3Kg; 6pcs/7.8Kg/0.89CUFT							
NOTE	<ol style="list-style-type: none"> <li>1. All parameters NOT specially mentioned are measured at 230VAC input, rated load and 25°C of ambient temperature.</li> <li>2. Ripple &amp; noise are measured at 20MHz of bandwidth by using a 12" twisted pair-wire terminated with a 0.1uf &amp; 47uf parallel capacitor.</li> <li>3. Tolerance : includes set up tolerance, line regulation and load regulation.</li> <li>4. The power supply is considered a component which will be installed into a final equipment. The final equipment must be re-confirmed that it still meets EMC directives.</li> <li>5. Derating may be needed under low input voltages. Please check the derating curve for more details.</li> </ol>								

## Mechanical Specification

Unit:mm



### AC Input Terminal Pin. No. Assignment

Pin No.	Assignment
1	AC/L
2	AC/N
3	FG $\perp$

### DC Output Terminal Pin. No Assignment

Pin No.	Assignment
1~3	DC OUTPUT +V
4~6	DC OUTPUT -V

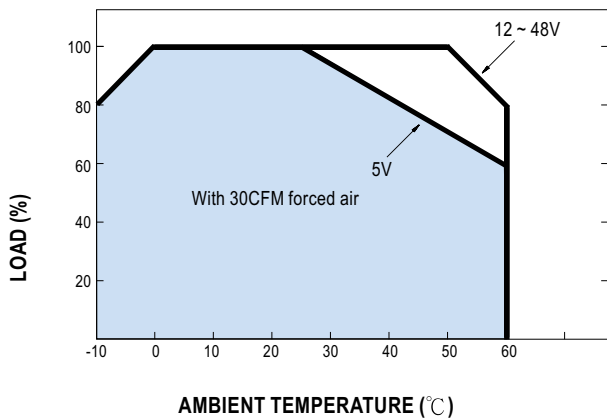
### Connector Pin. No. Assignment(CN1) : JST B2B-XH or equivalent

Pin No.	Assignment	Mating Housing	Terminal
1	GND	JST XHP or equivalent	JST SXH-001T-P0.6 or equivalent
2	+12V		

### Connector Pin. No. Assignment (CN2) : JST B7B-XH or equivalent

Pin No.	Assignment	Pin No.	Assignment	Mating Housing	Terminal
1	P(Current share)	5	Power fail signal	JST XHP or equivalent	JST SXH-001T-P0.6 or equivalent
2	+S	6	RC+		
3	-S	7	RC-		
4	GND				

## Derating Curve



## Output Derating VS Input Voltage

