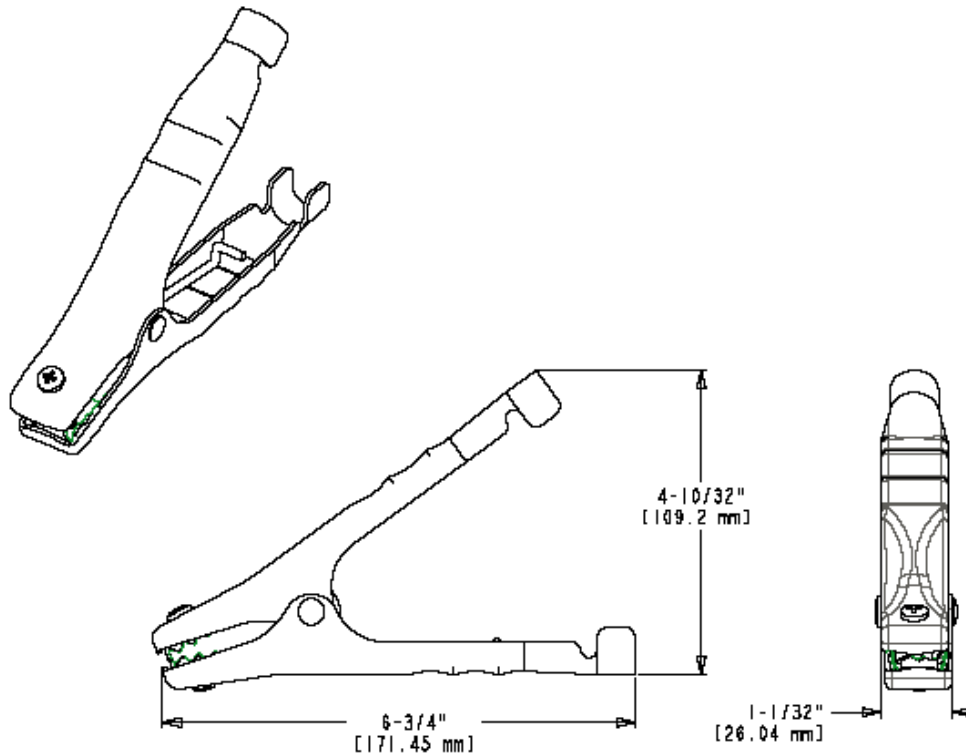




Part Number: BU-X15400-*

Description: Epoxy Coated Battery Clip

3107



- Epoxy Coated Battery Clip
- Jaw opens 1.50" (38.1 mm) max Locks on to both side and top mounted battery terminals
- Material: steel, epoxy coated clip with copper plated jaws
- Length: 6.75" (171.45 mm)
- *Std.Colors: -0 Black, -2 Red
- Rating: 200 Amps
- RoHS Compliant