

PLEASE CHECK WWW.MOLEX.COM FOR LATEST PART INFORMATION

Part Number: [0353030550](#)
Status: **Active**
Description: 2.00mm (.079") Pitch Wire-to-Board Header, Vertical, Blade Pin, Shrouded, 5 Circuits

Documents:

[3D Model](#) [Product Specification PS-35303-001 \(PDF\)](#)
[Drawing \(PDF\)](#) [RoHS Certificate of Compliance \(PDF\)](#)

Agency Certification

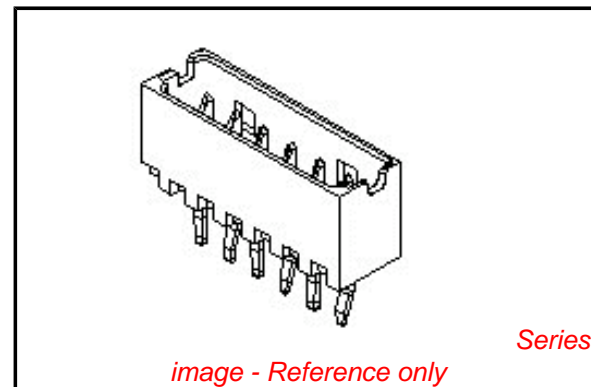
CSA LR 19980
 UL E29179

General

Product Family PCB Headers
 Series [35303](#)
 Application Wire-to-Board
 Product Name N/A

Physical

Breakaway No
 Circuits (Loaded) 5
 Circuits (maximum) 5
 Color - Resin Natural
 Durability (mating cycles max) 30
 First Mate / Last Break No
 Flammability 94V-0
 Glow-Wire Compliant No
 Guide to Mating Part No
 Keying to Mating Part None
 Lock to Mating Part Yes
 Material - Metal Phosphor Bronze
 Material - Plating Mating Tin
 Material - Plating Termination Tin
 Material - Resin Nylon
 Number of Rows 1
 Orientation Vertical
 PC Tail Length (in) 0.138 In
 PC Tail Length (mm) 3.50 mm
 PCB Locator No
 PCB Retention Yes
 PCB Thickness Recommended (in) 0.062 In
 PCB Thickness Recommended (mm) 1.60 mm
 Packaging Type Tube
 Pitch - Mating Interface (in) 0.079 In
 Pitch - Mating Interface (mm) 2.00 mm
 Plating min: Mating (µin) 32
 Plating min: Mating (µm) 0.80
 Plating min: Termination (µin) 32
 Plating min: Termination (µm) 0.80
 Polarized to PCB No
 Shrouded Partial
 Stackable No
 Surface Mount Compatible (SMC) No
 Temperature Range - Operating -20°C to +85°C
 Termination Interface: Style Through Hole



EU RoHS

ELV and RoHS Compliant
REACH SVHC
 Not Reviewed
Halogen-Free Status

China RoHS



Need more information on product environmental compliance?

Email productcompliance@molex.com
 For a multiple part number RoHS Certificate of Compliance, [click here](#)

Please visit the [Contact Us](#) section for any non-product compliance questions.

Search Parts in this Series

[35303Series](#)

Mates With

[51004 Wire-to-Board Housing](#)

Electrical

Current - Maximum per Contact

2A

Voltage - Maximum

125V

Material Info**Reference - Drawing Numbers**

Product Specification

PS-35303-001

Sales Drawing

SD-35303-001, SD-35303-010

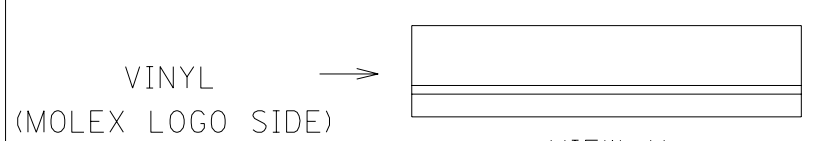
This document was generated on 04/15/2010

PLEASE CHECK WWW.MOLEX.COM FOR LATEST PART INFORMATION

DWG. NO. SD-35303-001

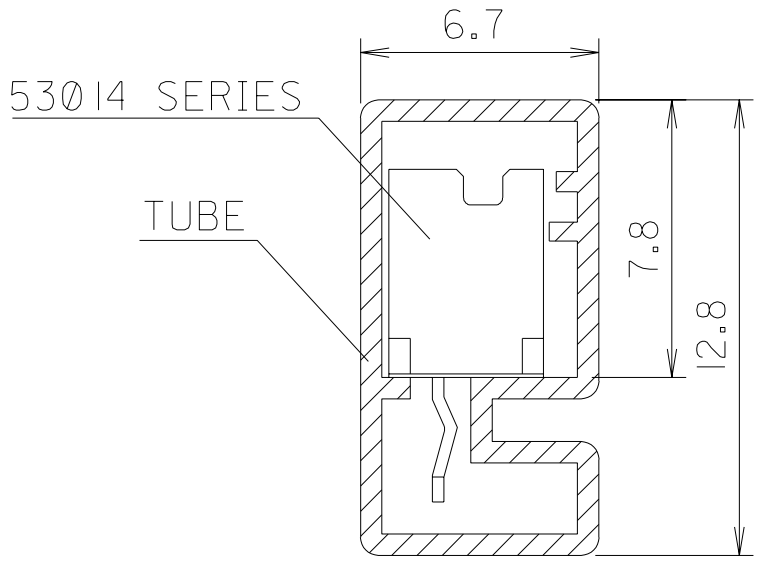
SIMILAR ITEM

PROJECT NO.



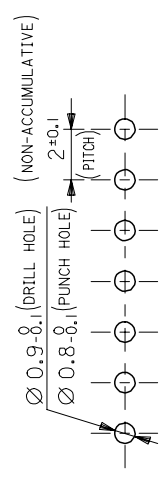
NOTES
 1. TUBE : STOPPER & VINYL LOCKING TYPE
 2. THICKNESS : 0.6+
 3. LENGTH : 550mm

LEGEND 35303-*** 5 *
 COLOR : 0 --- NATURAL
 1 --- BLACK
 2 --- RED
 3 --- YELLOW
 4 --- BLUE
 CKT (02, 03, 04, ...)



15	35303155*	35303-155*	8	35303085*	35303-085*	53014 SERIES	
14	35303145*	-145*	7	35303075*	-075*		
13	35303135*	-135*	6	35303065*	-065*		
12	35303125*	-125*	5	35303055*	-055*		
11	35303115*	-115*	4	35303045*	-045*		
10	35303105*	-105*	3	35303035*	-035*		
9	35303095*	35303-095*	2	35303025*	35303-025*		
CKTS	MAT'L NO.	ENG NO.	CKTS	MAT'L NO.	ENG NO.		USED ON

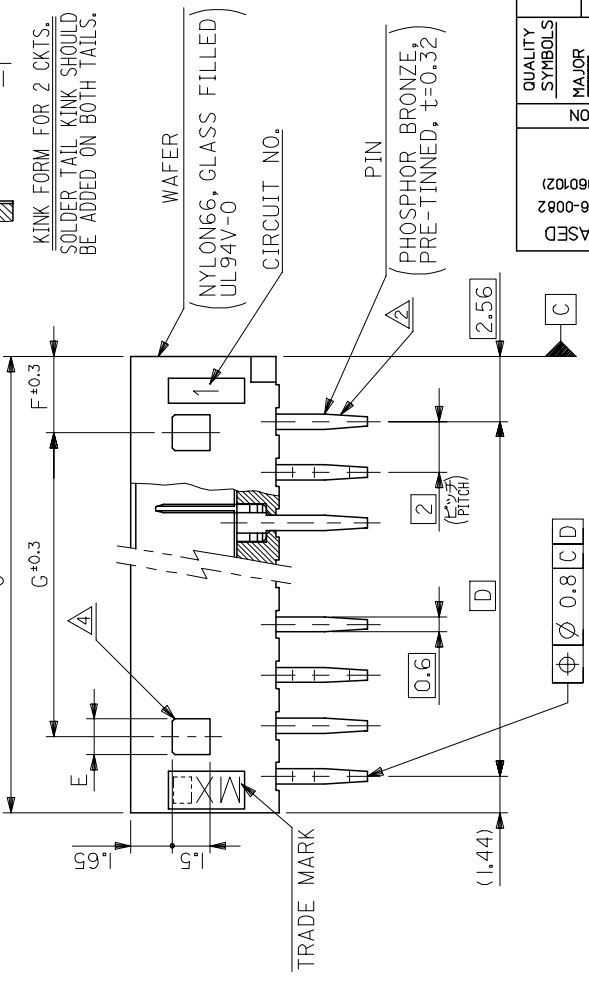
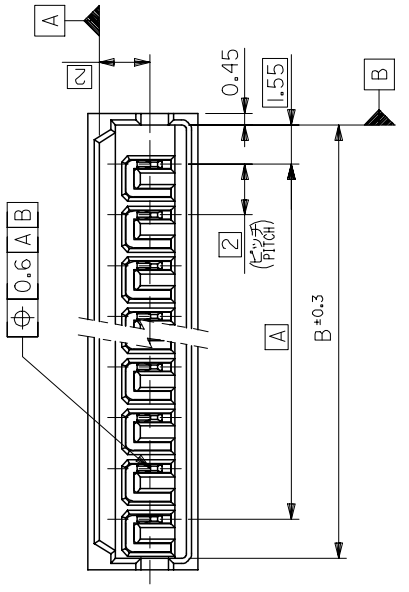
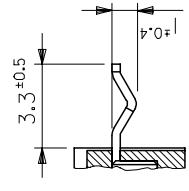
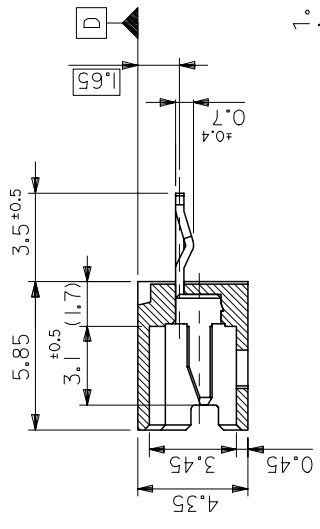
NEW RELEASED EC NO. KOR2004-0124 DRWN: K.S.KIM (040324) CH'K: J.K.OH APPR: C.W.LEE	DESCRIPTION MAJOR = CRITICAL =	GENERAL TOLERANCES: (UNLESS SPECIFIED)		SCALE NONE	DESIGN UNITS <input checked="" type="checkbox"/> mm <input type="checkbox"/> INCH	THIRD ANGLE PROJECTION 	DIMENSIONS: <input type="checkbox"/> mm <input type="checkbox"/> INCH <input type="checkbox"/> INCH <input type="checkbox"/> mm <input checked="" type="checkbox"/> mm ONLY	SHT REV	REVISE ON CAD ONLY
		4 PLACES $\pm 0.$ mm $\pm.$ INCH	DRAWN BY & DATE H.S.SHIN (910220)	TITLE: TUBE PACKAGED FOR 53014 SERIES					
		3 PLACES $\pm 0.$ mm $\pm.$ INCH	CHECKED BY & DATE J.K.OH						
		2 PLACES $\pm 0.$ mm $\pm.$ INCH	APPROVED BY & DATE C.W.LEE	MOLEX INCORPORATED KOREA					
1 PLACE $\pm 0.$ mm $\pm.$ INCH	CAD FILENAME SD-35303-001	MATERIAL NO. SEE TABLE	DRAWING NO. SD-35303-001				SHEET NO. 1 OF 1		
DRAFT WHERE APPLICABLE MUST REMAIN WITHIN DIMENSIONS	THIS DRAWING CONTAINS INFORMATION THAT IS PROPRIETARY TO MOLEX INCORPORATED AND SHOULD NOT BE USED WITHOUT WRITTEN PERMISSION.				SIZE A				



RECOMMENDED P.C. BOARD
HOLE DIMENSION(REFERENCE) t=1.6

NOTES

- MATES WITH : 51004-***00
- KINK TO BE ADDED ON THE ODD NUMBER SOLDER TAILS.(FROM THE TRADE MARK SIDE.)
- * MARK INDICATES DYED COLOR :
"0" NATURAL, "1" BLACK, "2" RED, "3" YELLOW, "4" BLUE
- LOCKING HOLE : 1 PLACE FOR 2, 3 CKTS. AND MORE THAN 4 CKTS.



PROJECT NO.	SCALE	DESIGN UNITS	THIRD ANGLE PROJECTION	APPLIED ITEM	ENG. NO.	ENG. NO.	NO. OF CKTS.
26	3	1.4	28	31.1	28	53014-15*	35303-155*
24	3	1.4	26	29.1	26	-14*	35303-145*
22	3	1.4	24	27.1	24	-13*	35303-135*
20	3	1.4	22	25.1	22	-12*	35303-125*
18	3	1.4	20	23.1	20	-11*	35303-115*
16	3	1.4	18	21.1	18	-10*	35303-105*
14	3	1.4	16	19.1	16	-09*	35303-095*
12	3	1.4	14	17.1	14	-08*	35303-085*
10	3	1.4	12	15.1	12	-07*	35303-075*
8	3	1.4	10	13.1	10	-06*	35303-065*
6	3	1.4	8	11.1	8	-05*	35303-055*
4	3	1.4	6	9.1	6	-04*	35303-045*
---	4	3.4	4	7.1	4	-03*	35303-035*
---	3	1.4	2	5.1	2	53014-02*	35303-025*
G	F	E	D	C	B	A	ENG. NO. Δ

GENERAL TOLERANCES: (UNLESS SPECIFIED)	SCALE	DESIGN UNITS	THIRD ANGLE PROJECTION	APPLIED ITEM	ENG. NO.	ENG. NO.	NO. OF CKTS.
MITT	5:1	MITT	MITT	MITT	MITT	MITT	MITT
4 PLACES $\pm 0.$	\pm	DRAWN BY & DATE	\square	\square	\square	\square	\square
3 PLACES $\pm 0.$	\pm	K-SKIM (060102)	\square	\square	\square	\square	\square
2 PLACES $\pm 0.$	\pm	CHECKED BY & DATE	\square	\square	\square	\square	\square
1 PLACE $\pm 0.$	\pm	Y.500/KIM	\square	\square	\square	\square	\square
ANGULAR: \pm	$^{\circ}$	APPROVED BY & DATE	\square	\square	\square	\square	\square
		S.H.CHOI	\square	\square	\square	\square	\square
		CAD FILENAME	\square	\square	\square	\square	\square
		DRAWING NO.	\square	\square	\square	\square	\square
		SD-35303-010	\square	\square	\square	\square	\square
		SHEET NO.	\square	\square	\square	\square	\square
		1 OF 1	\square	\square	\square	\square	\square
		SIZE	\square	\square	\square	\square	\square
		B	\square	\square	\square	\square	\square

DO NOT SCALE DRAWING
DIMENSION IN METRIC

NEW RELEASED
ECN NO. KOR2006-0082
DRWN: K.S.KIM (060102)
CTR: Y.500/KIM
APP: S.H.CHOI

DESCRIPTION

MAJOR \blacktriangle
CRITICAL \triangle

QUALITY SYMBOLS

GENERAL TOLERANCES:
ANGLE 30 OVER $\pm 3^{\circ}$
10 OVER 30 UNDER ± 0.3
10 UNDER ± 0.25
GENERAL TOLERANCES ± 0.2

DRAFT WHERE APPLICABLE MUST REMAIN WITHIN DIMENSIONS

APPROVED BY & DATE
S.H.CHOI

CAD FILENAME

DRAWING NO. SD-35303-010

SHEET NO. 1 OF 1

SIZE B

INCORPORATED AND SHOULD NOT BE USED WITHOUT WRITTEN PERMISSION.

THIS DRAWING CONTAINS INFORMATION THAT IS PROPRIETARY TO MOLEX INCORPORATED

TITLE: 2.0 LOW PROFILE WAFER ASSY

MATERIAL NO. MOLEX INCORPORATED

KOREA

2

3

4

5

6

7

8

MX-A3