

PLEASE CHECK WWW.MOLEX.COM FOR LATEST PART INFORMATION

Part Number: [0850091005](#)
Status: **Active**
Overview: [din_41612](#)
Description: 2.54mm (.100") Pitch DIN 41612 M Style Male Header, Right Angle, Through Hole, 24 Circuits, without Mounting Clips, No Flux Proof

Documents:

[Drawing \(PDF\)](#) [RoHS Certificate of Compliance \(PDF\)](#)
[Product Specification PS-85003-0001 \(PDF\)](#)

Agency Certification

CSA LR19980
 UL E29179

General

Product Family Backplane Connectors
 Series [85009](#)
 Application Backplane
 Comments No Mounting Clips. No Flux Proof
 Component Type PCB Header
 Overview [din_41612](#)
 Product Name IEC 603-2/DIN 41612
 Style M

Physical

Circuits (Loaded) 24
 Circuits (maximum) 24
 Circuits Detail Standard Contacts at: B:b13-b20; C:c13-c20. First-Mate-Last-Break Contacts at: Z:a13-a20
 Durability (mating cycles max) 400
 First Mate / Last Break Yes
 Flammability 94V-0
 Guide to Mating Part No
 Keying to Mating Part Yes
 Material - Metal Brass
 Material - Plating Mating Gold
 Material - Plating Termination Tin
 Number of Columns 8
 Number of Pairs Open Pin Field
 Number of Rows 3
 Orientation Right Angle
 PC Tail Length (in) 0.118 In
 PC Tail Length (mm) 3.00 mm
 PCB Locator No
 PCB Retention Yes
 Packaging Type Tray
 Pitch - Mating Interface (in) 0.100 In
 Pitch - Mating Interface (mm) 2.54 mm
 Pitch - Term. Interface (in) 0.100 In
 Pitch - Term. Interface (mm) 2.54 mm
 Plating min: Mating (µin) 24
 Plating min: Mating (µm) 0.60
 Plating min: Termination (µin) 98
 Plating min: Termination (µm) 2.5
 Polarized to PCB Yes
 Stackable No

EU RoHS **China RoHS**

Compliance Status

Not Reviewed

REACH SVHC

Not Reviewed

Halogen-Free

Status

Not Reviewed

Need more information on product environmental compliance?

Email productcompliance@molex.com
 For a multiple part number RoHS Certificate of Compliance, [click here](#)

Please visit the [Contact Us](#) section for any non-product compliance questions.

Search Parts in this Series

[85009Series](#)

Surface Mount Compatible (SMC)	No
Temperature Range - Operating	-55°C to +125°C
Termination Interface: Style	Through Hole

Electrical

Current - Maximum per Contact	1A
Data Rate	622.0 Mbps
Voltage - Maximum	250V AC (RMS)

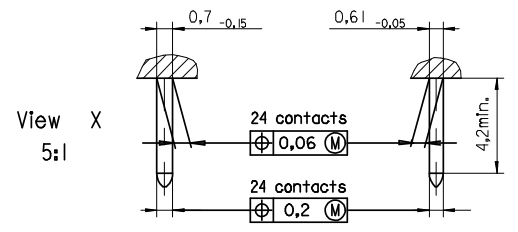
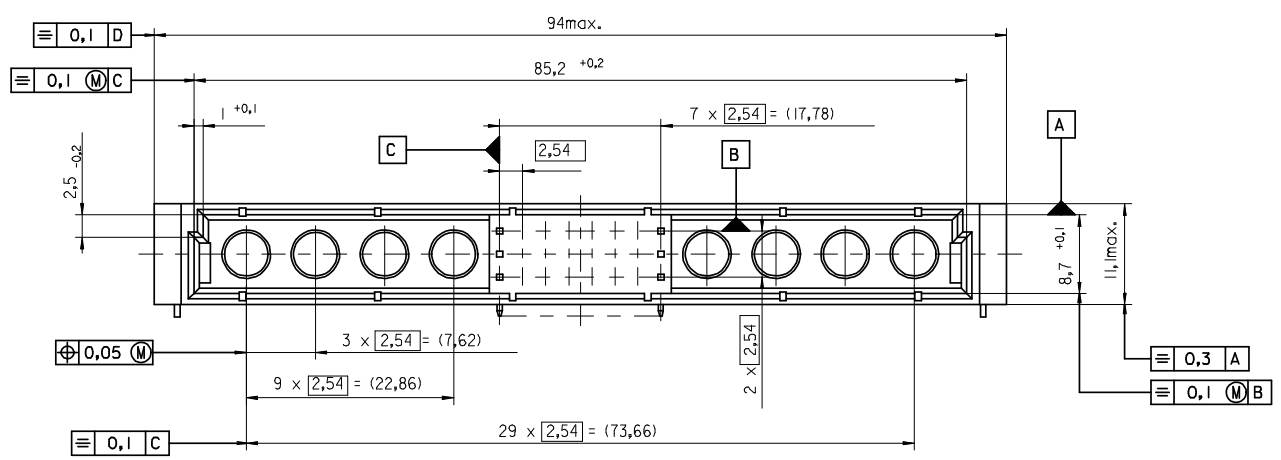
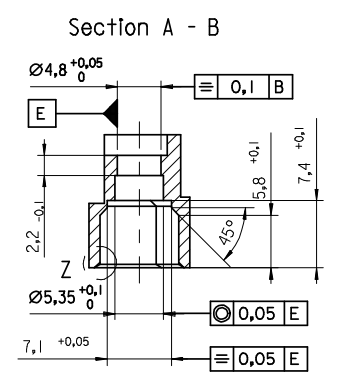
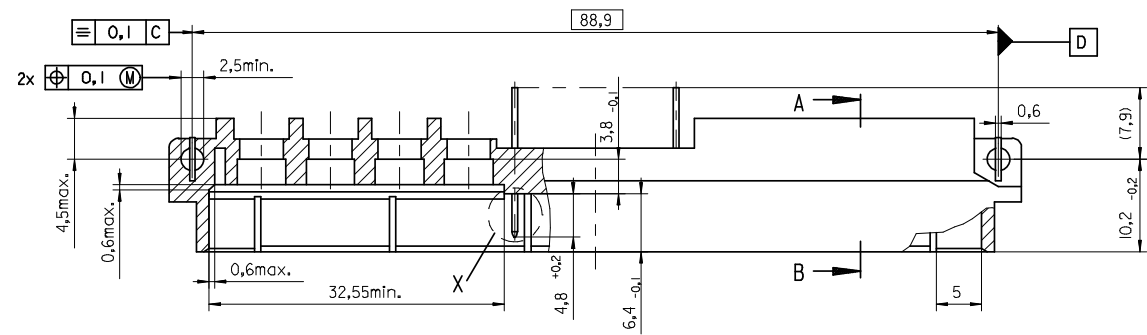
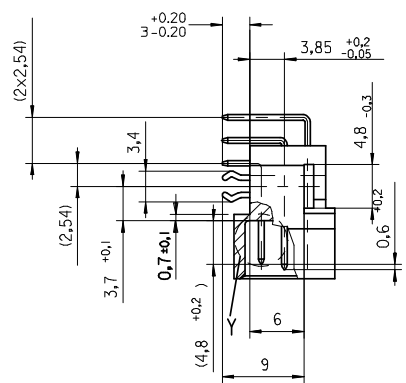
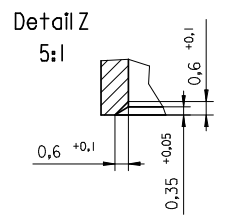
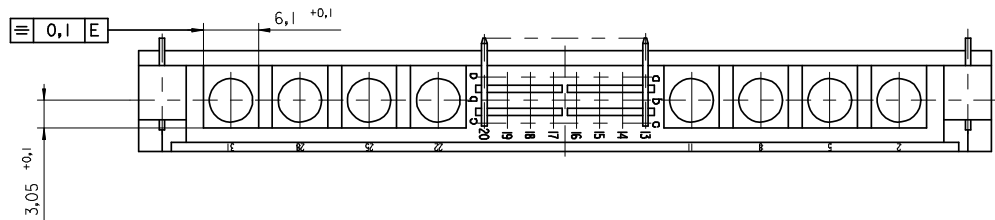
Material Info

Reference - Drawing Numbers

Packaging Specification	PK-85009-001
Product Specification	PS-85003-0001
Sales Drawing	SDA-85009-0001, SDA-85009-1005

This document was generated on 05/17/2010

PLEASE CHECK WWW.MOLEX.COM FOR LATEST PART INFORMATION



EC NO: 12009-0039 2008/07/28 DRWNSJ CHKD:KPRASAD 2008/07/31 APPR:KPRASAD 2008/08/11 REV DESCRIPTION	QUALITY SYMBOLS ▽ = ▽ =	GENERAL TOLERANCES (UNLESS SPECIFIED) <table border="1"> <tr> <th></th> <th>mm</th> <th>INCH</th> </tr> <tr> <td>4 PLACES</td> <td>± ---</td> <td>± ---</td> </tr> <tr> <td>3 PLACES</td> <td>± ---</td> <td>± ---</td> </tr> <tr> <td>2 PLACES</td> <td>± ---</td> <td>± ---</td> </tr> <tr> <td>1 PLACE</td> <td>± ---</td> <td>± ---</td> </tr> </table>		mm	INCH	4 PLACES	± ---	± ---	3 PLACES	± ---	± ---	2 PLACES	± ---	± ---	1 PLACE	± ---	± ---	DIMENSION STYLE MM ONLY	SCALE 2:1	DESIGN UNITS METRIC	THIRD ANGLE PROJECTION
		mm	INCH																		
4 PLACES	± ---	± ---																			
3 PLACES	± ---	± ---																			
2 PLACES	± ---	± ---																			
1 PLACE	± ---	± ---																			
DRAFT WHERE APPLICABLE MUST REMAIN WITHIN DIMENSIONS	DRAWN BY CA DATE 1995/06/12	CHECKED BY KN DATE 1995/06/12	APPROVED BY KN DATE 1995/06/12	MATERIAL NO. -----	DOCUMENT NO. SDA-85009-0001	SHEET NO. 1 OF 2															

24POS.
MALE DIN CONNECTOR
DIN 41612 STYLE M



MOLEX INCORPORATED

THIS DRAWING CONTAINS INFORMATION THAT IS PROPRIETARY TO MOLEX INCORPORATED AND SHOULD NOT BE USED WITHOUT WRITTEN PERMISSION

View on mating side

o										C	C	C	C	C	C	C							
o										B	B	B	B	B	B	B							
o										Z	Z	Z	Z	Z	Z	Z							

Q R S T U V W X Y Z [\] ^ _ ` a b c d e f g h i j k l m n o p q r s t u v w x y z

- B = 8 standard contacts L=3
- C = 8 standard contacts L=3
- Z = 8 FMLB contacts +0.6 L=3

- S = 24 total number of contacts

Marking	Standard
Performance level	G2/0 = Contact area level2 / Termination tin
Flux proof	no
Fixing clip	no
Dimensions	SDA-85009-0001 sht.1
Technical Data	PS-85003-0001

Z	G2/0	a13-20
C	G2/0	c13-20
B	G2/0	b13-20
Contact symbol	Perform. level	Contact position number

ECN No. MC1998-2596 first release	REVISIONS		FOR PREVIOUS REVISIONS SEE MRI LIST		DRWG BY Cc	SIGN	CAD/CAM PROJECT NAME s85009/0 s01	REVISE ONLY ON CAD SYSTEM	SH. REV.
	LTR								
					CHK'D BY KN	SIGN	THIS DRAWING CONTAINS INFORMATION THAT IS PROPRIETARY TO MOLEX INC. & SHOULD NOT BE USED WITHOUT WRITTEN PERMISSION		
					APP'D BY JB	SIGN	TITLE		
							24 pos. Male connector acc. DIN 41612 style M contacts arrangement		
							MOLEX EUROPE		
							85009-1005		
							SDA-85009-1005		
							1 OF 1		
							97/09/24		
							SIZE		
							A		

IF TWO DIMENSIONS ARE SHOWN, THE UPPER IS THE DESIGN DIMENSION, LOWER IS SECONDARY