

ISDN / ADSL CO Splitter Filter
0802-1000-33

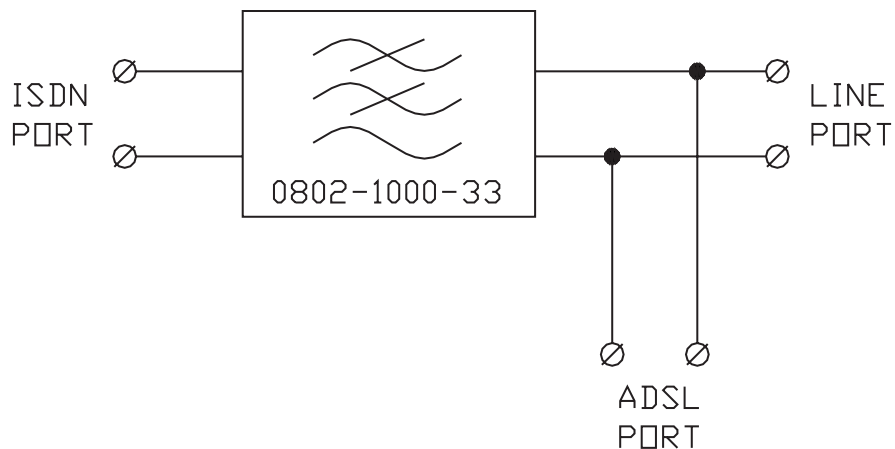
FEATURES

- ISDN over ADSL Central Office (CO) splitter
- Designed to meet ETSI specifications TS 101 952-1-3 v1.1.1
- LPF matched to 135 ohms line impedance for ISDN 2B1Q applications

SPECIFICATIONS @ 25° C

Parameter	Frequency	Requirement
ISDN Impedance	1.0 kHz to 80 kHz	135 Ohms
ISDN Insertion Loss	1.0 kHz to 40 kHz	-0.8 dB MAX
	40 kHz to 80 kHz	-2.0 dB MAX
ISDN Return Loss	1.0 kHz to 40 kHz	-16 dB MIN
	40 kHz to 80 kHz	-14 dB MIN
ISDN Group Delay	1.0 kHz to 80 kHz	<20 us MAX
Stop Band Attenuation	150 kHz to 1104 kHz	-65 dB MIN
Isolation For ADSL	170 kHz to 1104 kHz	<1 dB
DC Current	DC	60 mA
DC Resistance	DC	12.5 Ohms MAX

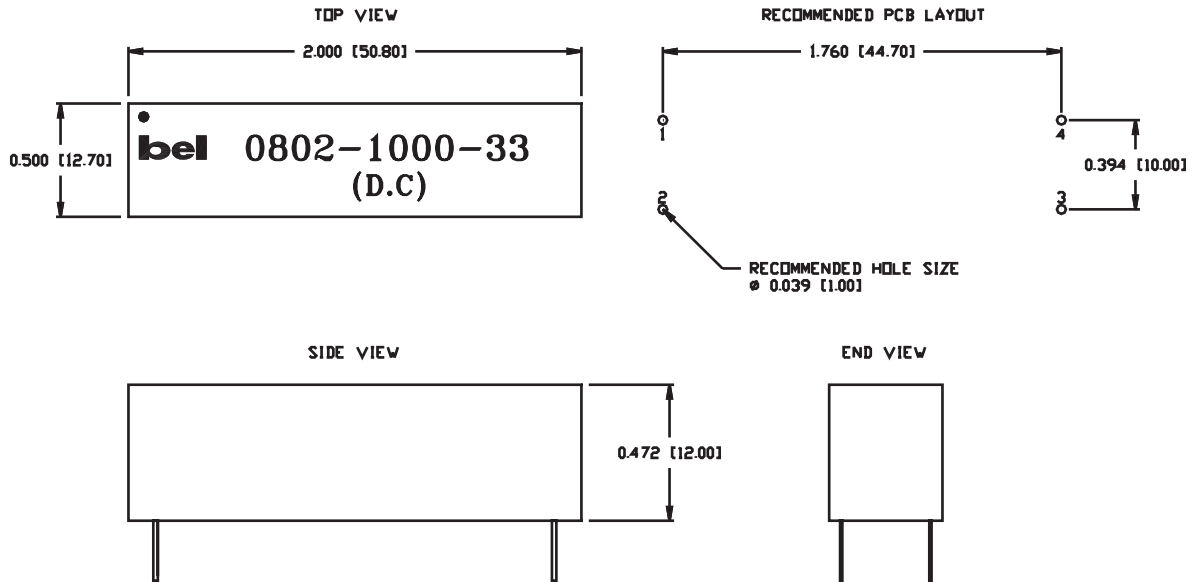
BLOCK DIAGRAM





ISDN / ADSL CO Splitter Filter 0802-1000-33

MECHANICAL



NOTE: ALL DIMENSIONS IN INCHES [MM]

Signal	Pin
Line ISDN & ADSL	1
Line ISDN & ADSL	2
ISDN	3
ISDN	4

©2006 Bel Fuse Inc. Specifications subject to change without notice. 03.16.06

CORPORATE

Bel Fuse Inc.
206 Van Vorst Street
Jersey City, NJ 07302
Tel 201-432-0463
Fax 201-432-9542
www.belfuse.com

FAR EAST

Bel Fuse Ltd.
8F / 8 Luk Hop Street
San Po Kong
Kowloon, Hong Kong
Tel 852-2328-5515
Fax 852-2352-3706
www.belfuse.com

EUROPE

Bel Stewart Connector
45/46 Riverside
Medway City Estate
Rochester, Kent ME2 4DP U.K.
Tel 44-1634-722890
Fax 44-1634-716677
www.belfuse.com