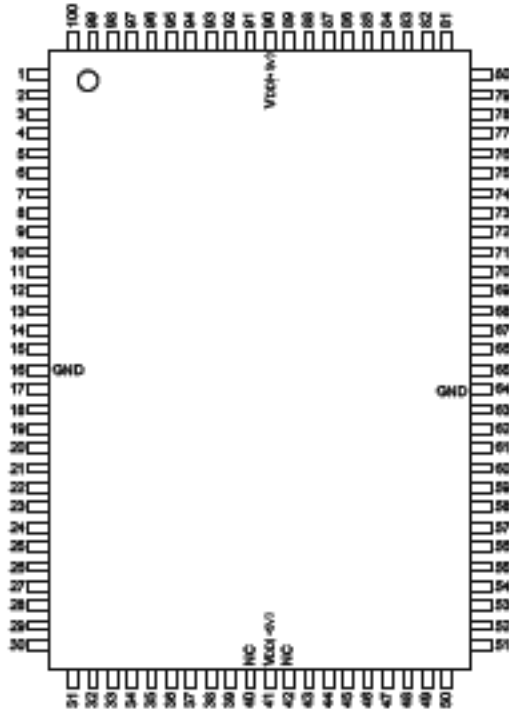
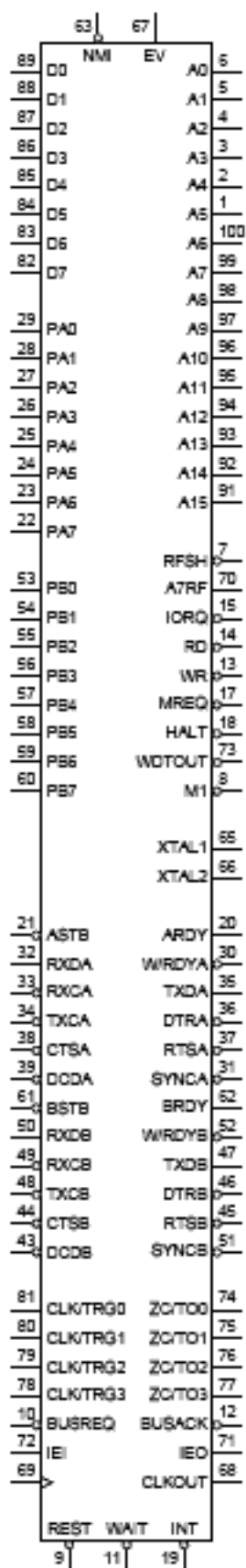

C-MOS 8-BIT MICROPROCESSOR
-TOP VIEW-

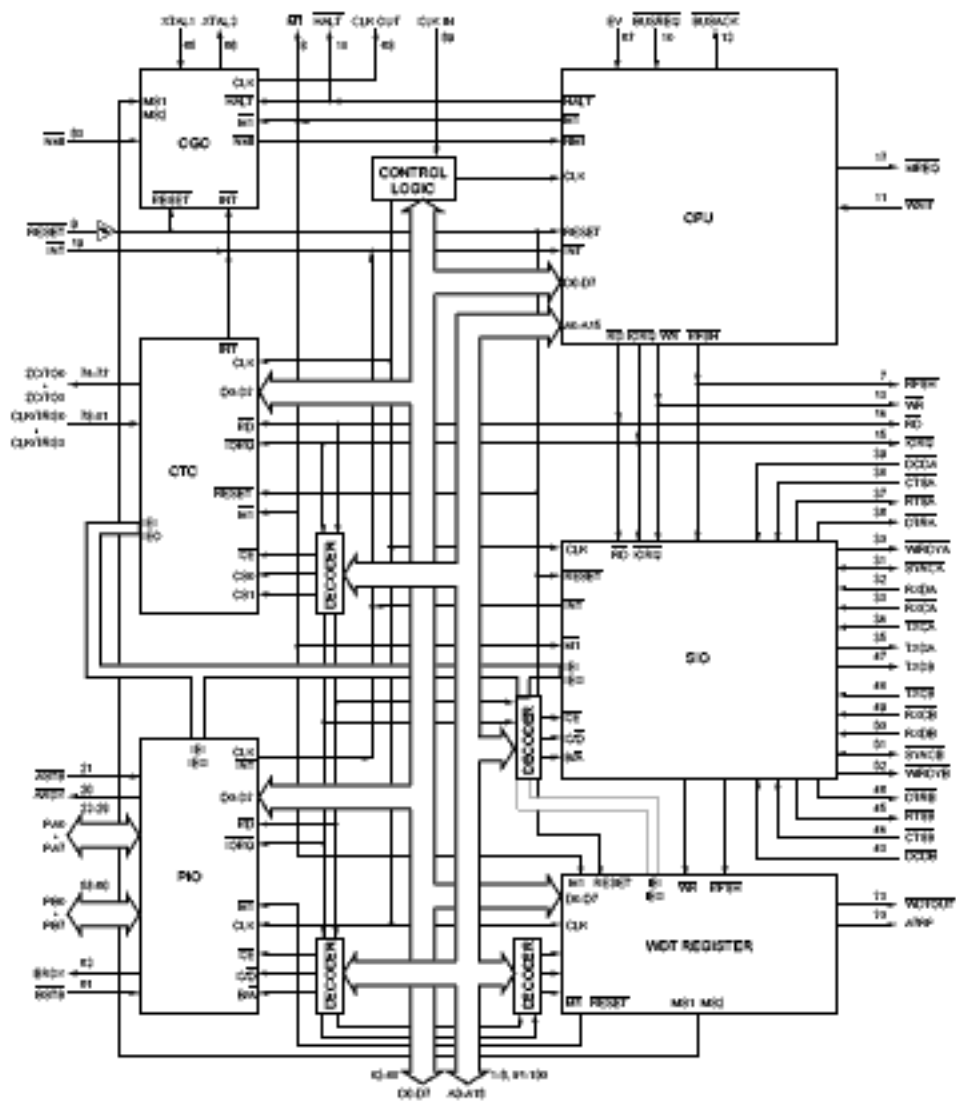


(Vcc = +5V)

NO.	IO	SIGNAL	NO.	IO	SIGNAL	NO.	IO	SIGNAL	NO.	IO	SIGNAL
1	O	A5	26	IO	PA5	51	IO	SYNCS	76	O	ZC/T02
2	O	A4	27	IO	PA2	52	O	WDRFS	77	O	ZC/T03
3	O	A3	28	IO	PA1	53	IO	PB0	78	I	CLK/TRG3
4	O	A2	29	IO	PA0	54	IO	PB1	79	I	CLK/TRG2
5	O	A1	30	O	WRDYS	55	IO	PB2	80	I	CLK/TRG1
6	O	A0	31	IO	SYNCS	56	IO	PB3	81	I	CLK/TRG0
7	O	RPST	32	I	RADA	57	IO	PB4	82	IO	D7
8	O	MI	33	I	RACA	58	IO	PB5	83	IO	D6
9	I	REST	34	I	TXDA	59	IO	PB6	84	IO	D5
10	I	BUSREQ	35	O	TADA	60	IO	PB7	85	IO	D4
11	I	WAIT	36	O	DTRA	61	I	SETB	86	IO	D3
12	O	BUSACK	37	O	RTSA	62	O	BRDY	87	IO	D2
13	O	WR	38	I	CTSA	63	I	NEI	88	IO	D1
14	O	RD	39	I	DCDA	64	—	GND	89	IO	D0
15	O	RD	40	—	NC	65	I	XTAL1	90	—	V50
16	—	GND	41	—	Vcc	66	O	XTAL2	91	O	A15
17	O	MREQ	42	—	NC	67	I	EV	92	O	A14
18	O	PALT	43	I	DCDB	68	O	CLKOUT	93	O	A13
19	I	INT	44	I	CTSB	69	I	CLKIN	94	O	A12
20	O	ARDY	45	O	RTSB	70	O	A7RF	95	O	A11
21	I	ASTB	46	O	DTRB	71	O	RD	96	O	A10
22	IO	PA7	47	O	TXDB	72	I	IEI	97	O	A9
23	IO	PA6	48	I	TXCB	73	O	WDRFS	98	O	A8
24	IO	PA5	49	I	RACB	74	O	ZC/T03	99	O	A7
25	IO	PA4	50	I	RACB	75	O	ZC/T01	100	O	A6

TMPZ84C015AF (2/3)





AD-A15	: 3-STATE ADDRESS BUS OUTPUTS	WR	: 3-STATE WRITE OUTPUT
BUSACK	: BUS ACKNOWLEDGE OUTPUT	ZC/TD-D3	: ZERO COUNT/TIME OUT 0-3 OUTPUT
BUSREQ	: BUS REQUEST INPUT	RYA	: PORT A STROBE PULSE INPUT
CLK/TREQ-D	: EXTERNAL CLOCK/TIMER TRIGGER 0-3 INPUTS	RYB	: REGISTER A READY OUTPUT
DD-D7	: 3-STATE DATA BUS INPUTS/OUTPUTS	RYC	: PORT B STROBE PULSE INPUT
EV	: EVALUATOR INPUT	RYD	: REGISTER B READY OUTPUT
HALT	: HALT OUTPUT	RYE	: SYNC INPUT/OUTPUT
ISEND	: CTC INTERRUPT ENABLE INPUT/OUTPUT	RYF	: WAITREADY OUTPUT
INT	: MASKABLE INTERRUPT REQUEST INPUT	RYG	: SERIAL DATA INPUT
IOREQ	: 3-STATE IO REQUEST OUTPUT	RYH	: RECEIVE CLOCK INPUT
M1	: 3-STATE MACHINE CYCLE 1 OUTPUT	RYI	: TRANSMISSION CLOCK INPUT
MREQ	: 3-STATE MEMORY REQUEST OUTPUT	RYJ	: SERIAL DATA OUTPUT
M2	: NON-MASKABLE INTERRUPT REQUEST INPUT	RYK	: DATA TERMINAL READY OUTPUT
PAD-PAT, PBD-PBT	: 3-STATE IO PORT	RYL	: TRANSMISSION REQUEST OUTPUT
RD	: 3-STATE READ OUTPUT	RYM	: TRANSMISSION ENABLE INPUT
RESET	: RESET INPUT	RYN	: DATA CARRIER DETECT OUTPUT
RFRESH	: REFRESH OUTPUT	RYO	: WATCH DOG TIMER OUTPUT
SPW	: WAIT REQUEST INPUT		