

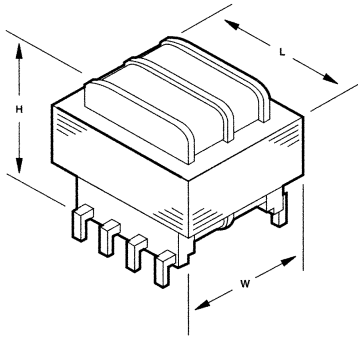
# Power Transformers

Class B  
UL Recognized



UL File E53148

## PC Mount: Split Pack™



### :: Description

The Triad Split Pack split bobbin transformer is an extremely versatile tool for PC board applications. Split Pack transformers are nonconcentrically wound -- with primaries and secondaries side-by-side. Unlike the secondary-on-top-of-primary designs of standard PC board transformers, the split bobbin winding and low capacitive coupling eliminate costly electrostatic shielding. It is offered in a dual secondary configuration with either single or dual primaries.

### :: Specifications

**Primary:** 115 V, 50/60 Hz | **VA Ranges:** 1.1 to 36.0

**Secondary:** Series - 10 to 120 V; Parallel - 5 to 60 V

### :: Split Pack

| Section  | Single Primary<br>6 Pin | Dual Primary<br>8 Pin | VA                | Secondary         |                | Dimensions      |             |        |        |       |        |       | Wt.<br>Lbs. |
|----------|-------------------------|-----------------------|-------------------|-------------------|----------------|-----------------|-------------|--------|--------|-------|--------|-------|-------------|
|          |                         |                       |                   | Series            | Parallel       | H               | W           | L      | ML     | A     | B      | C     |             |
| A        | F10-110                 | FS10-110              | 1.1               | 10.0V CT @ 0.11A  | 5.0V @ 0.22A   | 15/16           | 1 1/8       | 1 1/8  | •      | 0.250 | 0.250  | 1.20  | 0.17        |
|          | F12-090                 | FS12-090              |                   | 12.6V CT @ 0.09A  | 6.3V @ 0.18A   |                 |             |        |        |       |        |       |             |
|          | F16-070                 | FS16-070              |                   | 16.0V CT @ 0.07A  | 8.0V @ 0.14A   |                 |             |        |        |       |        |       |             |
|          | F20-055                 | FS20-055              |                   | 20.0V CT @ 0.055A | 10.0V @ 0.11A  |                 |             |        |        |       |        |       |             |
|          | F24-045                 | FS24-045              |                   | 24.0V CT @ 0.045A | 12.0V @ 0.09A  |                 |             |        |        |       |        |       |             |
|          | F28-040                 | FS28-040              |                   | 28.0V CT @ 0.040A | 14.0V @ 0.08A  |                 |             |        |        |       |        |       |             |
|          | F36-030                 | FS36-030              |                   | 36.0V CT @ 0.03A  | 18.0V @ 0.06A  |                 |             |        |        |       |        |       |             |
|          | F48-023                 | FS48-023              |                   | 48.0V CT @ 0.023A | 24.0V @ 0.046A |                 |             |        |        |       |        |       |             |
|          | F56-020                 | FS56-020              |                   | 56.0V CT @ 0.02A  | 28.0V @ 0.04A  |                 |             |        |        |       |        |       |             |
|          | F120-010                | FS120-01              |                   | 120.0V CT @ 0.01A | 60.0V @ 0.02A  |                 |             |        |        |       |        |       |             |
|          | B                       | F10-250               |                   | FS10-250          | 2.5            |                 |             |        |        |       |        |       |             |
| F12-200  |                         | FS12-200              | 12.6V CT @ 0.2A   | 6.3V @ 0.4A       |                |                 |             |        |        |       |        |       |             |
| F16-150  |                         | FS16-150              | 16.0V CT @ 0.15A  | 8.0V @ 0.3A       |                |                 |             |        |        |       |        |       |             |
| F20-120  |                         | FS20-120              | 20.0V CT @ 0.12A  | 10.0V @ 0.24A     |                |                 |             |        |        |       |        |       |             |
| F24-100  |                         | FS24-100              | 24.0V CT @ 0.1A   | 12.0V @ 0.2A      |                |                 |             |        |        |       |        |       |             |
| F28-85   |                         | FS28-85               | 28.0V CT @ 0.085A | 14.0V @ 0.17A     |                |                 |             |        |        |       |        |       |             |
| F36-65   |                         | FS36-65               | 36.0V CT @ 0.065A | 18.0V @ 0.13A     |                |                 |             |        |        |       |        |       |             |
| F48-050  |                         | FS48-050              | 48.0V CT @ 0.05A  | 24.0V @ 0.1A      |                |                 |             |        |        |       |        |       |             |
| F56-045  |                         | FS56-045              | 56.0V CT @ 0.045A | 28.0V @ 0.09A     |                |                 |             |        |        |       |        |       |             |
| F120-020 |                         | FS120-02              | 120.0V CT @ 0.02A | 60.0V @ 0.04A     |                |                 |             |        |        |       |        |       |             |
| C        |                         | F10-600               | FS10-600          | 6.0               |                | 10.0V CT @ 0.6A | 5.0V @ 1.2A | 1 1/16 | 1 1/16 | 1 1/8 | 1 1/16 | 0.250 | 0.350       |
|          | F12-500                 | FS12-500              | 12.6V CT @ 0.5A   |                   | 6.3V @ 1.0A    |                 |             |        |        |       |        |       |             |
|          | F16-400                 | FS16-400              | 16.0V CT @ 0.4A   |                   | 8.0V @ 0.8A    |                 |             |        |        |       |        |       |             |
|          | F20-300                 | FS20-300              | 20.0V CT @ 0.3A   |                   | 10.0V @ 0.6A   |                 |             |        |        |       |        |       |             |
|          | F24-250                 | FS24-250              | 24.0V CT @ 0.25A  |                   | 12.0V @ 0.5A   |                 |             |        |        |       |        |       |             |
|          | F28-200                 | FS28-200              | 28.0V CT @ 0.2A   |                   | 14.0V @ 0.4A   |                 |             |        |        |       |        |       |             |
|          | F36-170                 | FS36-170              | 36.0V CT @ 0.17A  |                   | 18.0V @ 0.34A  |                 |             |        |        |       |        |       |             |
|          | F48-125                 | FS48-125              | 48.0V CT @ 0.125A |                   | 24.0V @ 0.25A  |                 |             |        |        |       |        |       |             |
|          | F56-110                 | FS56-110              | 56.0V CT @ 0.11A  |                   | 28.0V @ 0.22A  |                 |             |        |        |       |        |       |             |
|          | F120-050                | FS120-05              | 120.0V CT @ 0.05A |                   | 60.0V @ 0.1A   |                 |             |        |        |       |        |       |             |
|          | D                       | F10-1200              | FS10-1200         |                   | 12.0           | 10.0V CT @ 1.2A | 5.0V @ 2.4A |        |        |       |        |       |             |
| F12-1000 |                         | FS12-1000             | 12.6V CT @ 1.0A   | 6.3V @ 2.0A       |                |                 |             |        |        |       |        |       |             |
| F16-800  |                         | FS16-800              | 16.0V CT @ 0.8A   | 8.0V @ 1.6A       |                |                 |             |        |        |       |        |       |             |
| F20-600  |                         | FS20-600              | 20.0V CT @ 0.6A   | 10.0V @ 1.2A      |                |                 |             |        |        |       |        |       |             |
| F24-500  |                         | FS24-500              | 24.0V CT @ 0.5A   | 12.0V @ 1.0A      |                |                 |             |        |        |       |        |       |             |
| F28-420  |                         | FS28-420              | 28.0V CT @ 0.42A  | 14.0V @ 0.84A     |                |                 |             |        |        |       |        |       |             |
| F36-350  |                         | FS36-350              | 36.0V CT @ 0.35A  | 18.0V @ 0.7A      |                |                 |             |        |        |       |        |       |             |
| F48-250  |                         | FS48-250              | 48.0V CT @ 0.25A  | 24.0V @ 0.5A      |                |                 |             |        |        |       |        |       |             |
| F56-220  |                         | FS56-220              | 56.0V CT @ 0.22A  | 28.0V @ 0.44A     |                |                 |             |        |        |       |        |       |             |
| F120-100 |                         | FS120-100             | 120.0V CT @ 0.1A  | 60.0V @ 0.2A      |                |                 |             |        |        |       |        |       |             |
| E        |                         | F10-2000              | FS10-2000         | 20.0              |                | 10.0V CT @ 2.0A | 5.0V @ 4.0A | 1 1/16 | 1 1/8  | 2 1/4 | 1 1/2  | 0.30  | 0.40        |
|          | F12-1600                | FS12-1600             | 12.6V CT @ 1.6A   |                   | 6.3V @ 3.2A    |                 |             |        |        |       |        |       |             |
|          | F16-1250                | FS16-1250             | 16.0V CT @ 1.25A  |                   | 8.0V @ 2.5A    |                 |             |        |        |       |        |       |             |
|          | F20-1000                | FS20-1000             | 20.0V CT @ 1.0A   |                   | 10.0V @ 2.0A   |                 |             |        |        |       |        |       |             |
|          | F24-800                 | FS24-800              | 24.0V CT @ 0.8A   |                   | 12.0V @ 1.6A   |                 |             |        |        |       |        |       |             |
|          | F28-700                 | FS28-700              | 28.0V CT @ 0.7A   |                   | 14.0V @ 1.4A   |                 |             |        |        |       |        |       |             |
|          | F36-550                 | FS36-550              | 36.0V CT @ 0.55A  |                   | 18.0V @ 1.1A   |                 |             |        |        |       |        |       |             |
|          | F48-400                 | FS48-400              | 48.0V CT @ 0.4A   |                   | 24.0V @ 0.8A   |                 |             |        |        |       |        |       |             |
|          | F56-350                 | FS56-350              | 56.0V CT @ 0.35A  |                   | 28.0V @ 0.7A   |                 |             |        |        |       |        |       |             |
|          | F120-160                | FS120-160             | 120.0V CT @ 0.16A |                   | 60.0V @ 0.32A  |                 |             |        |        |       |        |       |             |

CT = Center Tap

# Power Transformers

## PC Mount: Split Pack™

| Section | Single Primary<br>6 Pin | Dual Primary<br>8 Pin | VA   | Secondary        |              | Dimensions                     |                                |                                |    |      |      | Wt.<br>Lbs. |     |
|---------|-------------------------|-----------------------|------|------------------|--------------|--------------------------------|--------------------------------|--------------------------------|----|------|------|-------------|-----|
|         |                         |                       |      | Series           | Parallel     | H                              | W                              | L                              | ML | A    | B    |             | C   |
| A       | F10-3600                | FS10-3600             | 36.0 | 10.0V CT @ 3.6A  | 5.0V @ 7.2A  | 1 <sup>1</sup> / <sub>16</sub> | 2 <sup>3</sup> / <sub>16</sub> | 2 <sup>3</sup> / <sub>16</sub> | *  | 0.40 | 0.40 | 1.850       | 1.1 |
|         | F12-2850                | FS12-2850             |      | 12.6V CT @ 2.85A | 6.3V @ 5.7A  |                                |                                |                                |    |      |      |             |     |
|         | F16-2250                | FS16-2250             |      | 16.0V CT @ 2.25A | 8.0V @ 4.5A  |                                |                                |                                |    |      |      |             |     |
|         | F20-1800                | FS20-1800             |      | 20.0V CT @ 1.8A  | 10.0V @ 3.6A |                                |                                |                                |    |      |      |             |     |
|         | F24-1500                | FS24-1500             |      | 24.0V CT @ 1.5A  | 12.0V @ 3.0A |                                |                                |                                |    |      |      |             |     |
|         | F28-1300                | FS28-1300             |      | 28.0V CT @ 1.3A  | 14.0V @ 2.6A |                                |                                |                                |    |      |      |             |     |
|         | F36-1000                | FS36-1000             |      | 36.0V CT @ 1.0A  | 18.0V @ 2.0A |                                |                                |                                |    |      |      |             |     |
|         | F48-750                 | FS48-750              |      | 48.0V CT @ 0.75A | 24.0V @ 1.5A |                                |                                |                                |    |      |      |             |     |
|         | F56-650                 | FS56-650              |      | 56.0V CT @ 0.65A | 28.0V @ 1.3A |                                |                                |                                |    |      |      |             |     |
|         | F120-300                | FS120-300             |      | 120.0V CT @ 0.3A | 60.0V @ 0.6A |                                |                                |                                |    |      |      |             |     |

\* 36 VA size has 4 mtg. holes on 2<sup>3</sup>/<sub>16</sub> x 1<sup>1</sup>/<sub>4</sub> centers. CT = Center Tap

### :: Outline Dimensions

#### Technical Notes

- Hi-pot tested at 2,500 VRMS.
- PC terminal pin spacing for accurate placement.
- 115 V connect primary in parallel.  
230 V connect primary in series.

4. **Series Connections:** Primary - Input 1 & 4  
Connect 2 & 3  
Secondary - Input 5 & 8  
Connect 6 & 7

5. **Parallel Connections:** Primary - Input 1 & 2  
Connect 1 & 3, 2 & 4  
Secondary - Input 5 & 8  
Connect 5 & 7, 6 & 8

6. For single primary, omit pins 2 and 3.

