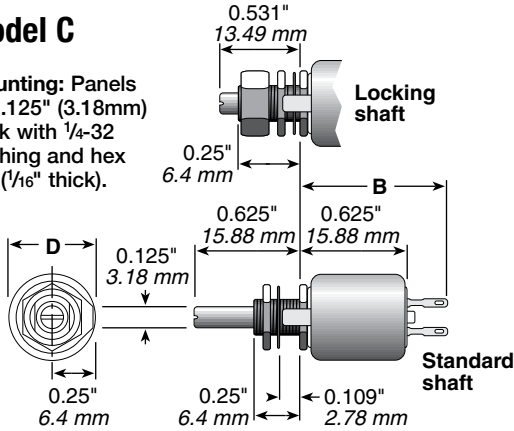


Rheostats

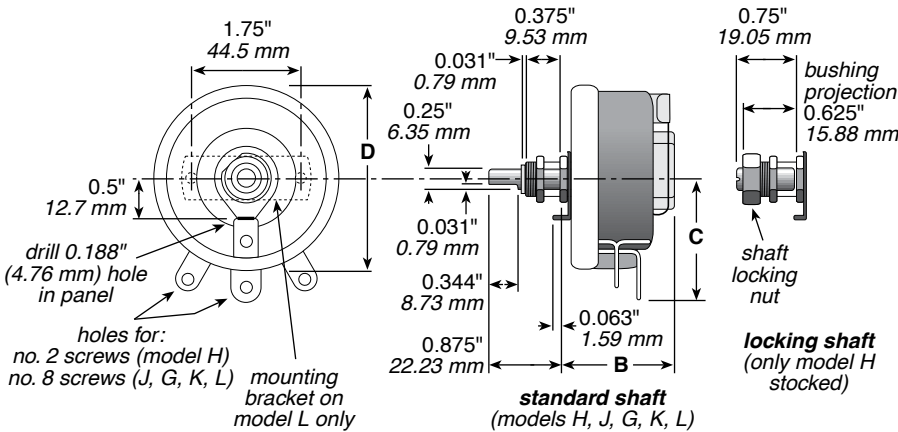
(Potentiometers) Wirewound

Model C

Mounting: Panels to 0.125" (3.18mm) thick with 1/4-32 bushing and hex nut (1/16" thick).



Models H, J, G, K, L



Mounting: Panels to 0.25" (6.35mm) thick with 3/8-32 bushing and hex nut (3/32" thick) (or with 10-32 x 0.75 flat-head screws for model L only).

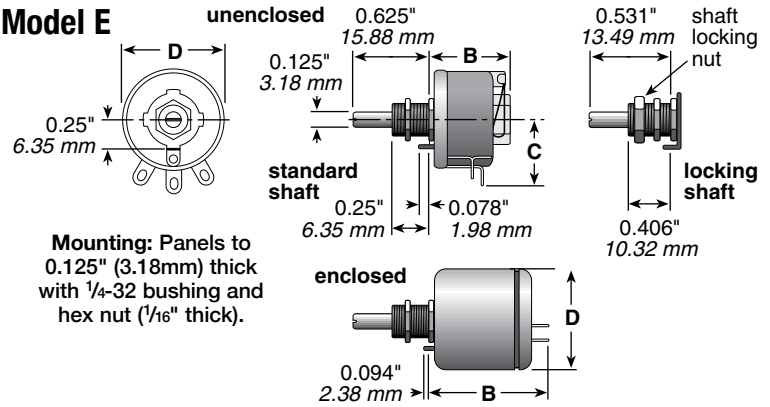
Dimensions for reference only; consult factory for details.

Since all rheostats/potentiometers are electro-mechanical devices, they are subject to mechanical wear and, therefore, have a finite life.

Models H, J, K, L and N are listed under UL File No. E-10946 and CSA File No. 21309 unless noted otherwise.

All rheostats are 10% tolerance.

Model E



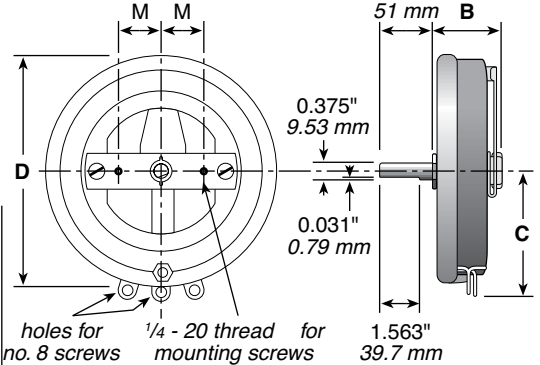
Mounting: Panels to 0.125" (3.18mm) thick with 1/4-32 bushing and hex nut (1/16" thick).

Dimension "M"

P	0.875"	22.23 mm
N	1.188"	30.16 mm
R	1.5"	38.1 mm
U	3"	76.2 mm

Mounting: Panels to 1.25" (31.75mm) thick with 1/4-20 flat-head screws.

Models P, N, R, U



ORDERING INFORMATION

Series	E = RoHS compliant					
Rheostats	RCSR50E					
Wirewound						
Potentiometers	Code	Watts	Model	Shaft	Core	Resistance Value*
	CL =	7.5	C	Locking	Enclosed	Example: R50 = 0.50Ω
	CS =	7.5	C	Standard	Enclosed	1R0 = 1Ω
	EE =	12.5	E	Standard	Enclosed	7R5 = 7.5Ω
	EL =	12.5	E	Locking	Open	250 = 250Ω
	ES =	12.5	E	Standard	Open	1K0 = 1,000Ω
	GS =	75	G	Standard	Open	1K75 = 1,750Ω
	HL =	25	H	Locking	Open	4K5 = 4,500Ω
	HS =	25	H	Standard	Open	50K = 50,000Ω
	JS =	50	J	Standard	Open	
	KS =	100	K	Standard	Open	
	LS =	150	L	Standard	Open	
	NS =	300	N	Standard	Open	
	PS =	225	P	Standard	Open	
	RS =	500	R	Standard	Open	
	US =	1000	U	Standard	Open	

See page 93 for knobs, dials, and other hardware

*Check Table for Standard Resistance Values and Maximum Current Values

Model	Type	Watts	Ohmic range	Core	Max. Voltage (RMS)*	Behind panel "B" (In./mm)	Diameter "D" (In./mm)	Dimension "C" (In./mm)	Shaft torque	Rotation (±5°)
E	RES/REL	12.5	1.0-15K	open	305	0.688/17.46	0.875/ 22.23	0.594/15.08	1-6 oz. in.	300°
H	RHS/RHL	25	1.0-25K	open	500	1.375/34.93	1.560/ 39.62	0.940/23.88	0.25-0.5 lb. in.	300°
J	RJS	50	0.5-50K	open	750	1.375/34.93	2.31 / 58.67	1.56 /39.62	0.25-2 lb. in.	300°
G	RGS	75	0.5-50K	open	900	1.750/44.45	2.75 / 69.25	1.78 /45.21	0.5-2 lb. in.	300°
K	RKS	100	0.5-50K	open	1000	1.750/44.45	3.125/ 79.38	1.91 /48.51	0.5-2 lb. in.	300°
L	RLS	150	0.5-50K	open	1200	2.000 / 50.8	4.00 /101.60	2.28 /57.91	0.5-3 lb. in.	300°
P	RPS	225	1.0-30K	open	1300	2.125/53.98	5.00 /127.00	2.97 /75.44	2.5-4 lb. in.	310°
N	RNS	300	1.0-50K	open	1225	2.375/60.33	6.00 /152.40	3.44 /87.38	2.5-5 lb. in.	320°
R	RRS	500	1.0-20K	open	1450	2.125/53.98	8.00 /203.20	4.31/109.47	4.5-7 lb. in.	325°
U	RUS	1000	1.0-20K	open	1600	3.000 / 76.2	12.00 /304.80	6.38/162.05	3.5-7 lb. in.	335°
C	RCS/RCL	7.5	10.0-5K	enclosed	305	0.875/22.23	0.515/ 13.08	—	0.25-3 oz. in.	300°
E	REE	12.5	1.0-15K	enclosed	305	1.219/30.96	1.047/ 26.59	—	1-6 oz. in.	300°

• Models H, J, G, and K also available in enclosed versions.
• See Catalog #203 for complete details.

• RoHS compliant product available. Add "E" suffix to part number to specify.
• Made-to-order rheostats available: Contact nearest Ohmite sales office.
* Voltage rating dependent on resistance value.

