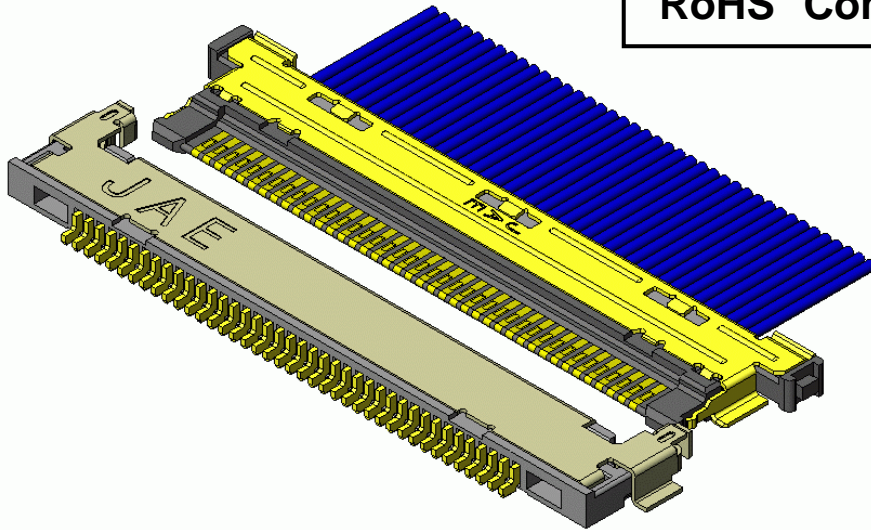




FI-JH Series

MB-0179-2

October 2008

RoHS Compliant

In addition to incorporating new functions such as one segment TV, the global trend of slimming cell phone size is accelerating. To slim the devices, the connectors need to be low profile. Also, the demand for anti-noise performance is growing in order to accommodate the multiple functions. To meet these demands the FI-JH Series horizontal connector, with a mating height of only 1mm and designed for anti-noise performance, has been developed.

Features

- Low profile and small size
- 40 position mated dimensions: 6.1mm depth, 21.7mm width, 1.00mm height
- Stable connection by a secure 0.71mm valid contact length
- Low contact resistance at gold plated ground contact points on plug and receptacle
- Friction lock to prevent removal on impact
- +/- 0.5mm guide length for excellent insertion
- Supports automated mounting with embossed tape supply for receptacle
- Solder migration prevention structure with Ni barrier on receptacle
- Applicable wire: Coaxial 42 to 46 AWG

General Specifications

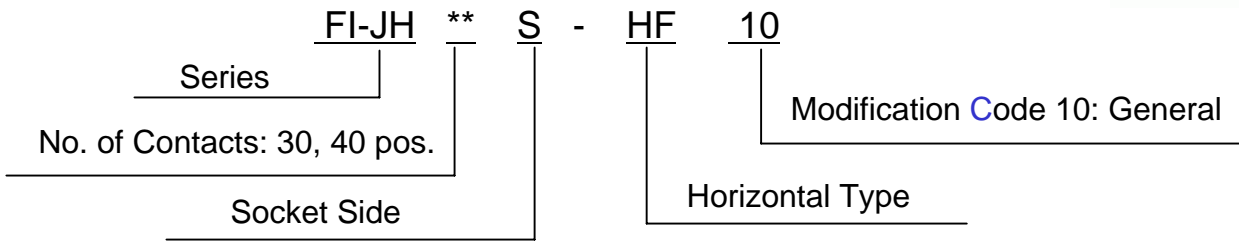
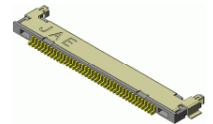
- | | |
|---|---|
| ■No. of Contacts : 30, 35, 40 pos. | ■Rated Current: AC, DC each 0.3A per pos. |
| ■Pitch: 0.4mm | ■Rated Voltage: AC, DC each 50V per pos. |
| ■Operating Temperature:
-40 Deg. C to +85 Deg. C | ■Insulation Resistance: 100M ohm min. |
| ■Contact Resistance: 40m ohm max. | ■Dielectric Withstanding Voltage:
AC 250Vr. m.s per minute |
| ■Durability: 30 mating cycles | ■Applicable Wire: 42 to 46 AWG |

Materials and Finishes

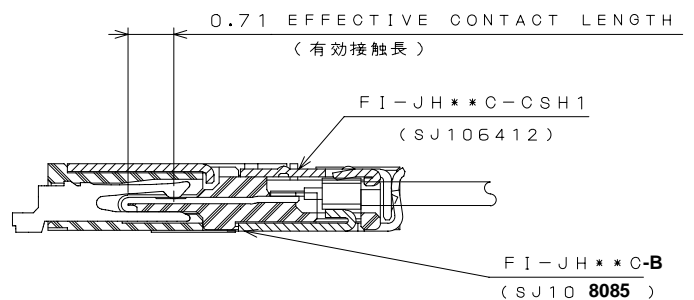
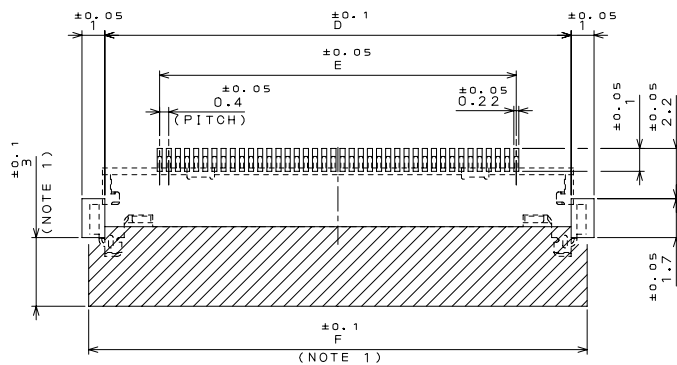
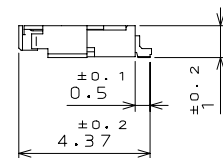
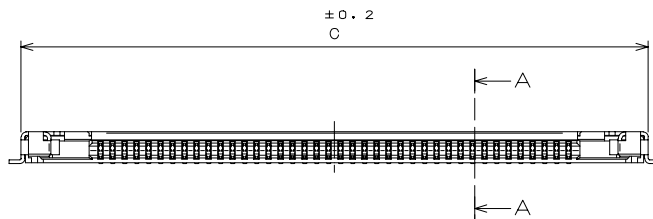
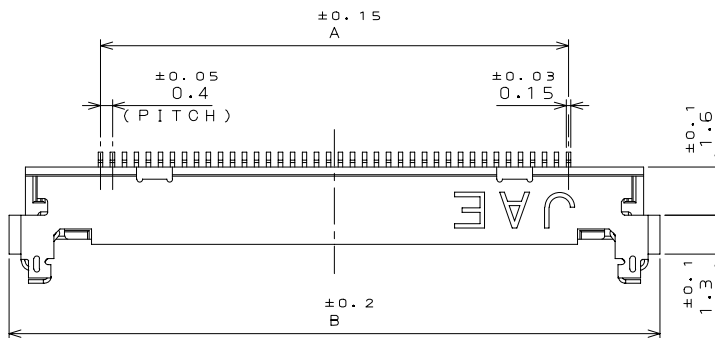
Component	Material / Finish
Receptacle (FI-JH**S-HF10-*)	
Contact	Copper alloy / Contact area Au plating over Ni, Terminal area Au flash plating over Ni
Shell	Stainless steel (30 pos., 40pos.), Copper alloy (35 pos.) / Contact area Au flash plating over Ni, Terminal area Sn plating
Insulator	Heat resistant plastic UL94V-0
Plug (FI-JH**C-B)	
Contact	Copper alloy / Contact area Au plating over Ni, Connection area Au flash plating over Ni
Insulator	Heat resistant plastic UL94V-0
Base Shell	Stainless steel / Au flash plating over Ni
Plug Cover Shell (FI-JH**C-CSH-1)	
Cover Shell	Stainless steel / Au flash plating over Ni

Ordering Information

Receptacle Side
Individual Product
(30, 40 pos. SJ106787)



Unit:mm



Recommended dimension of board

Drawing when mated
(for reference)

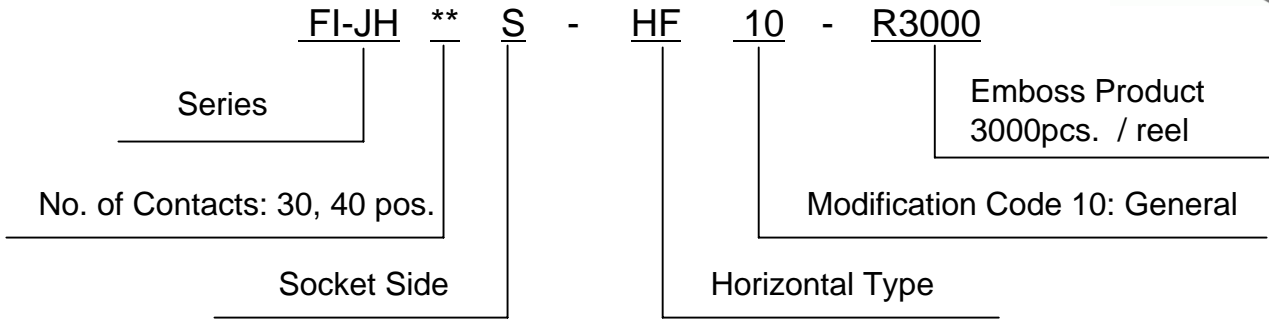
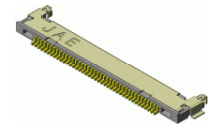
NOTE 1. Plug connector contact area: pattern and through hole are prohibited.
However, ground is possible.

Dimensions

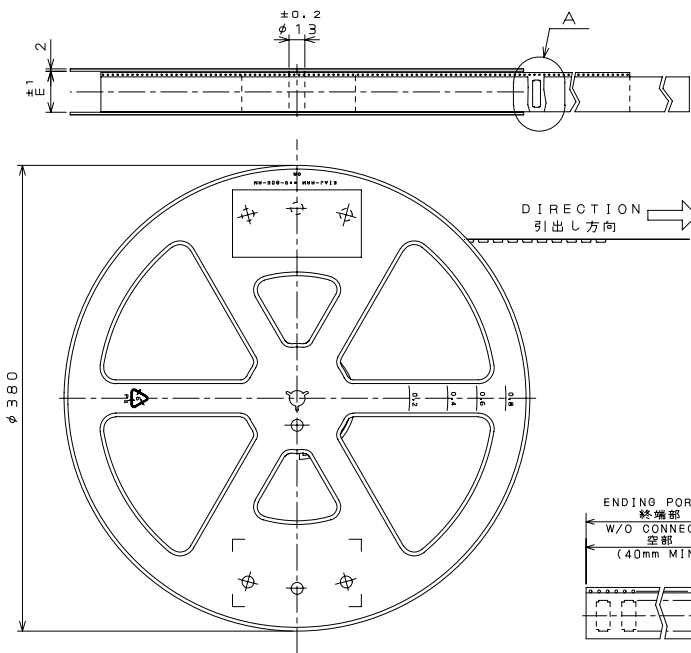
Pin NO.	A	B	C	D	E	F
40	15.6	21.7	20.9	20.4	15.6	21.8
30	11.6	17.7	16.9	16.4	11.6	17.8

Ordering Information

Receptacle Side
Emboss Product
(30, 40 pos. SJ106788)

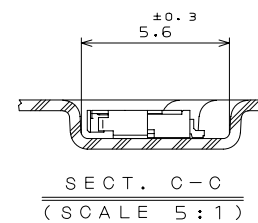
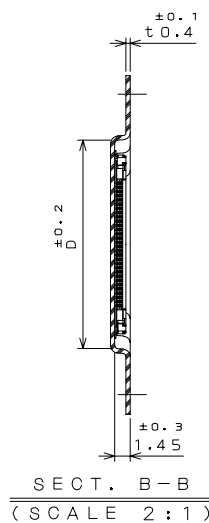
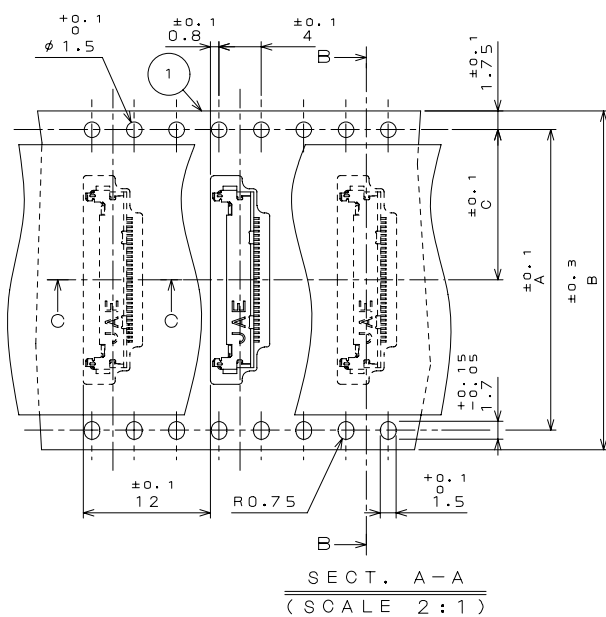
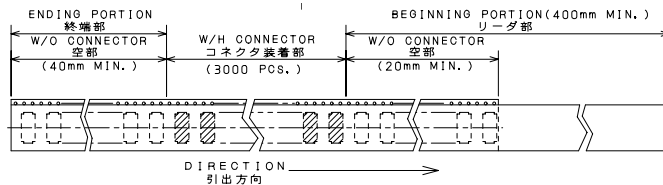


Unit:mm



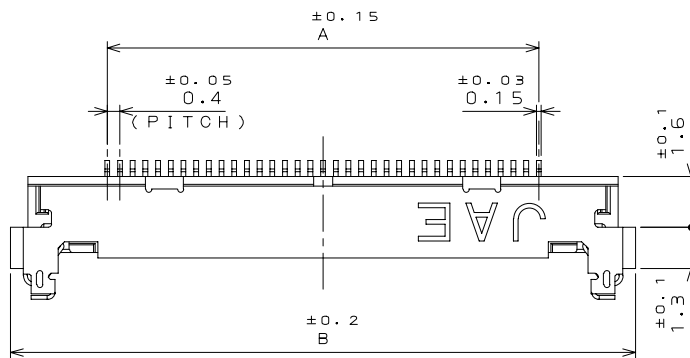
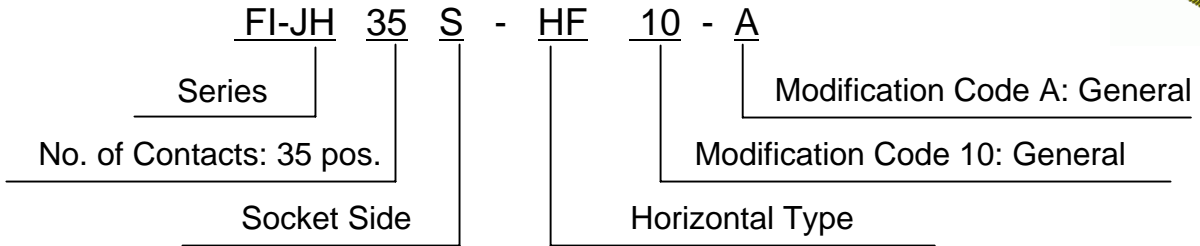
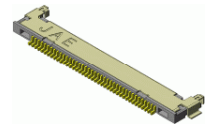
Dimensions

No. OF CONTACTS	30	40
A	28.4	40.4
B	32	44
C	14.2	20.2
D	19.7	23.7
E	33.5	45.5

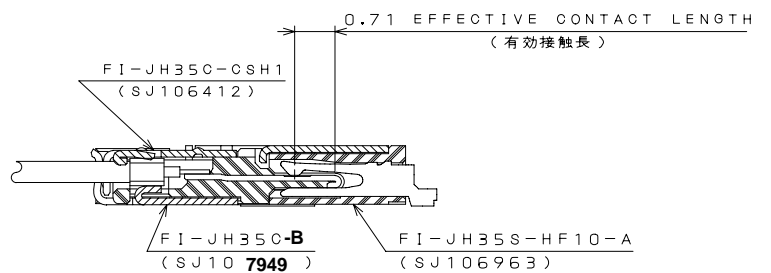
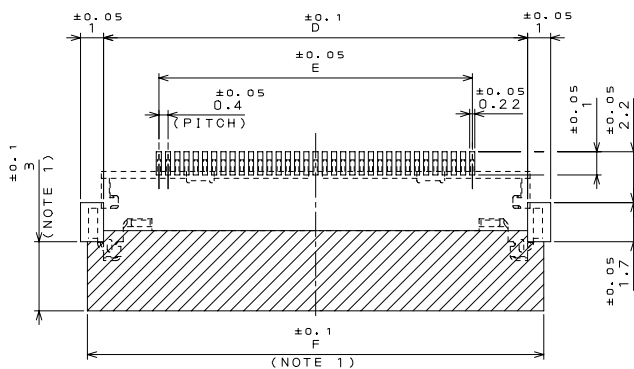
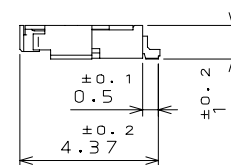
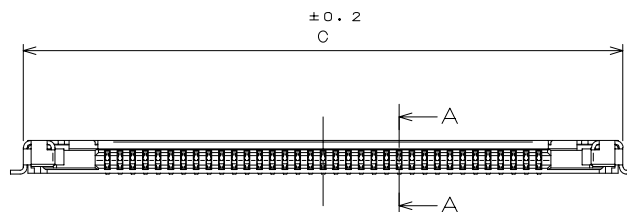


Ordering Information

Receptacle Side
Individual Product
(35 pos. SJ106963)



Unit:mm



Recommended dimension of board

Drawing when mated
(for reference)

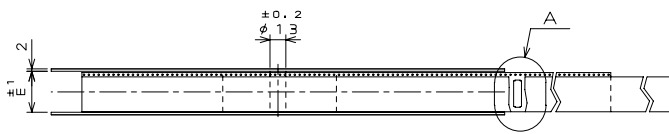
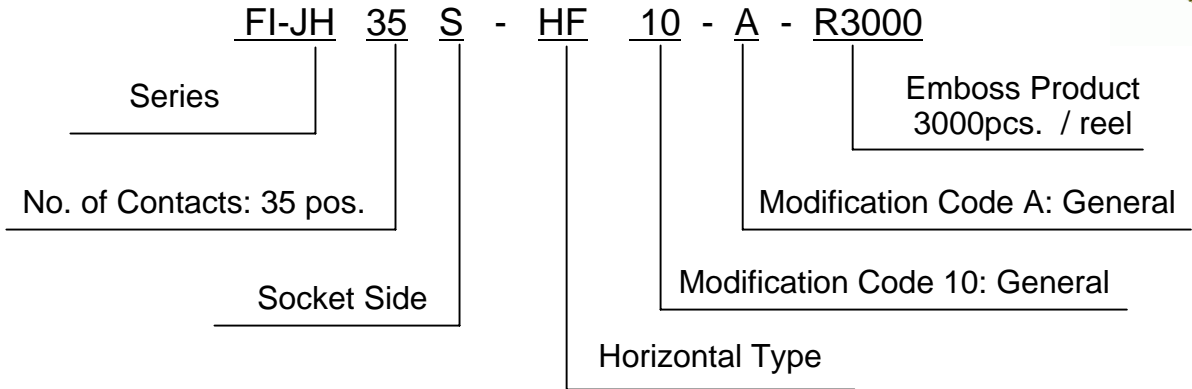
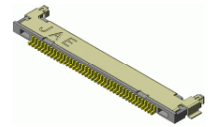
NOTE 1. Plug connector contact area: pattern and through hole are prohibited.
However, ground is possible.

Dimensions

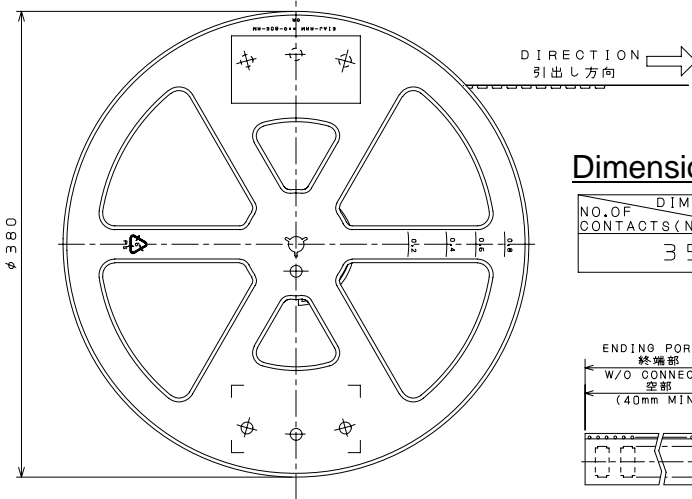
DIMENSION NO.OF CONTACTS(N)	A	B	C	D	E	F
35	13.6	19.7	18.9	18.4	13.6	19.8

Ordering Information

Receptacle Side
Emboss Product
(35 pos. SJ106964)

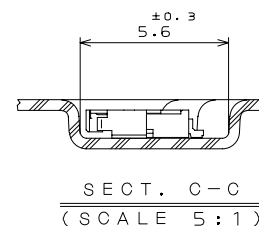
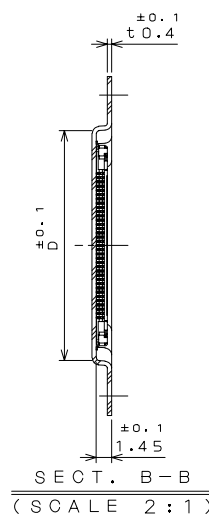
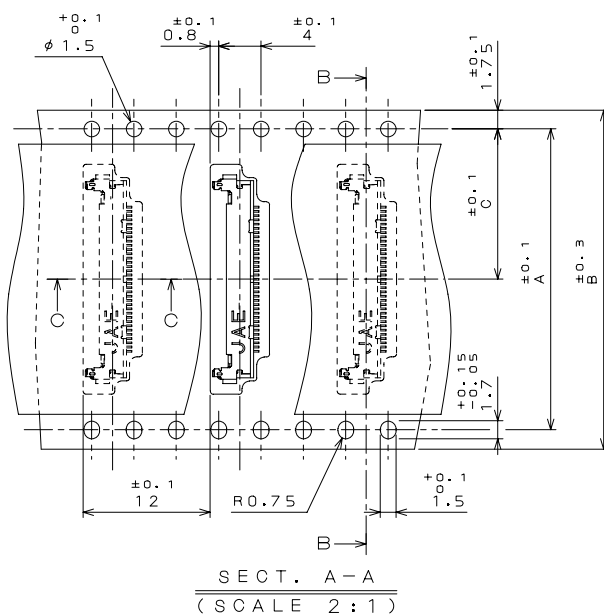
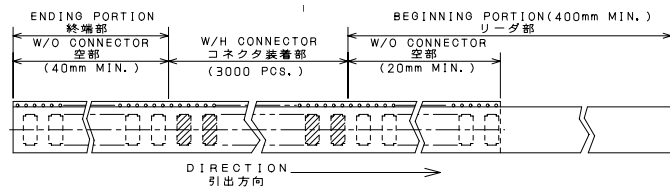


Unit:mm



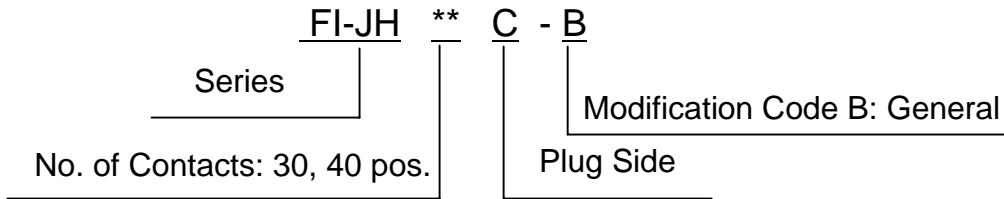
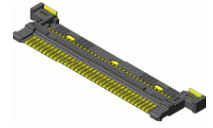
Dimensions

NO. OF CONTACTS (N)	DIMENSION A	DIMENSION B	DIMENSION C	DIMENSION D	DIMENSION E
35	28.4	32	14.2	21.7	33.5

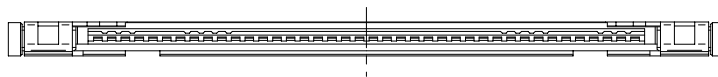
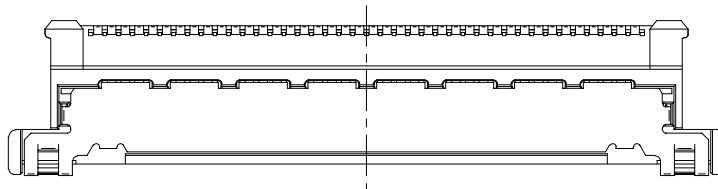
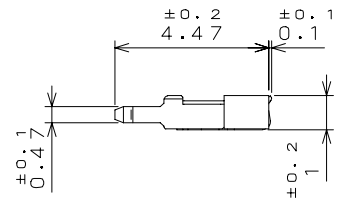
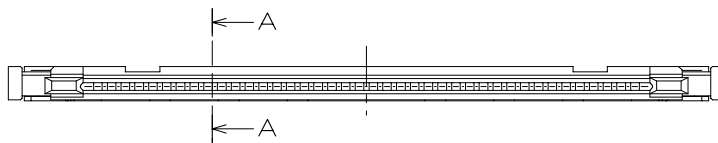
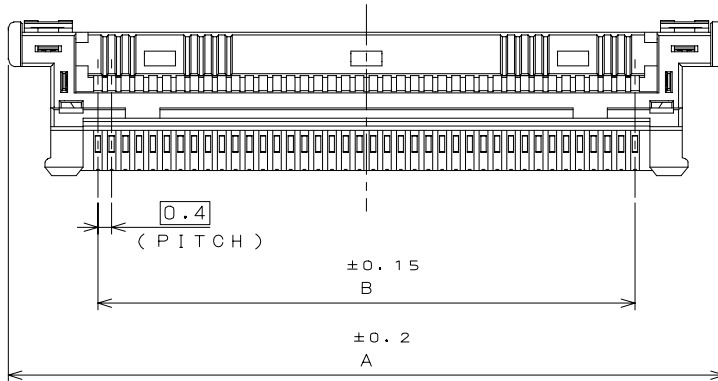


Ordering Information

Plug Side, Insulator
(30, 40 pos. SJ108085)



Unit:mm

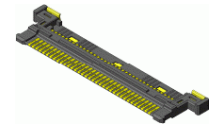


Dimensions

No. OF CONTACTS	A	B
40	20.8	15.6
30	16.8	11.6

Ordering Information

Plug Side Emboss Product (30, 40 pos. SJ108086)

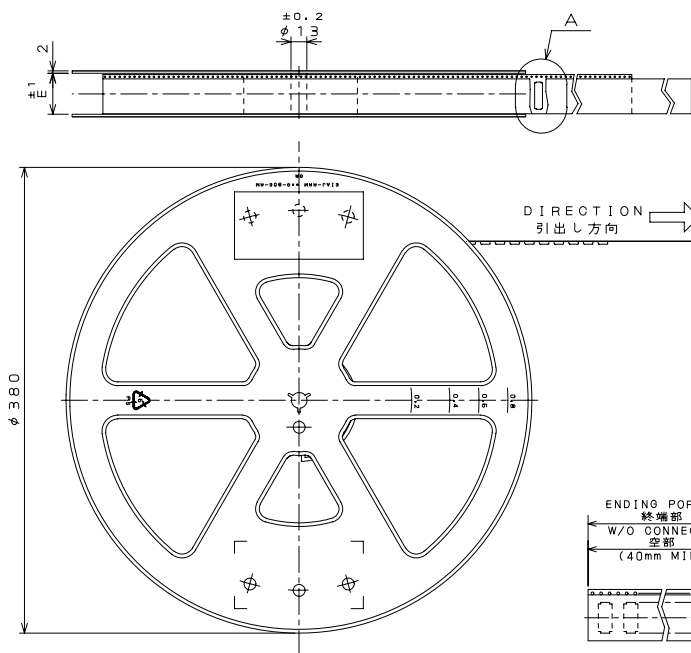


FI-JH **
 Series
 No. of Contacts: 30, 40 pos.

C **B - R3000**
 Emboss Product
 3000pcs. / reel
 Modification Code B: General

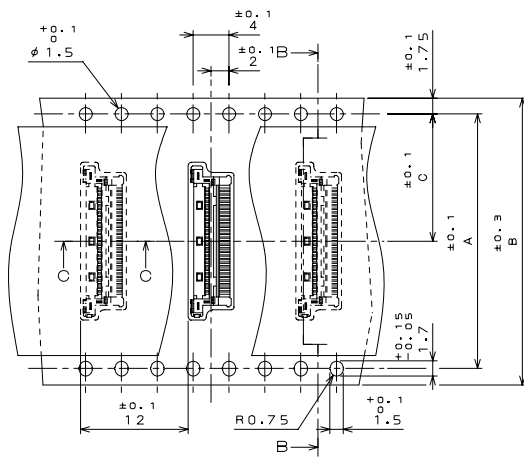
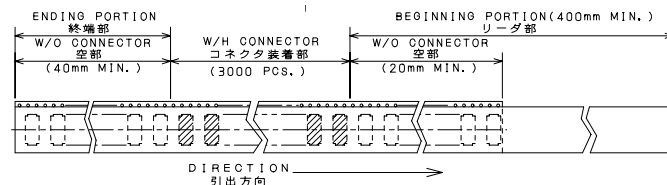
Plug Side

Unit:mm

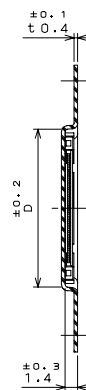


Dimensions

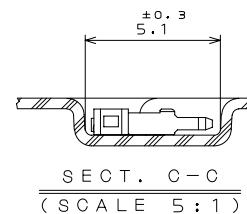
No. OF CONTACTS	30	40
A	28.4	40.4
B	32	44
C	14.2	20.2
D	17.6	21.6
E	33.5	45.5



SECT. A-A
(SCALE 2:1)



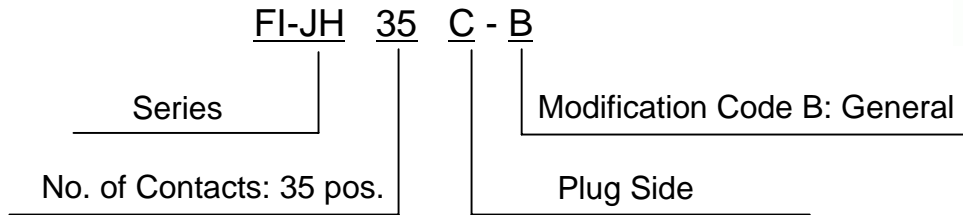
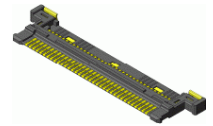
SECT. B-B
(SCALE 2:1)



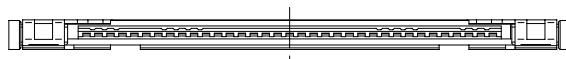
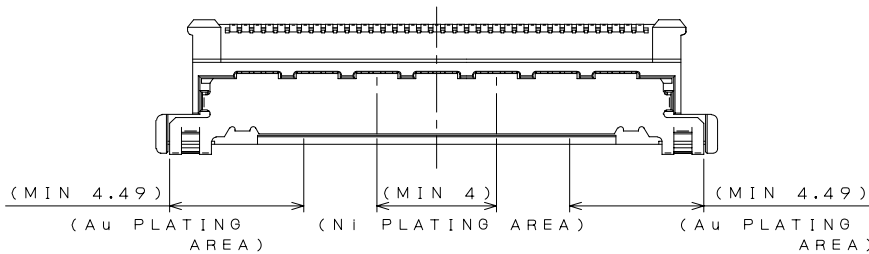
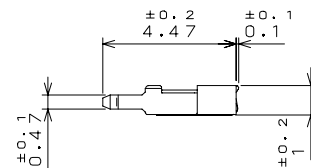
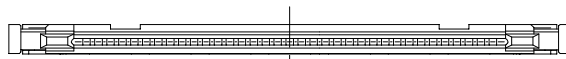
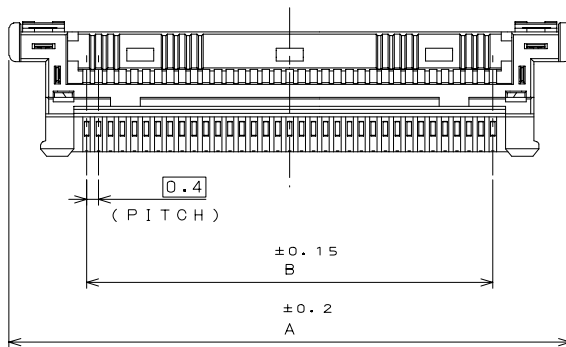
SECT. C-C
(SCALE 5:1)

Ordering Information

Plug Side, Insulator
(35 pos. SJ107949)



Unit:mm

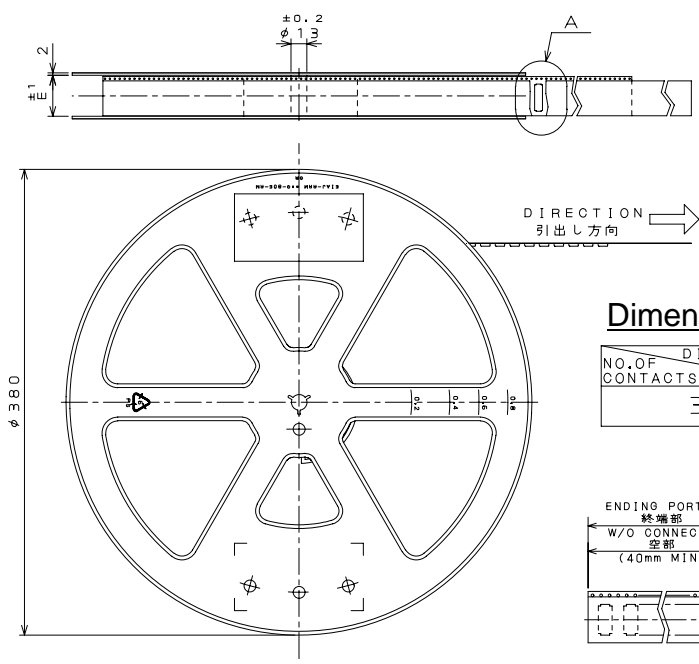
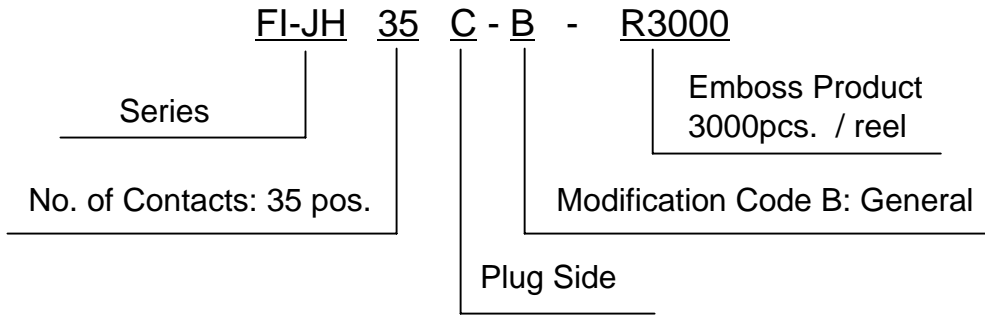
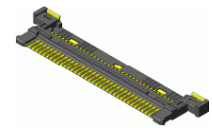


Dimensions

DIMENSION	A	B
NO. OF CONTACTS (N)		
35	18.8	13.6

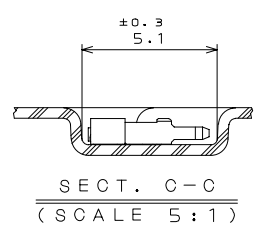
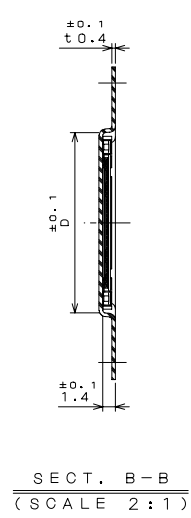
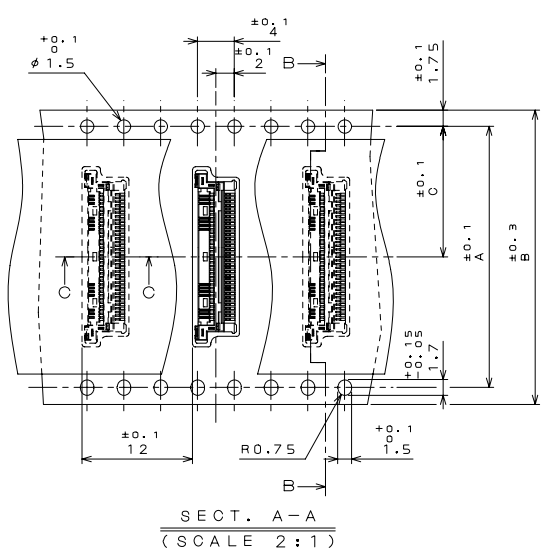
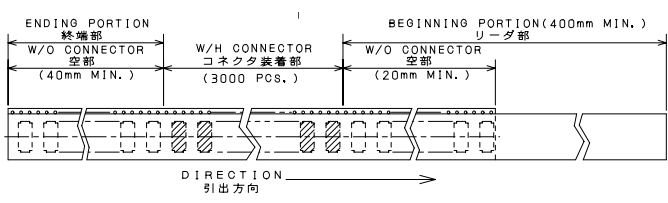
Ordering Information

Plug Side
Emboss Product
(35 pos. SJ107950)



Dimensions

DIMENSION NO. OF CONTACTS(N)	A	B	C	D	E
35	28.4	32	14.2	19.6	33.5



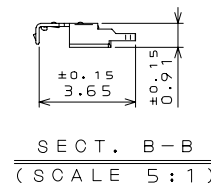
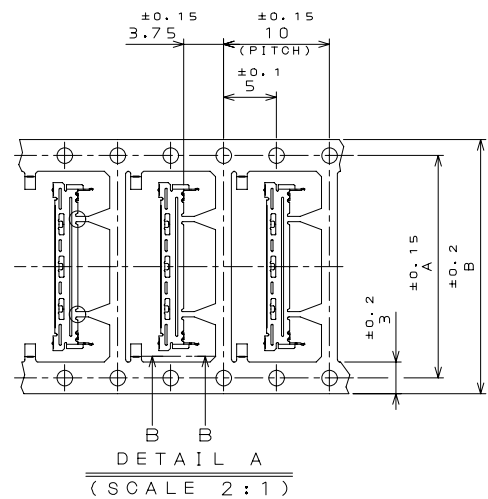
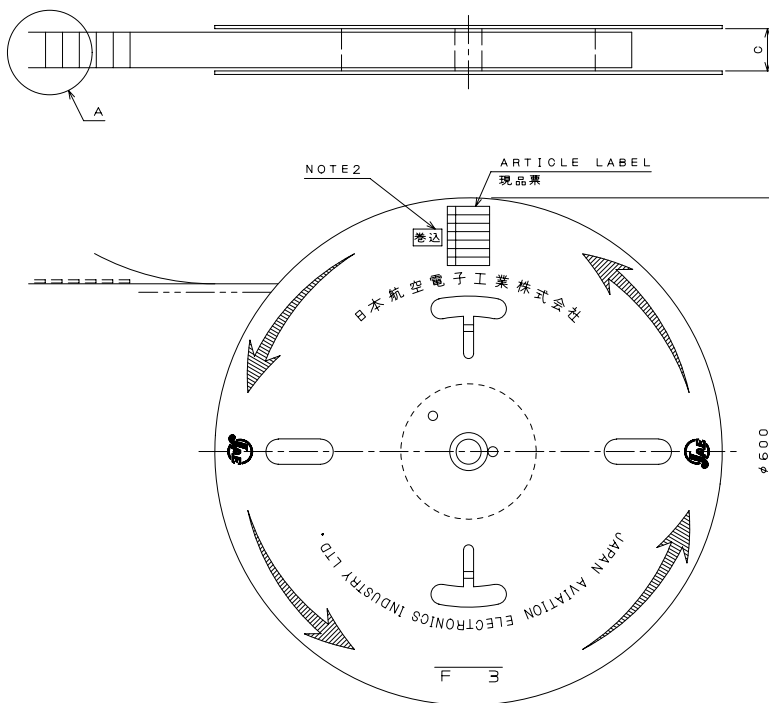
Ordering Information

Plug Side, Shell
(SJ106412)



Series	FI-JH	**	C	- CSH1	-	10000	Emboss Product 10000pcs. / reel
No. of Contacts: 30, 35, 40 pos.							
						Plug Side	

Unit:mm



Dimensions

NO.OF CONTACTS(N)	DIMENSION		
	A	B	C
30	21	24	32
35	23	26	32
40	25	28	32

Related Documents

-Specifications(JACS): JACS-10363

-Harness Assembly Handling Instructions (JAHL)

30pos. : JAHL-10554-1

35pos. : JAHL-10363-2

40pos. : JAHL-10354-1

-Connector Handling Instructions (JAHL)

30pos. : JAHL-10363-10

35pos. : JAHL-10363-11

40pos. : JAHL-10363-10

-Connector Extraction Tools

30pos. SJ Drawing: SJ713201-00, P /N: SC-FIJH30-3

35pos. SJ Drawing: SJ713200-00, P /N: SC-FIJH35-3

40pos. SJ Drawing: SJ713198-00, P /N: SC-FIJH40-3

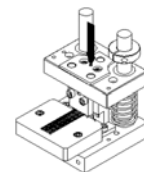
Tool Handling Instruction : T713198



-Plug Shell Cover Press-fit Tool

Part Number: WT-FIJH-1-**

Handling Instruction: T714244



Japan Aviation Electronics Industry, Limited

Product Marketing Division

Aobadai Building, 3-1-19, Aobadai, Meguro-ku, Tokyo 153-8539

Phone: +81-3-3780-2787 FAX: +81-3-3780-2946

Notice: Products shown in this leaflet are made for the applications listed below. However, if the above-mentioned products are to be used in aerospace devices, marine cable-connection devices, atomic power control systems, medical equipment for life-support systems, or any other specific application requiring extremely high reliability, please contact JAE for further information.

Recommended applications: computers, office machines, measuring devices, telecommunication devices (terminals, mobile devices), AV devices, household applications, FA devices, etc.