

Data sheet | Item number: 286-723

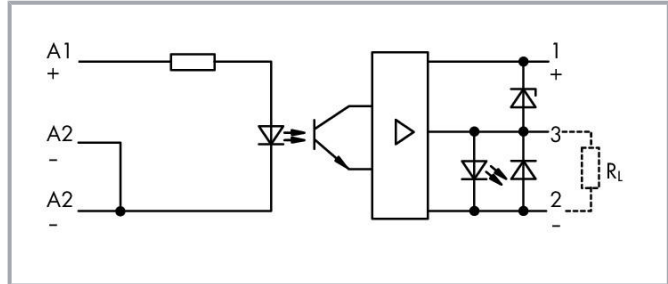
Optocoupler module; Nominal input voltage: 24 VDC; Output voltage range: 15 ... 30 VDC; Limiting continuous current: 4 A; 3-wire connection/high-side switching; Red status indicator; Module width: 15 mm; gray



www.wago.com/286-723



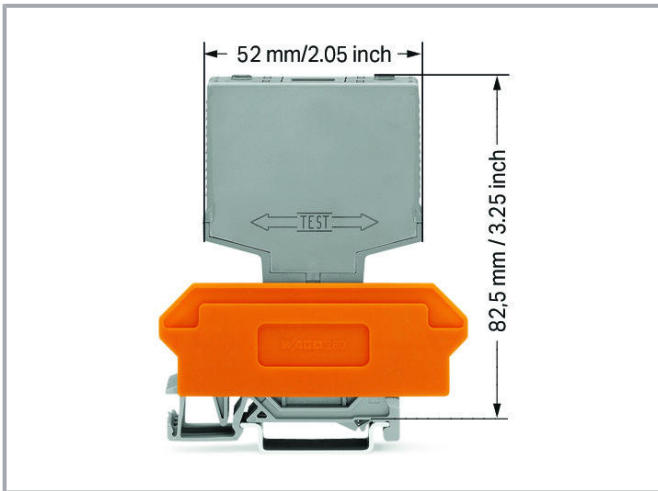
Color: —



Subject to changes. Please also observe the further product documentation!

WAGO GmbH & Co. KG
Hansastr. 27
32423 Minden
Phone: +49571 887-0 | Fax: +49571 887-169
Email: info.de@wago.com | Web: www.wago.com

Do you have any questions about our products?
We are always happy to take your call at +49 (571) 887-44222.



Data

Technical data

Control circuit

| | |
|----------------------------------|----------------|
| Nominal input voltage U_N | DC 24 V |
| Input voltage range (high level) | DC 15 ... 30 V |
| Nominal input current at U_N | 14 mA |
| Input current range | 7.6 ... 15 mA |

Load circuit

| | |
|---|--|
| Circuit type | 3-wire connection High-side switching |
| Limiting continuous current | 4 A |
| Nominal output voltage | DC 24 V |
| Output voltage range | DC 20 ... 30 V |
| Voltage drop at output (max.) | \leq DC 1.2 V |
| Leakage current at rated voltage | \leq 2 μ A |
| Output closed-circuit current (without load) (max.) | 12 mA |
| Turn-on time | \leq 15 μ s |
| Turn-off time | \leq 25 μ s |
| Switching frequency | \leq 2.5 kHz |

Subject to changes. Please also observe the further product documentation!



Signaling

| | |
|------------------|---------|
| Status indicator | Red LED |
|------------------|---------|

Safety and protection

| | |
|---|-----------|
| Pollution degree | 2 |
| Dielectric strength, control/load circuit (AC, 1 min) | 2.5 kVrms |
| Protection type | IP20 |

Physical data

| | |
|------------------------------------|---------------------|
| Width | 15 mm / 0.591 inch |
| Height from upper-edge of DIN-rail | 82.5 mm / 3.25 inch |
| Depth | 52 mm / 2.047 inch |

Mechanical data

| | |
|---------------|---|
| Mounting type | Pluggable module for receptacle terminal blocks |
|---------------|---|

Material data

| | |
|-----------|----------|
| Color | gray |
| Fire load | 0.324 MJ |
| Weight | 26.8 g |

Environmental requirements

| | |
|---|--|
| Surrounding air temperature (operation at U_N) | -25 ... 40 °C |
| Surrounding air temperature (storage) | -25 ... 40 °C |
| Processing temperature | -25 ... +50 °C |
| Relative humidity | 5 ... 95 % (no condensation permissible) |
| Operating altitude (max.) | 2000 m |

Standards and specifications

| | |
|--------------------------|------------|
| Standards/Specifications | EN 60664-1 |
|--------------------------|------------|

Commercial data

| | |
|---------------|---------------------------|
| Product Group | 6 (Interface Electronics) |
| PU (SPU) | 15 (1) Stück |

Subject to changes. Please also observe the further product documentation!

| | |
|-----------------------|---------------|
| Packaging type | box |
| Country of origin | DE |
| GTIN | 4045454413682 |
| Customs tariff number | 85365005000 |

Optional accessories

Terminal blocks

Terminal block for pluggable modules



Item no.: 280-619

Terminal block for pluggable modules; 6-pole; with 2-conductor terminal blocks; with orange separator; www.wago.com/280-619 for DIN-rail 35 x 15 and 35 x 7.5; 2.5 mm²; CAGE CLAMP®; 2,50 mm²; gray



Item no.: 280-609

Terminal block for pluggable modules; 6-pole; with 4-conductor terminal blocks; with orange separator; www.wago.com/280-609 for DIN-rail 35 x 15 and 35 x 7.5; 2.5 mm²; CAGE CLAMP®; 2,50 mm²; gray



Item no.: 280-763

Terminal block for pluggable modules; 6-pole; with 4-conductor terminal blocks; with marker carrier; www.wago.com/280-763 with orange separator; for DIN-rail 35 x 15 and 35 x 7.5; 2.5 mm²; CAGE CLAMP®; 2,50 mm²; gray

Marking accessories

Marker



Item no.: 209-701

WSB marking card; as card; not stretchable; plain; snap-on type; white

www.wago.com/209-701

Downloads

Documentation

Bid Text

| | | | |
|--------------|--------------|---------|----------|
| 286-723 | 2019. 2. 20. | docx | Download |
| docx - Datei | | 15.7 kB | |

| | | | |
|-------------|--------------|--------|----------|
| 286-723 | 2019. 2. 19. | xml | Download |
| X81 - Datei | | 3.9 kB | |

Instruction Leaflet

| | | |
|--|--------|----------|
| | pdf | Download |
| | 1.3 MB | |

Additional Information

| | | | |
|--|---------|----------|----------|
| Disposal; Electrical and electronic equipment, Packaging | V 1.0.0 | pdf | Download |
| | | 265.8 kB | |

Subject to changes. Please also observe the further product documentation!

CAD/CAE-Data

CAE data

WSCAD Universe 286-723

[URL](#)

[Download](#)

Environmental Product Compliance

Compliance Search

Environmental Product Compliance 286-723

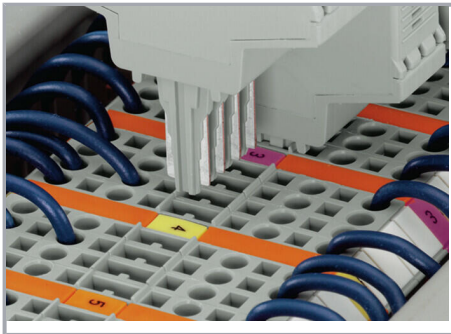
[URL](#)

[Download](#)

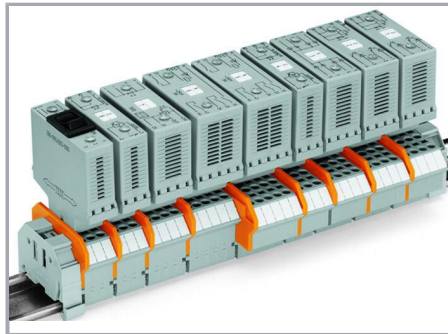
Optocoupler module; Nominal input voltage: 24 VDC; Output voltage range: 15 ... 30 VDC; Limiting continuous current: 4 A; 3-wire connection/high-side switching; Red status indicator; Module width: 15 mm; gray

Installation Notes

Assembly



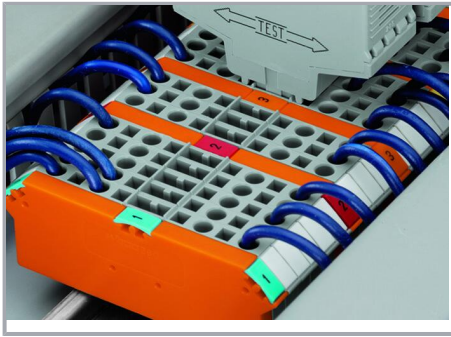
Coding ensures correct polarity.



Pluggable electronic modules on 2- or 4-conductor carrier terminal blocks

Marking

Subject to changes. Please also observe the further product documentation!



Marking via WMB Multi Marking System.

Testing



Function testing via touch-proof test slots

Subject to changes. Please also observe the further product documentation!