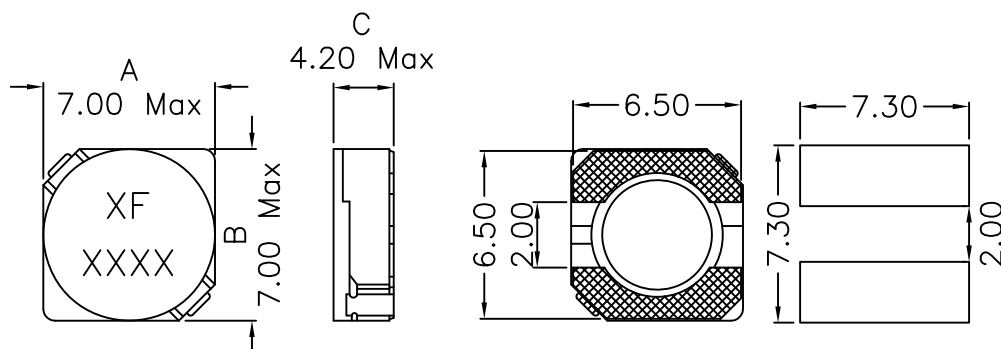
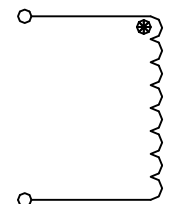


HIGH TEMP XFTPRH6D38T SERIES SHIELDED INDUCTOR

Mechanical Dimensions:



Schematic:



UNLESS OTHERWISE SPECIFIED
TOLERANCES:

.xx ±0.25

Dimensions in MM

Part Number	OCL (uH)	DCR (Ω Max)	SRF typ MHz	Isat (A) 30% drop	Irms (A) 40°C Rise
XFTPRH6D38T-3R3N	3.3±30%	0.018	85	3.7	5.00
XFTPRH6D38T-5R0N	5.0±30%	0.023	49	3.1	4.70
XFTPRH6D38T-6R2N	6.2±30%	0.027	42	2.7	4.30
XFTPRH6D38T-7R4N	7.4±30%	0.031	35	2.6	4.10
XFTPRH6D38T-8R7N	8.7±30%	0.034	33	2.3	3.90
XFTPRH6D38T-100M	10±20%	0.038	32	2.2	3.80
XFTPRH6D38T-120M	12±20%	0.050	27	2.0	3.30
XFTPRH6D38T-150M	15±20%	0.055	26	1.8	3.00
XFTPRH6D38T-180M	18±20%	0.075	25	1.6	2.65
XFTPRH6D38T-220M	22±20%	0.082	22	1.5	2.35
XFTPRH6D38T-270M	27±20%	0.109	19	1.3	2.10
XFTPRH6D38T-330M	33±20%	0.124	17	1.2	1.95
XFTPRH6D38T-390M	39±20%	0.130	15	1.1	1.90
XFTPRH6D38T-470M	47±20%	0.155	14	1.0	1.85
XFTPRH6D38T-560M	56±20%	0.202	11	0.94	1.60
XFTPRH6D38T-680M	68±20%	0.250	9.6	0.83	1.35
XFTPRH6D38T-820M	82±20%	0.290	8.5	0.74	1.25
XFTPRH6D38T-101M	100±20%	0.310	7.2	0.70	1.15
XFTPRH6D38T-221M	220±20%	0.710	5.0	0.51	0.78
XFTPRH6D38T-471K	470±10%	1.45	3.0	0.35	0.57
XFTPRH6D38T-681K	680±10%	1.98	2.5	0.27	0.56

Notes:

- Solderability: Leads shall meet MIL-STD-202G, Method 208H for solderability.
- Flammability: UL94V-0
- ASTM oxygen index: > 28%
- Insulation System: Class F 155°C. UL file E151556
- Operating Temperature Range: All listed parameters are to be within tolerance from -40°C to +125°C
- Storage Temperature Range: -55°C to +125°C
- Aqueous wash compatible
- SMD Lead Coplanarity: ±0.004"(0.102mm)
- Electrical and mechanical specifications 100% tested
- RoHS Compliant Component
- OCL Test Parameters: 100KHz, 0.1Vrms, 0.0Acd
- Values @ 20°C