

PLEASE CHECK WWW.MOLEX.COM FOR LATEST PART INFORMATION

Part Number: **0014600184**
Status: **Active**
Description: 2.54mm (.100") Pitch SL™ Insulation Displacement Connector Assembly, Female, Single Row, Version G, Positive Lock, Wire Size 26, 3.81µm (150µ") Tin/Lead (SnPb), 18 Circuits

Documents:

[3D Model](#) [Product Specification PS-70400 \(PDF\)](#)
[Drawing \(PDF\)](#) [RoHS Certificate of Compliance \(PDF\)](#)

Agency Certification

CSA LR19980
 UL E29179

General

Product Family Ribbon Cable / Wire Trap Connectors
 Series [70400](#)
 Comments Terminals Preloaded
 Component Type Housing
 Glow-Wire Compliant No
 Product Name SL™

Physical

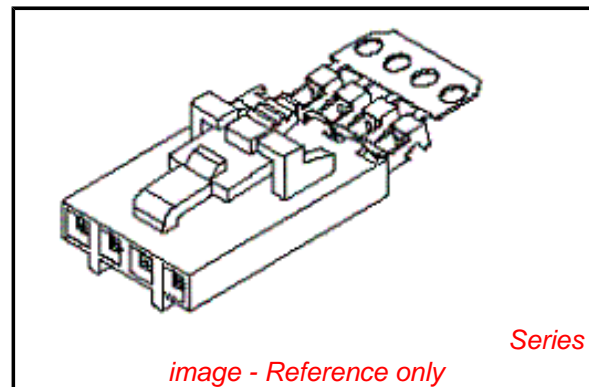
Circuits (Loaded) 18
 Color - Resin Black
 Durability (mating cycles max) 25
 Entry Angle Vertical
 Flammability 94V-0
 Lock to Mating Part Yes
 Material - Metal Phosphor Bronze
 Material - Plating Mating Tin
 Material - Plating Termination Tin
 Material - Resin Polyester Alloy
 Number of Rows 1
 PCB Retention None
 Packaging Type Tube
 Pitch - Mating Interface (in) 0.100 In
 Pitch - Mating Interface (mm) 2.54 mm
 Plating min: Mating (µin) 150
 Plating min: Mating (µm) 3.75
 Plating min: Termination (µin) 75
 Plating min: Termination (µm) 1.875
 Polarized to Mating Part Yes
 Stackable Yes
 Surface Mount Compatible (SMC) N/A
 Temperature Range - Operating -40°C to +105°C
 Termination Interface: Style IDT or Pierce
 Wire Insulation Diameter 1.35mm (.053") max.
 Wire Size AWG 26
 Wire/Cable Type Discrete Wire, Ribbon Cable

Electrical

Current - Maximum per Contact 1.8A
 Voltage - Maximum 250V

Material Info

Old Part Number 70400-0332



EU RoHS

ELV and RoHS Compliant
REACH SVHC Not Reviewed
Halogen-Free Status Not Reviewed

China RoHS



Need more information on product environmental compliance?

Email productcompliance@molex.com
 For a multiple part number RoHS Certificate of Compliance, [click here](#)

Please visit the [Contact Us](#) section for any non-product compliance questions.

Search Parts in this Series

[70400Series](#)

Mates With

[70018](#) , [70107A/B](#), [70543](#), [70545](#) , [70553](#) , [70555](#)

Use With

[7307](#) Tinned 28AWG, [7767](#) Topcoat 28AWG, [24241](#) Tinned 26AWG, [8996](#) Topcoat 26AWG, [24226](#) Tinned 24AWG, [8997](#) Topcoat 24AWG, [24369](#) High Flex 26AWG, [24389](#) High Flex 24AWG

Application Tooling | FAQ

Tooling specifications and manuals are found by selecting the products below. Crimp Height Specifications are then contained in the Application Tooling Specification document.

Global

| Description | Product # |
|-------------------------------|----------------------------|
| Hawk Semi- Automatic Discrete | 0011201337 |

Reference - Drawing Numbers

Product Specification
Sales Drawing

PS-70400
SDA-70400-0316-0339

| | |
|---|-------------------|
| Wire Terminator for SL - Rebuilt US* | |
| Hawk™ Ribbon | <u>0623003000</u> |
| Cable Terminator for SL without Break-off | |
| Hawk™ Semi- Automatic Discrete | <u>0623003100</u> |
| Wire Terminator for SL | |
| Hawk™ Flat Flex | <u>0623005200</u> |
| Cable Terminator for SL with Break-off | |
| Hawk™ Ribbon | <u>0623005300</u> |
| Cable Terminator with for SL Break-off | |
| Hawk™ Semi- Automatic Discrete | <u>0623004900</u> |
| Wire Terminator for SL - Rebuilt CE Approved* | |

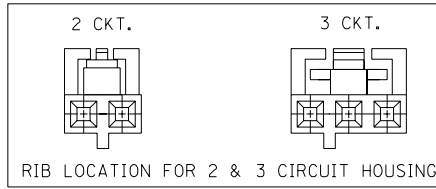
This document was generated on 03/30/2010

PLEASE CHECK WWW.MOLEX.COM FOR LATEST PART INFORMATION

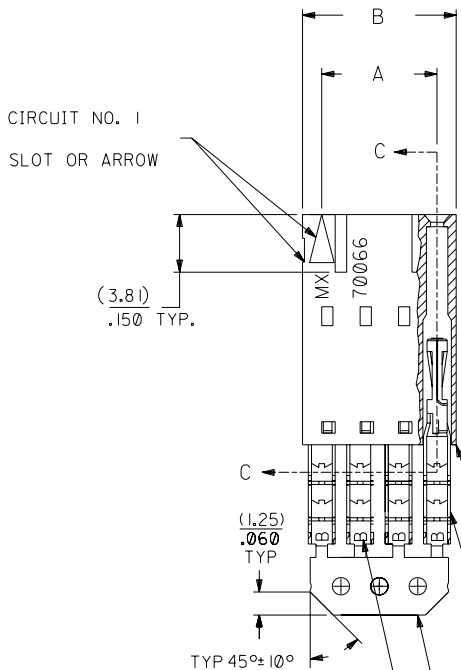
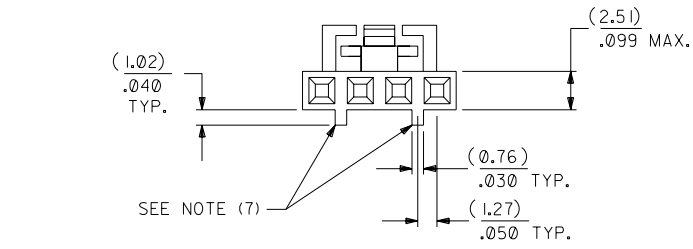
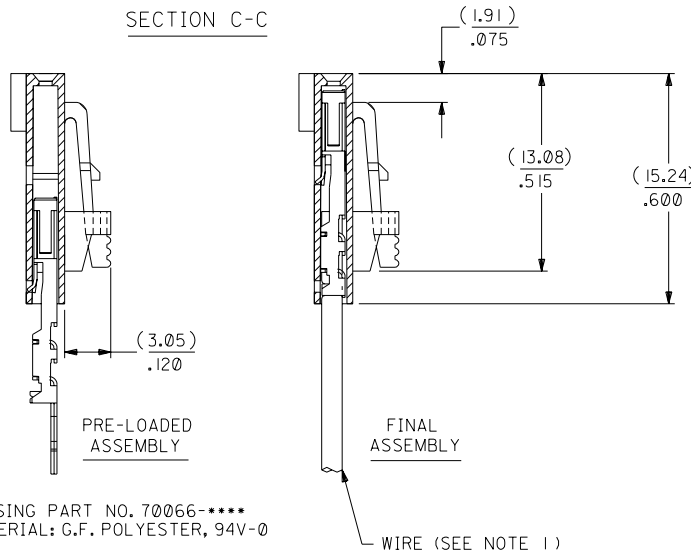
OPTION G

NOTES:

- TO BE USED WITH (26) AWG. STRANDED WIRE WITH (1.35)/.053 DIA. MAX. INSULATION.
- SEE CHART FOR CIRCUIT SIZES.
- STANDARD PACKAGING PER PK-70873-0001. OPTIONAL PACKAGING MAY BE AVAILABLE, REQUEST DWG. PK-70400
- PARTS STACKABLE END TO END ON (2.54)/.100 CENTERS.
- REFER TO PRODUCT SPECIFICATION: PS-70400.
- SEE DWG. SDA-70400-**** (SHT. 5) FOR OPTIONAL HOUSING DETAILS.
- 4 CIRCUIT SHOWN. 4 - 25 CKT'S. HAVE (2) RIBS.
- TO MATE WITH MOLEX PART NO'S.: A-70373-****, A-70375-****, A-70389-****, A-70391-****, 70107-****, 70018-****, A-70543-****, A-70553-****, A-70541-****, A-70551-****, A-70545-****, A-70555-****.
- 2 CIRCUIT ASSEMBLIES SUPPLIED AS GROUPED PAIRS.



SECTION C-C



| I.D. SLOT CODE TO WIRE GAUGE CHART | |
|------------------------------------|------------|
| I.D. SLOT CODE | WIRE GAUGE |
| B | 26 AWG. |

| PLATING CODE (STRIPE ON CARRIER STRIP) | |
|--|-------|
| PLATING | COLOR |
| TIN | NONE |

TERMINAL PART NO. 70028-****
MATERIAL: PHOSPHOR BRONZE
PLATING PER ES-88-***
TIN - .000150 MIN. TIN OVER
.000050 MIN. NICKEL PLATE.

*THE PRIMARY SHIPPING CARTON WILL BE LABELED "COMPLIANT TO ROHS DIRECTIVE 2002/95/EC AND ELV ANNEX II OF DIRECTIVE 2000/53/EC". CARTONS WITHOUT THIS LABEL MAY CONTAIN PRODUCT WITH LEAD.

| CKT. SIZE | A | B | EDP. NO. | ENG. NO. |
|-----------|--------------------|--------------------|------------|--------------|
| 2 | (2.54) .100 | (5.05) .199 | 14-60-0024 | A-70400-0316 |
| 3 | (5.08) .200 | (7.59) .299 | 14-60-0034 | A-70400-0317 |
| 4 | (7.62) .300 | (10.13) .399 | 14-60-0044 | A-70400-0318 |
| 5 | (10.16) .400 | (12.67) .499 | 14-60-0054 | A-70400-0319 |
| 6 | (12.70) .500 | (15.21) .599 | 14-60-0064 | A-70400-0320 |
| 7 | (15.24) .600 | (17.75) .699 | 14-60-0074 | A-70400-0321 |
| 8 | (17.78) .700 | (20.29) .799 | 14-60-0084 | A-70400-0322 |
| 9 | (20.32) .800 | (22.83) .899 | 14-60-0094 | A-70400-0323 |
| 10 | (22.86) .900 | (25.37) .999 | 14-60-0104 | A-70400-0324 |
| 11 | (25.54) 1.000 | (27.91) 1.099 | 14-60-0114 | A-70400-0325 |
| 12 | (27.94) 1.100 | (30.45) 1.199 | 14-60-0124 | A-70400-0326 |
| 13 | (30.48) 1.200 | (32.99) 1.299 | 14-60-0134 | A-70400-0327 |
| 14 | (33.02) 1.300 | (35.53) 1.399 | 14-60-0144 | A-70400-0328 |
| 15 | (35.56) 1.400 | (38.07) 1.499 | 14-60-0154 | A-70400-0329 |
| 16 | (38.01) 1.500 | (40.61) 1.599 | 14-60-0164 | A-70400-0330 |
| 17 | (40.64) 1.600 | (43.15) 1.699 | 14-60-0174 | A-70400-0331 |
| 18 | (43.18) 1.700 | (45.69) 1.799 | 14-60-0184 | A-70400-0332 |
| 19 | (45.72) 1.800 | (48.23) 1.899 | 14-60-0194 | A-70400-0333 |
| 20 | (48.26) 1.900 | (50.77) 1.999 | 14-60-0204 | A-70400-0334 |
| 21 | (50.80) 2.000 | (53.31) 2.099 | 14-60-0214 | A-70400-0335 |
| 22 | (53.34) 2.100 | (55.85) 2.199 | 14-60-0224 | A-70400-0336 |
| 23 | (55.88) 2.200 | (58.39) 2.299 | 14-60-0234 | A-70400-0337 |
| 24 | (58.42) 2.300 | (60.93) 2.399 | 14-60-0244 | A-70400-0338 |
| 25 | (60.96) 2.400 | (63.47) 2.499 | 14-60-0254 | A-70400-0339 |

| I | LEAD FREE UCP2004-1769 RWHITE 04/03/17 | E | REVISED PER ECR NO. U82110 10-17-88 AAB |
|------|--|------|--|
| HI | ADD CARRIER CHAMF ECN #UDT1998-0280 05/20/98 LMCGRATH <td>D</td> <td>REVISE PER ECR #U80110 2/3/88 MJM </td> | D | REVISE PER ECR #U80110 2/3/88 MJM |
| F | REVISED PER ECN# U90726 <td>C</td> <td>REDRAWN ON CAD ECR# 8842 5/9/86 W.Z. </td> | C | REDRAWN ON CAD ECR# 8842 5/9/86 W.Z. |
| LTR. | REVISIONS | LTR. | REVISIONS |

| DIMENSIONS SHOWN (METRIC) INCH | |
|--|------------------|
| UNLESS OTHERWISE SPECIFIED TOLERANCES: ANGULAR ± 1/2° | |
| 3 PLACE ± .010 | METRIC --- |
| 2 PLACE ± .014 | ± 0.25 |
| 1 PLACE --- | ± 0.35 |
| DRAFT WHERE APPLICABLE MUST REMAIN WITHIN DIMENSIONS | |
| DRWG. BY WAZ | CHK'D. BY WAZ |
| APP'D. BY | SCALE 4 : 1 |

| MFG. SH. REV. | | REVISE ONLY ON CAD SYSTEM | |
|---|------------------|--|------------------|
| TITLE ASSEMBLY, SL CONNECTOR (SINGLE ROW- (2.54)/.100 GRID) | | | |
| MOLEX INCORPORATED LITSE, ILL. 60532 U.S.A. | | SHEET NO. 60532 | DATE 10/09/84 |
| PART NO. SDA-70400-0316-0339 | | DRWG. NO. | |
| SEE CHART | | | |
| FILE NAME S70400GK2 | | THIS DRAWING CONTAINS INFORMATION THAT IS PROPRIETARY TO MOLEX INC. AND SHOULD NOT BE USED WITHOUT WRITTEN PERMISSION. | |
| DRWG. BY WAZ | CHK'D. BY WAZ | APP'D. BY | SCALE 4 : 1 |
| LTR. | REVISIONS | LTR. | REVISIONS |