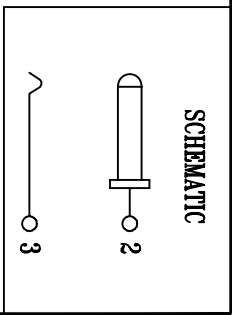
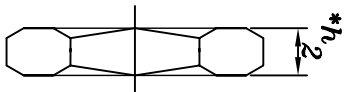
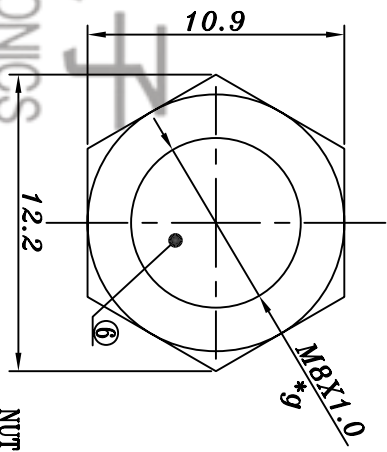


PCB LAYOUT



PIN	$\phi 2.0$	$\phi 2.35$	$\phi 2.5$

NO.	PART	NAME	MATERIAL	QTY	FINISHING
6	NUT		STEEL	1	Ni-PLATED
5	AXIS DUDE		BRASS	1	Ni-PLATED
4	PIN		COPPER ALLOY	1	Ni-PLATED
3	CONTACT FOOT 3#		BRASS	1	Ag-PLATED
2	CONTACT FOOT 2#		PHOSPHOR BRONZE	1	Ag-PLATED
1	HOUSING		PBT	1	BLACK

TOLERANCE		UNLESS SPECIFIED	
UP TO 5mm: $\pm 0.1$	ANGULAR	A2	2019.12.10
ABOVE 5mm: $\pm 0.2$	$\pm 1^\circ$	A1	2019.8.26

TITLE: DC JACK		MODEL: DC-022D	
UNIT: MM	SCALE: 1:1	DATE	REVISIONS

REV.	BY	APPD	DATE
更新图纸	更新图纸	更新图纸	更新图纸

PRO.AGL.	REV: A2



HAOYU(HONGKONG)LIMITED  
皓宇(香港)有限公司