

PLEASE CHECK WWW.MOLEX.COM FOR LATEST PART INFORMATION

Part Number: **0471511101**
Status: **Active**
Overview: high definition multimedia interface hdmi
Description: 0.50mm (.020") Pitch HDMI* Receptacle, Right Angle, Front Solder Tab Length 1.45mm (.057"), Shell Nickel (Ni) Plated, with Back Cover, Tape and Reel Package, Lead Free

Documents:

[3D Model](#) [Product Specification PS-47152-001 \(PDF\)](#)
[Drawing \(PDF\)](#) [RoHS Certificate of Compliance \(PDF\)](#)

General

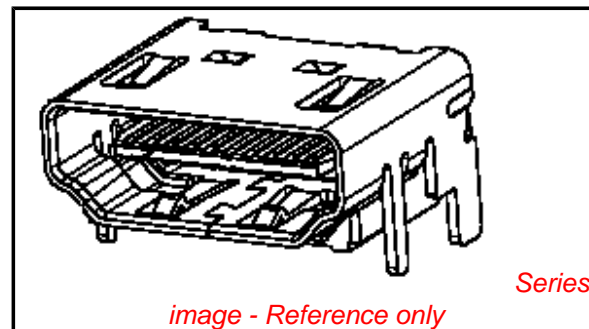
Product Family	I/O Connectors
Series	47151
Application	Wire-to-Board
Component Type	Receptacle
Overview	high definition multimedia interface hdmi
Product Name	HDMI
Type	N/A

Physical

Boot Color	N/A
Circuits (Loaded)	19
Color - Resin	Black
Gender	Male
Keying to Mating Part	Yes
Lock to Mating Part	Yes
Material - Metal	Copper Alloy
Material - Plating Mating	Gold
Material - Plating Termination	Tin-Bismuth
Number of Rows	2
Orientation	Right Angle
PCB Locator	No
PCB Retention	Yes
Packaging Type	Embossed Tape on Reel
Panel Mount	Without Flange
Pitch - Mating Interface (in)	0.020 In
Pitch - Mating Interface (mm)	0.50 mm
Pitch - Term. Interface (in)	0.020 In
Pitch - Term. Interface (mm)	0.50 mm
Plating min: Mating (µin)	30
Plating min: Mating (µm)	0.76
Plating min: Termination (µin)	40
Plating min: Termination (µm)	1
Polarized to Mating Part	Yes
Polarized to PCB	Yes
Ports	1
Temperature Range - Operating	-20°C to +85°C
Termination Interface: Style	Surface Mount
Waterproof / Dustproof	No
Wire Size AWG	N/A

Electrical

Current - Maximum per Contact	.5A
Shielded	Yes
Voltage - Maximum	40V DC



EU RoHS

**ELV and RoHS
Compliant**

REACH SVHC

Not Reviewed

Halogen-Free

Status

Not Halogen-Free

**Need more information on product
environmental compliance?**

Email productcompliance@molex.com
 For a multiple part number RoHS Certificate of Compliance, [click here](#)

Please visit the [Contact Us](#) section for any non-product compliance questions.

China RoHS



Search Parts in this Series

[47151Series](#)

Mates With

[88768](#) HDMI cable assembly, [88764](#) HDMI Adapter, [88767](#) HDMI Adapter

Solder Process Data

Duration at Max. Process Temperature (seconds)	3
Lead-free Process Capability	Reflow Capable (SMT only)
Max. Cycles at Max. Process Temperature	1
Process Temperature max. C	250

Material Info

Reference - Drawing Numbers

Packaging Specification	PK-47151-001
Product Specification	PS-47152-001
Sales Drawing	SD-47151-001

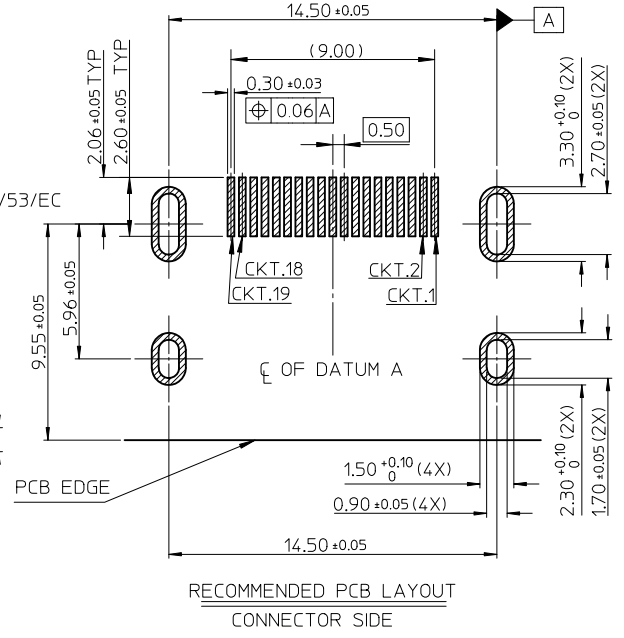
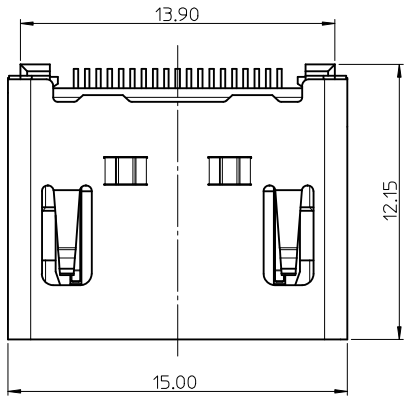
* High Definition Multimedia Interface and HDMI are trademarks of HDMI Licensing, LLC.

This document was generated on 05/19/2010

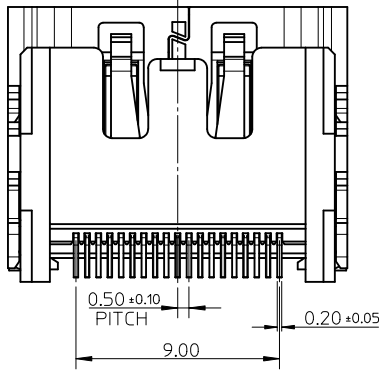
PLEASE CHECK WWW.MOLEX.COM FOR LATEST PART INFORMATION

NOTES:

1. MATERIAL:
HOUSING: THERMOPLASTIC . COLOR: SEE TABLE.
SHELL: COPPER ALLOY.
TERMINAL: COPPER ALLOY.
2. PLATING:
TERMINAL:
CONTACT AREA: (1) 0.76 MICROMETER MIN. GOLD PLATING.
(2) 0.25 MICROMETER MIN. GOLD PLATING.
(3) GOLD FLASH.
(4) 0.375 MICROMETER MIN. GOLD PLATING.
SOLDER AREA: 1 MICROMETER MIN. TIN-BISMUTH ALLOY PLATED.
UNDER PLATE: 1.27 MICROMETER MIN. NICKEL.
SHELL: (a) 1.27 MICROMETER MIN. SOLDERABLE NICKEL PLATE OVERALL.
(b) GOLD FLASH PLATING OVER 1.27 MICROMETER MIN. NICKEL PLATING OVERALL.
3. COPLANARITY IS 0.1MM MAX.
4. PRODUCT SPECIFICATION REFER TO PS-47152-001.
5. PACKAGE SPECIFICATION FOR WITHOUT FLANGE REFER TO PK-47151-001.
6. PRODUCT COMPLIANT TO RoHS DEIRECTIVE 2002/95/EC AND ELV DIRECTIVE 2000/53/EC



RECOMMENDED PANEL CUT OUT DIMENSION



ADD PART NUMBER EC NO: SH2010-0164 DRWN:XOZHANG 2009/10/20 CHKD:GLLI 2009/10/21 APPR:XJISONG 2009/11/30	QUALITY SYMBOLS F=0 F=0 F=0	GENERAL TOLERANCES (UNLESS SPECIFIED)		DIMENSION STYLE MM ONLY		SCALE 5:1	DESIGN UNITS METRIC	THIRD ANGLE PROJECTION
		4 PLACES ± --- ± --- 3 PLACES ± --- ± --- 2 PLACES ± 0.25 ± --- 1 PLACE ± 0.25 ± ---	mm INCH	DRAWN BY RZHANG	DATE 2004/07/20	TITLE 1.0 HDMI RIGHT ANGLE HEADER ASSEMBLY(19 PIN) LEAD FREE		
		ANGULAR ± 3 °		CHECKED BY GRMA	DATE 2004/07/20	MOLEX INCORPORATED		
		DRAFT WHERE APPLICABLE MUST REMAIN WITHIN DIMENSIONS		APPROVED BY YTYAP	DATE 2004/07/20	MATERIAL NO. SEE SHEET 6	DOCUMENT NO. SD-47151-001	
				SIZE A3	THIS DRAWING CONTAINS INFORMATION THAT IS PROPRIETARY TO MOLEX INCORPORATED AND SHOULD NOT BE USED WITHOUT WRITTEN PERMISSION			

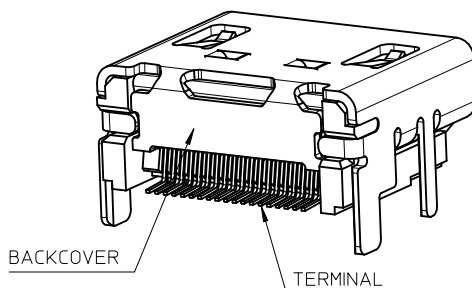
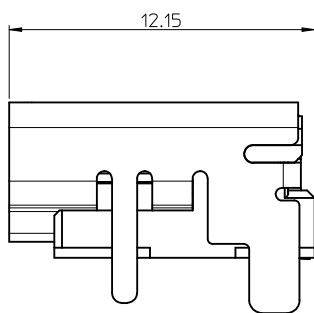
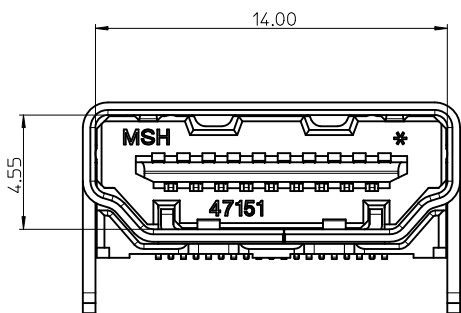


NOTES:

1. THE UNSPECIFIED DIMENSIONS REFER TO SHEET 1.
2. PACKAGE SPECIFICATION FOR WITH FLANGE REFER TO PK-47151-002.

SEE SHEET 1 EC NO: SH2010-0164 DRWN: XQZHANG CHKD: GLLI APPR: XJ SONG	2009/10/20 2009/10/21 2009/11/20	QUALITY SYMBOLS $\nabla_A = 0$ $\nabla_C = 0$ $\nabla_P = 0$	GENERAL TOLERANCES (UNLESS SPECIFIED)		DIMENSION STYLE MM ONLY		SCALE 5:1	DESIGN UNITS METRIC	THIRD ANGLE PROJECTION		
			mm INCH	DRAWN BY RZHANG	DATE 2004/07/20	TITLE 1.0 HDMI RIGHT ANGLE HEADER ASSEMBLY(19 PIN) LEAD FREE					
	4 PLACES ± --- ± ---		3 PLACES ± --- ± ---	2 PLACES ± 0.25 ± ---	1 PLACE ± 0.25 ± ---	CHECKED BY GRMA	DATE 2004/07/20	APPROVED BY YTYAP			
	ANGULAR ± 3 °				MATERIAL NO. SEE SHEET 6	DATE 2004/07/20	MOLEX INCORPORATED		DOCUMENT NO. SD-47151-001	SHEET NO. 2 OF 8	
DRAFT WHERE APPLICABLE MUST REMAIN WITHIN DIMENSIONS					SIZE A3	THIS DRAWING CONTAINS INFORMATION THAT IS PROPRIETARY TO MOLEX INCORPORATED AND SHOULD NOT BE USED WITHOUT WRITTEN PERMISSION					

WITH BACK COVER



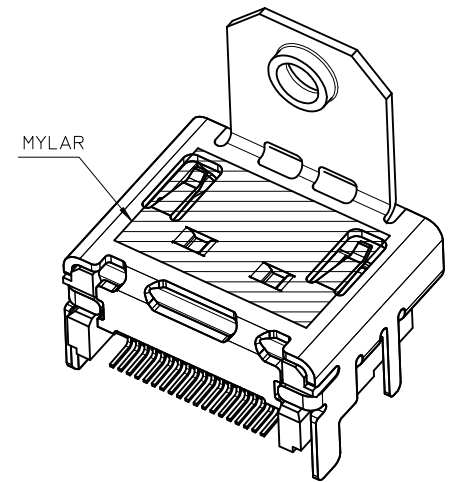
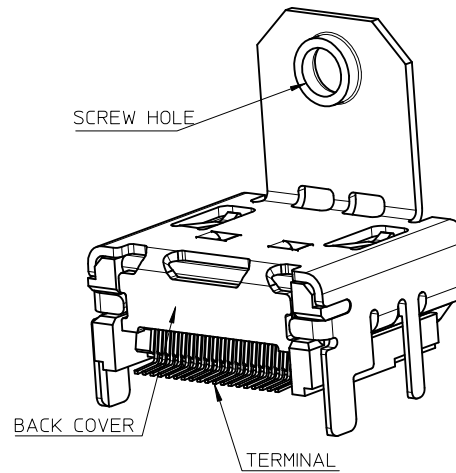
NOTES:

1. THE UNSPECIFIED DIMENSIONS REFER TO 47151-0001.
2. PACKAGE SPECIFICATION FOR WITHOUT FLANGE REFER TO PK-47151-001.

THIS IS ONLY FOR 47151-1061/1071/1081

SEE SHEET 1 EC NO: SH2010-0164 DRWN: XQZHANG CHKD: GLLI APPR: XJSONG	2009/10/20 2009/10/21 2009/11/30	DESCRIPTION REV	QUALITY SYMBOLS	GENERAL TOLERANCES (UNLESS SPECIFIED)	DIMENSION STYLE	SCALE	DESIGN UNITS	THIRD ANGLE PROJECTION		
			$\nabla_A = 0$ $\nabla_B = 0$ $\nabla_C = 0$	mm INCH 4 PLACES ± --- ± --- 3 PLACES ± --- ± --- 2 PLACES ± 0.25 ± --- 1 PLACE ± 0.25 ± --- ANGULAR ± 3 °	MM ONLY	5:1	METRIC	DRAWN BY: RZHANG CHECKED BY: GRMA APPROVED BY: YTYAP MATERIAL NO.	DATE: 2004/07/20 DATE: 2004/07/20 DATE: 2004/07/20	TITLE: 1.0 HDMI RIGHT ANGLE HEADER ASSEMBLY(19 PIN) LEAD FREE MOLEX INCORPORATED
			DRAFT WHERE APPLICABLE MUST REMAIN WITHIN DIMENSIONS	SEE SHEET 7	SIZE: A3 THIS DRAWING CONTAINS INFORMATION THAT IS PROPRIETARY TO MOLEX INCORPORATED AND SHOULD NOT BE USED WITHOUT WRITTEN PERMISSION	DOCUMENT NO.: SD-47151-001	SHEET NO.: 3 OF 8			

WITH BACK COVER



THIS IS ONLY FOR
47151-1025/1075/1085/6022/6032/1026/2062

NOTES:

1. THE UNSPECIFIED DIMENSIONS REFER TO 47151-0002.
2. PACKAGE SPECIFICATION FOR WITH FLANGE:
 OPTION 1: 47151-1026/2062/6032 REFER TO PK-47151-005.
 OPTION 2: 47151-1102 REFER TO PK-47151-003.
 OPTION 3: OTHER PART NUMBER REFER TO PK-47151-002.

SEE SHEET 1 EC NO: SH2010-0164 DRW: XQZHANG CHK: GLLI APPR: XJSONG	2009/10/20 2009/10/21 2009/11/30	DESCRIPTION REV	QUALITY SYMBOLS	GENERAL TOLERANCES (UNLESS SPECIFIED)	DIMENSION STYLE	SCALE	DESIGN UNITS	THIRD ANGLE PROJECTION		
			$\nabla_A = 0$ $\nabla_C = 0$ $\nabla_B = 0$	mm INCH 4 PLACES ± --- ± --- 3 PLACES ± --- ± --- 2 PLACES ± 0.25 ± --- 1 PLACE ± 0.25 ± --- ANGULAR ± 3 °	MM ONLY	5:1	METRIC	DRAWN BY: RZHANG CHECKED BY: GRMA APPROVED BY: YTYAP MATERIAL NO.	DATE: 2004/07/20 DATE: 2004/07/20 DATE: 2004/07/20	TITLE: 1.0 HDMI RIGHT ANGLE HEADER ASSEMBLY(19 PIN) LEAD FREE MOLEX INCORPORATED DOCUMENT NO. SD-47151-001
			DRAFT WHERE APPLICABLE MUST REMAIN WITHIN DIMENSIONS	SEE SHEET 8	SIZE: A3 THIS DRAWING CONTAINS INFORMATION THAT IS PROPRIETARY TO MOLEX INCORPORATED AND SHOULD NOT BE USED WITHOUT WRITTEN PERMISSION	SHEET NO. 4 OF 8				



WITHOUT TOP HOLE



- NOTES:
1. THE UNSPECIFIED DIMENSIONS REFER TO 47151-1102.
 2. PACKAGE SPECIFICATION FOR WITH FLANGE REFER TO PK-47151-002.

SEE SHEET 1 IEC NO: SH2010-0164 DRWN: XZZHANG CH'KD: GLLI APPR: XJ.SONG	2009/10/20 2009/10/21 2009/11/30	QUALITY SYMBOLS $\nabla_F = 0$ $\nabla_E = 0$ $\nabla_A = 0$	GENERAL TOLERANCES (UNLESS SPECIFIED)	DIMENSION STYLE MM ONLY	SCALE 5:1	DESIGN UNITS METRIC	THIRD ANGLE PROJECTION																			
			<table border="1"> <thead> <tr> <th></th> <th>mm</th> <th>INCH</th> </tr> </thead> <tbody> <tr> <td>4 PLACES</td> <td>± ---</td> <td>± ---</td> </tr> <tr> <td>3 PLACES</td> <td>± ---</td> <td>± ---</td> </tr> <tr> <td>2 PLACES</td> <td>± 0.25</td> <td>± ---</td> </tr> <tr> <td>1 PLACE</td> <td>± 0.25</td> <td>± ---</td> </tr> <tr> <td colspan="3">ANGULAR ± 3 °</td> </tr> </tbody> </table>		mm	INCH	4 PLACES	± ---	± ---	3 PLACES	± ---	± ---	2 PLACES	± 0.25	± ---	1 PLACE	± 0.25	± ---	ANGULAR ± 3 °			DRAWN BY RZHANG	DATE 2004/07/20	TITLE 1.0 HDMI RIGHT ANGLE HEADER ASSEMBLY(19 PIN) LEAD FREE		
		mm	INCH																							
	4 PLACES	± ---	± ---																							
3 PLACES	± ---	± ---																								
2 PLACES	± 0.25	± ---																								
1 PLACE	± 0.25	± ---																								
ANGULAR ± 3 °																										
			DRAFT WHERE APPLICABLE MUST REMAIN WITHIN DIMENSIONS	CHECKED BY GRMA	DATE 2004/07/20	MOLEX INCORPORATED																				
				APPROVED BY YTYAP	DATE 2004/07/20	DOCUMENT NO. SD-47151-001	SHEET NO. 5 OF 8																			

ASSEMBLY P/N	DIMENSION					FEATURE				HOUSING COLOUR	GOLD PLATING IN CONTACT AREA	SHELL PLATING	REMARK
	DIM A	DIM B	DIM C	DIM D	DIM E	FLANGE	BACK COVER	TOP HOLES	MYLAR				
47151-0001	1.80	2.20	/	/	/	W/O	W/O	WITH	W/O	BLACK	SEE NOTE 2 (1)	SEE NOTE 2 (a)	FOR SHEET 1
47151-0041											SEE NOTE 2 (2)		
47151-0051											SEE NOTE 2 (3)		
47151-0011											SEE NOTE 2 (1)		
47151-0071											SEE NOTE 2 (2)		
47151-0061											SEE NOTE 2 (3)		
47151-0021											SEE NOTE 2 (1)		
47151-0031											SEE NOTE 2 (1)		
47151-0101	1.45	1.45	/	/	/	W/O	W/O	WITH	W/O	BLACK	SEE NOTE 2 (1)	SEE NOTE 2 (a)	
47151-0141											SEE NOTE 2 (2)		
47151-0151											SEE NOTE 2 (3)		
47151-0111											SEE NOTE 2 (1)		
47151-0181											SEE NOTE 2 (2)		
47151-0161											SEE NOTE 2 (3)		
47151-0121											SEE NOTE 2 (1)		
47151-0131											SEE NOTE 2 (1)		
47151-0002	1.80	2.20	M3.0x0.5	16.08	13.38	WITH	W/O	WITH	W/O	BLACK	SEE NOTE 2 (1)	SEE NOTE 2 (a)	
47151-0042											SEE NOTE 2 (2)		
47151-0062											SEE NOTE 2 (3)		
47151-0012											SEE NOTE 2 (1)		
47151-0052											SEE NOTE 2 (2)		
47151-0072											SEE NOTE 2 (3)		
47151-0022											SEE NOTE 2 (1)		
47151-0032											SEE NOTE 2 (1)		
47151-0102	1.45	1.45	M3.0x0.5	16.08	13.38	WITH	W/O	WITH	W/O	BLACK	SEE NOTE 2 (1)	SEE NOTE 2 (a)	
47151-0142											SEE NOTE 2 (2)		
47151-0162											SEE NOTE 2 (3)		
47151-0112											SEE NOTE 2 (1)		
47151-0152											SEE NOTE 2 (2)		
47151-0172											SEE NOTE 2 (3)		
47151-0122											SEE NOTE 2 (1)		
47151-0132											SEE NOTE 2 (1)		
47151-6002	1.80	2.20	M3.0x0.5	14.25	11.28	WITH	W/O	WITH	W/O	BLACK	SEE NOTE 2 (1)	SEE NOTE 2 (a)	
47151-6062											SEE NOTE 2 (2)		
47151-6082											SEE NOTE 2 (3)		
47151-6102	1.45	1.45	M3.0x0.5	14.25	11.28	WITH	W/O	WITH	W/O	BLACK	SEE NOTE 2 (1)		
47151-6172											SEE NOTE 2 (2)		
47151-6162											SEE NOTE 2 (3)		

SEE SHEET 1 EC NO: SH2010-0164 DRWN: XZHZHANG CHKD: GLLI APPR: XJ.SONG	QUALITY SYMBOLS $F_A=0$ $F_C=0$ $F_P=0$	GENERAL TOLERANCES (UNLESS SPECIFIED)		DIMENSION STYLE MM ONLY		SCALE 1:1	DESIGN UNITS METRIC	THIRD ANGLE PROJECTION	
				DRAWN BY RZHANG	DATE 2004/07/20	TITLE 1.0 HDMI RIGHT ANGLE HEADER ASSEMBLY(19 PIN) LEAD FREE			
				CHECKED BY GRMA	DATE 2004/07/20	APPROVED BY YTYAP			
				MATERIAL NO. SEE TABLE		DOCUMENT NO. SD-47151-001			
DRAFT WHERE APPLICABLE MUST REMAIN WITHIN DIMENSIONS		SIZE A3		THIS DRAWING CONTAINS INFORMATION THAT IS PROPRIETARY TO MOLEX INCORPORATED AND SHOULD NOT BE USED WITHOUT WRITTEN PERMISSION					

ASSEMBLY P/N	DIMENSION					FEATURE				HOUSING COLOUR	GOLD PLATING IN CONTACT AREA	SHELL PLATING	REMARK												
	DIM A	DIM B	DIM C	DIM D	DIM E	FLANGE	BACK COVER	TOP HOLES	MYLAR																
47151-1001	1.80	2.20	/	/	/	W/O	WITH	WITH	W/O	BLACK	SEE NOTE 2 (1) SEE NOTE 2 (2) SEE NOTE 2 (3) SEE NOTE 2 (4)	SEE NOTE 2 (a)	FOR SHEET 3												
47151-1041																									
47151-1051																									
47151-1003																									
47151-1061																									
47151-1071																									
47151-1081																									
47151-1011																									
47151-1211																									
47151-1311																									
47151-1021																									
47151-1091																									
47151-1031																									
47151-1101																									
47151-1141	1.45	1.45	/	/	/	W/O	WITH	WITH	W/O	SEE NOTE 2 (1) SEE NOTE 2 (2) SEE NOTE 2 (3) SEE NOTE 2 (1) SEE NOTE 2 (2) SEE NOTE 2 (3)	SEE NOTE 2 (a)	FOR SHEET 5													
47151-1151																									
47151-1111																									
47151-1161																									
47151-1171																									
47151-1121																									
47151-1131																									
47151-7102																									
47151-7142																									
47151-7162																									
													1.45	1.45	M3.0x0.5	16.08	13.38	WITH	WITH	W/O	W/O	BLACK	SEE NOTE 2 (1) SEE NOTE 2 (2) SEE NOTE 2 (3)	SEE NOTE 2 (a)	FOR SHEET 5

SEE SHEET 1 EC NO: SH2010-0164 DRWN: XZHANG 2009/10/20 CHKD: GLLI 2009/10/21 APPR: XJISONG 2009/11/30	QUALITY SYMBOLS $\nabla_A = 0$ $\nabla_B = 0$ $\nabla_C = 0$	GENERAL TOLERANCES (UNLESS SPECIFIED)		DIMENSION STYLE MM ONLY		SCALE 1:1	DESIGN UNITS METRIC	THIRD ANGLE PROJECTION	
		4 PLACES \pm --- \pm --- 3 PLACES \pm --- \pm --- 2 PLACES \pm 0.25 \pm --- 1 PLACE \pm 0.25 \pm ---	mm INCH	DRAWN BY RZHANG	DATE 2004/07/20	TITLE 1.0 HDMI RIGHT ANGLE HEADER ASSEMBLY(19 PIN) LEAD FREE			
		ANGULAR \pm 3 °		CHECKED BY GRMA	DATE 2004/07/20	MOLEX INCORPORATED			
		DRAFT WHERE APPLICABLE MUST REMAIN WITHIN DIMENSIONS		APPROVED BY YTYAP	DATE 2004/07/20	MATERIAL NO. SEE TABLE	DOCUMENT NO. SD-47151-001	SHEET NO. 7 OF 8	

ASSEMBLY P/N	DIMENSION					FEATURE				HOUSING COLOUR	GOLD PLATING IN CONTACT AREA	SHELL PLATING	REMARK							
	DIM A	DIM B	DIM C	DIM D	DIM E	FLANGE	BACK COVER	TOP HOLES	MYLAR											
47151-1002	1.80	2.20	M3.0x0.5	16.08	13.38	WITH	WITH	WITH	W/O	BLACK	SEE NOTE 2 (1) SEE NOTE 2 (2) SEE NOTE 2 (3) SEE NOTE 2 (4)	SEE NOTE 2 (a)	FOR SHEET 4							
47151-1042																				
47151-1052																				
47151-1062																				
47151-2062																				
47151-1012									W/O	NATURE	SEE NOTE 2 (1) SEE NOTE 2 (2) SEE NOTE 2 (3)									
47151-1072																				
47151-1082																				
47151-1022														BLACK	SEE NOTE 2 (1)					
47151-1032																NATURE	SEE NOTE 2 (1)			
47151-1102	1.45	1.45	M3.0x0.5	16.08	13.38	WITH	WITH	WITH	W/O	BLACK	SEE NOTE 2 (1) SEE NOTE 2 (2) SEE NOTE 2 (3) SEE NOTE 2 (1)									
47151-1142																				
47151-1152																				
47151-1112																				
47151-1162												NATURE		SEE NOTE 2 (2) SEE NOTE 2 (3)						
47151-1172																				
47151-1122									BLACK	SEE NOTE 2 (1)										
47151-1132											NATURE				SEE NOTE 2 (1)					
47151-1005									1.80	2.20	4-40				16.08	13.38	WITH	WITH	WITH	W/O
47151-1045																				
47151-1065																				
47151-1015																				
47151-1035	NATURE	SEE NOTE 2 (1) SEE NOTE 2 (2) SEE NOTE 2 (3)																		
47151-1055																				
47151-1025			WITH	BLACK	SEE NOTE 2 (1) SEE NOTE 2 (2) SEE NOTE 2 (3)															
47151-1075																				
47151-1085																				
47151-1026	1.80	2.20	M3.0x0.5	14.25	11.28	WITH	WITH	WITH				W/O		BLACK						SEE NOTE 2 (1) SEE NOTE 2 (2) SEE NOTE 2 (3)
47151-6012																				
47151-6042																				
47151-6052									WITH	BLACK	SEE NOTE 2 (1) SEE NOTE 2 (2) SEE NOTE 2 (3)									
47151-6022																				
47151-6032																				
47151-6112												W/O		BLACK	SEE NOTE 2 (1) SEE NOTE 2 (2)					
47151-6142																				
47151-6152																				

SEE SHEET 1 EC NO: SH2010-0164 DRWN: XZHZHANG 2009/10/20 CH'KD: GLLI 2009/10/21 APPR: XJJSONG 2009/11/30	QUALITY SYMBOLS $F_{\Delta} = 0$ $F_{\nabla} = 0$ $F_{\square} = 0$	GENERAL TOLERANCES (UNLESS SPECIFIED)		DIMENSION STYLE MM ONLY		SCALE 1:1	DESIGN UNITS METRIC	THIRD ANGLE PROJECTION	
		4 PLACES \pm --- \pm --- 3 PLACES \pm --- \pm --- 2 PLACES \pm 0.25 \pm --- 1 PLACE \pm 0.25 \pm ---	mm INCH	DRAWN BY RZHANG	DATE 2004/07/20	TITLE 1.0 HDMI RIGHT ANGLE HEADER ASSEMBLY(19 PIN) LEAD FREE			
		ANGULAR \pm 3 °		CHECKED BY GRMA	DATE 2004/07/20	MOLEX INCORPORATED			
		DRAFT WHERE APPLICABLE MUST REMAIN WITHIN DIMENSIONS		APPROVED BY YTYAP	DATE 2004/07/20	MATERIAL NO. SEE TABLE	DOCUMENT NO. SD-47151-001	SHEET NO. 8 OF 8	