

PS9124

Data Sheet

R08DS0049EJ0100

Rev.1.00

HIGH CMR, 10 Mbps OPEN COLLECTOR OUTPUT TYPE, 5-PIN SOP (SO-5) PHOTOCOUPLER

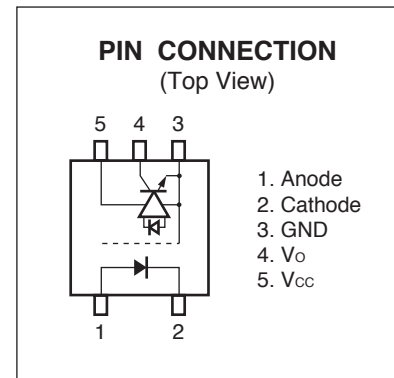
Aug 30, 2013

DESCRIPTION

The PS9124 is an optically coupled high-speed, active low type isolator containing a GaAlAs LED on the input side and a photodiode and a signal processing circuit on the output side on one chip.

FEATURES

- Low power consumption ($V_{CC} = 3.3/5\text{ V}$)
- Small package (SO-5)
- <R> • High-speed response ($t_{PHL} = 100\text{ ns MAX.}$, $t_{PLH} = 100\text{ ns MAX.}$)
- High-speed (10 Mbps)
- High isolation voltage ($BV = 3\ 750\text{ Vr.m.s.}$)
- Open collector output
- Embossed tape product : PS9124-F3 : 2 500 pcs/reel
- Pb-Free product
- Safety standards
 - UL approved: No. E72422
 - CSA approved: No. CA 101391 (CA5A, CAN/CSA-C22.2 60065, 60950)
 - DIN EN 60747-5-5 (VDE 0884-5) approved (Option)



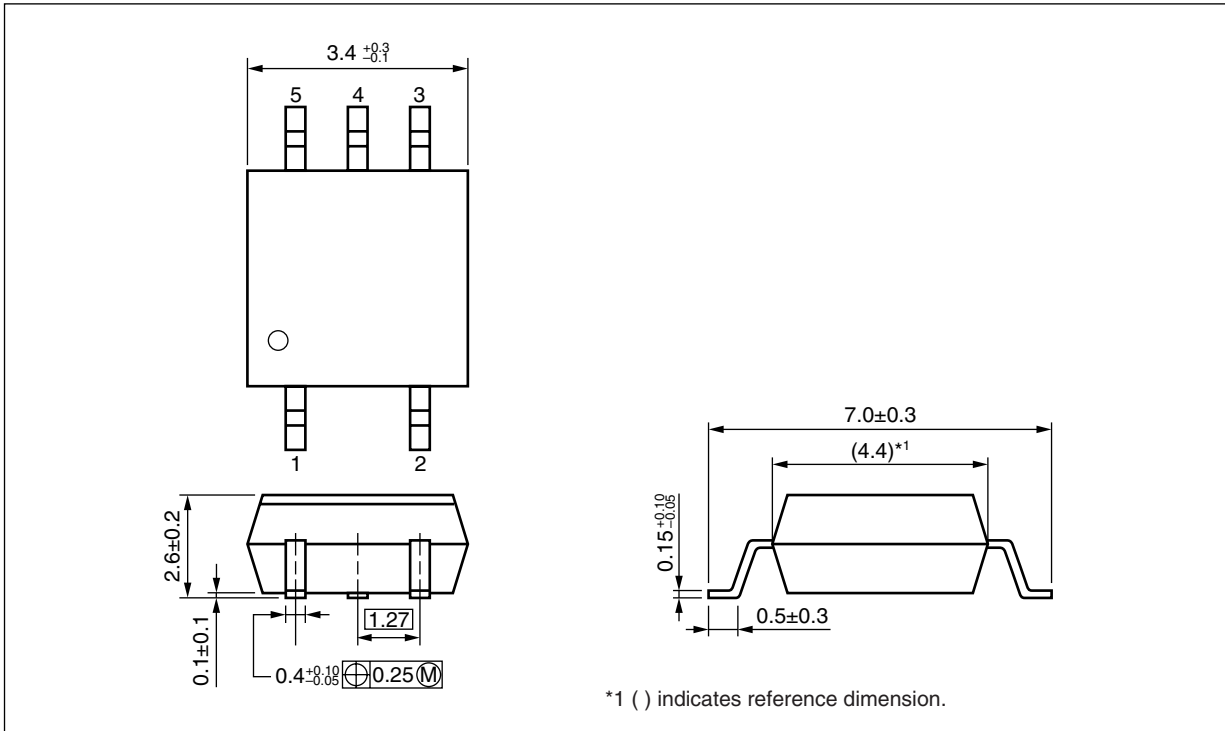
<R> APPLICATIONS

- FA Network

The mark <R> shows major revised points.

The revised points can be easily searched by copying an "<R>" in the PDF file and specifying it in the "Find what:" field.

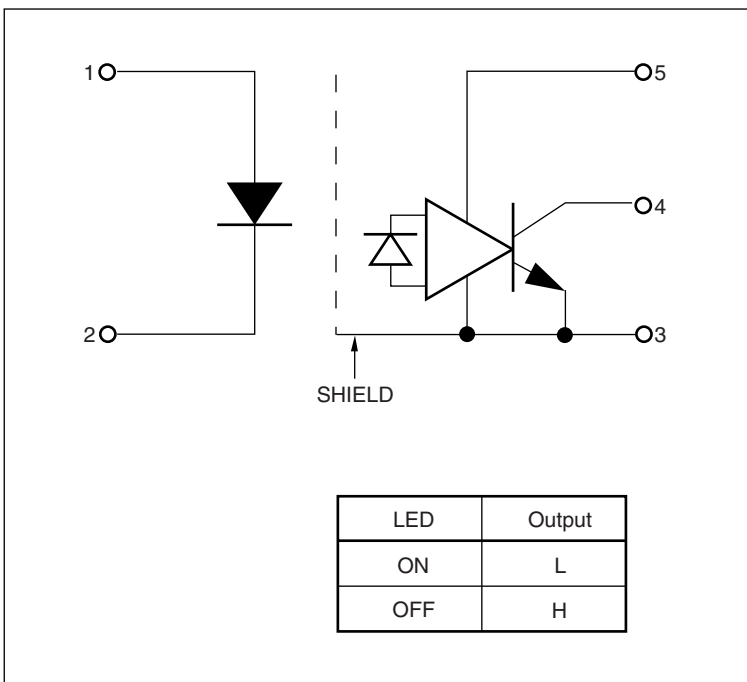
PACKAGE DIMENSIONS (UNIT: mm)



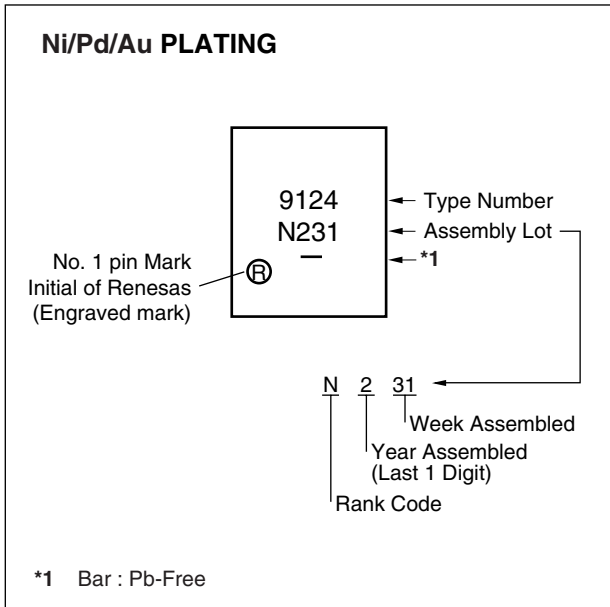
PHOTOCOUPLER CONSTRUCTION

Parameter	MIN.
Air Distance	4.2 mm
Outer Creepage Distance	4.2 mm
Isolation Distance	0.2 mm

BLOCK DIAGRAM (Unit: mm)



MARKING EXAMPLE



ORDERING INFORMATION

Part Number	Order Number	Solder Plating Specification	Packing Style	Safety Standards Approval	Application Part Number *1
PS9124	PS9124-AX	Pb-Free (Ni/Pd/Au)	20 pcs (Tape 20 pcs cut)	Standard products (UL, CSA approved)	PS9124
PS9124-F3	PS9124-F3-AX		Embossed Tape 2 500 pcs/reel		
PS9124-V	PS9124-V-AX		20 pcs (Tape 20 pcs cut)	DIN EN60747-5-5 (VDE0884-5) approved (Option)	
PS9124-V-F3	PS9124-V-F3-AX		Embossed Tape 2 500 pcs/reel		

Note: *1. For the application of the Safety Standard, following part number should be used.

ABSOLUTE MAXIMUM RATINGS (T_A = 25°C, unless otherwise specified)

Parameter		Symbol	Ratings	Unit
Diode	Forward Current *1	I _F	25	mA
	Reverse Voltage	V _R	5	V
Detector	Supply Voltage	V _{CC}	7	V
	Output Voltage	V _O	7	V
	Output Current	I _O	25	mA
	Power Dissipation *2	P _C	200	mW
Isolation Voltage *3		BV	3 750	Vr.m.s.
Operating Ambient Temperature		T _A	-40 to +110	°C
Storage Temperature		T _{stg}	-55 to +125	°C

Notes: *1. Reduced to 0.2 mA/°C at T_A = 25°C or more.

*2. Reduced to 4.0 mW/°C at T_A = 75°C or more.

*3 AC voltage for 1 minute at T_A = 25°C, RH = 60% between input and output.

Pins 1-2 shorted together, 3-5 shorted together.

RECOMMENDED OPERATING CONDITIONS

Parameter	Symbol	MIN.	TYP.	MAX.	Unit
Low Level Input Voltage	V _{FL}	-2		0.8	V
High Level Input Current	I _{FH}	3.8	6.0	7.5	mA
Supply Voltage	V _{CC}	2.7	3.3	3.6	V
		4.5	5.0	5.5	
TTL (R _L = 1 kΩ, loads)	N			5	
Pull-up Resistor	R _L	330		4 k	Ω

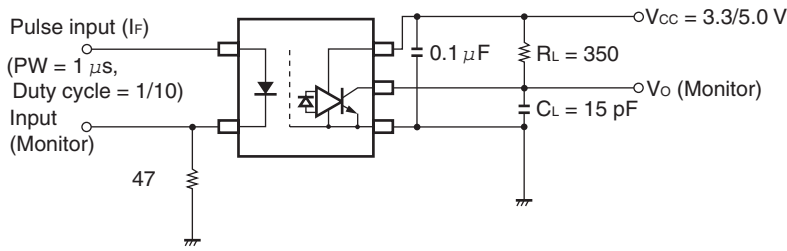
ELECTRICAL CHARACTERISTICS ($T_A = -40$ to $+110^\circ\text{C}$, unless otherwise specified)

Parameter		Symbol	Conditions	MIN.	TYP. ^{*1}	MAX.	Unit
Diode	Forward Voltage	V_F	$I_F = 10 \text{ mA}$, $T_A = 25^\circ\text{C}$	1.3	1.55	1.8	V
	Reverse Current	I_R	$V_R = 3 \text{ V}$, $T_A = 25^\circ\text{C}$			10	μA
	Terminal Capacitance	C_t	$f = 1 \text{ MHz}$, $V_F = 0 \text{ V}$, $T_A = 25^\circ\text{C}$		30		pF
Detector	High Level Output Current	I_{OH}	$V_{CC} = V_O = 3.3 \text{ V}$, $V_F = 0.8 \text{ V}$		1	80	μA
			$V_{CC} = V_O = 5.5 \text{ V}$, $V_F = 0.8 \text{ V}$		1	100	
	Low Level Output Voltage	V_{OL}	$V_{CC} = 3.3 \text{ V}$, $I_F = 4.5 \text{ mA}$, $I_{OL} = 13 \text{ mA}$		0.2	0.6	V
			$V_{CC} = 5.5 \text{ V}$, $I_F = 4.5 \text{ mA}$, $I_{OL} = 13 \text{ mA}$				
	High Level Supply Current	I_{CCH}	$V_{CC} = 3.3 \text{ V}$, $I_F = 0 \text{ mA}$, $V_O = \text{open}$		4	7	mA
			$V_{CC} = 5.5 \text{ V}$, $I_F = 0 \text{ mA}$, $V_O = \text{open}$				
Low Level Supply Current	I_{CCL}	$V_{CC} = 3.3 \text{ V}$, $I_F = 4.5 \text{ mA}$, $V_O = \text{open}$		6	10	mA	
		$V_{CC} = 5.5 \text{ V}$, $I_F = 4.5 \text{ mA}$, $V_O = \text{open}$		7	10		
Coupled	Threshold Input Voltage (H \rightarrow L)	I_{FHL}	$V_{CC} = 3.3 \text{ V}$, $R_L = 350 \Omega$, $V_O = 0.8 \text{ V}$		1.0	3.0	mA
			$V_{CC} = 5 \text{ V}$, $R_L = 350 \Omega$, $V_O = 0.8 \text{ V}$				
	Isolation Resistance	R_{I-O}	$V_{I-O} = 1 \text{ kV}_{DC}$, $R_H = 40$ to 60% , $T_A = 25^\circ\text{C}$	10^{11}			Ω
	Isolation Capacitance	C_{I-O}	$V = 0 \text{ V}$, $f = 1 \text{ MHz}$, $T_A = 25^\circ\text{C}$		0.6		pF
	Propagation Delay Time (H \rightarrow L) ^{*2}	t_{PHL}	$T_A = 25^\circ\text{C}$		40	75	ns
			$V_{CC} = 3.3 \text{ V}$, $I_F = 4.5 \text{ mA}$, $R_L = 350 \Omega$, $C_L = 15 \text{ pF}$			100	
			$T_A = 25^\circ\text{C}$		40	75	
	Propagation Delay Time (L \rightarrow H) ^{*2}	t_{PLH}	$T_A = 25^\circ\text{C}$		50	75	ns
			$V_{CC} = 3.3 \text{ V}$, $I_F = 4.5 \text{ mA}$, $R_L = 350 \Omega$, $C_L = 15 \text{ pF}$			100	
			$T_A = 25^\circ\text{C}$		45	75	
	Pulse Width Distortion (PWD)	$ t_{PHL} - t_{PLH} $	$V_{CC} = 3.3/5 \text{ V}$, $I_F = 4.5 \text{ mA}$, $R_L = 350 \Omega$, $C_L = 15 \text{ pF}$		5	35	ns
	Propagation Delay Skew	t_{psk}	$V_{CC} = 3.3/5 \text{ V}$, $I_F = 4.5 \text{ mA}$, $R_L = 350 \Omega$, $C_L = 15 \text{ pF}$			40	ns
Rise Time	t_r	$V_{CC} = 3.3/5 \text{ V}$, $I_F = 4.5 \text{ mA}$, $R_L = 350 \Omega$, $C_L = 15 \text{ pF}$		20		ns	
Fall Time	t_f	$V_{CC} = 3.3/5 \text{ V}$, $I_F = 4.5 \text{ mA}$, $R_L = 350 \Omega$, $C_L = 15 \text{ pF}$		5		ns	
Common Mode Transient Immunity at High Level Output ^{*3}	CM_H	$V_{CC} = 3.3/5 \text{ V}$, $T_A = 25^\circ\text{C}$, $I_F = 0 \text{ mA}$, $V_O > 2 \text{ V}$, $R_L = 350 \Omega$, $V_{CM} = 1 \text{ kV}$		10	15	$\text{kV}/\mu\text{s}$	
Common Mode Transient Immunity at Low Level Output ^{*3}	CM_L	$V_{CC} = 3.3/5 \text{ V}$, $T_A = 25^\circ\text{C}$, $I_F = 4.5 \text{ mA}$, $V_O < 0.8 \text{ V}$, $R_L = 350 \Omega$, $V_{CM} = 1 \text{ kV}$		10	15	$\text{kV}/\mu\text{s}$	

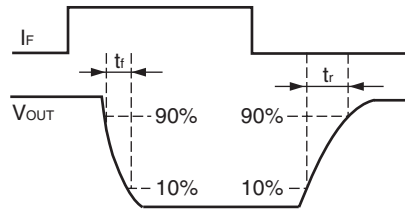
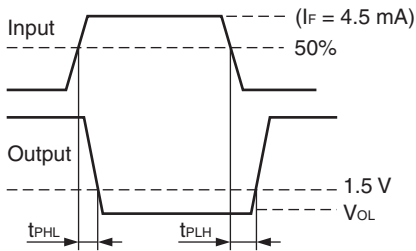
PS9124

Notes: *1. Typical values at $T_A = 25^\circ\text{C}$

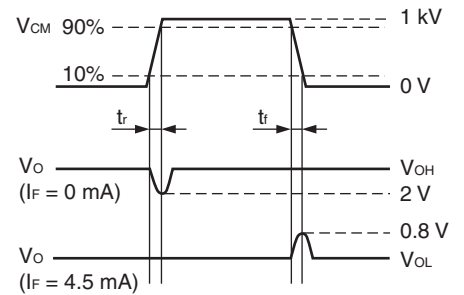
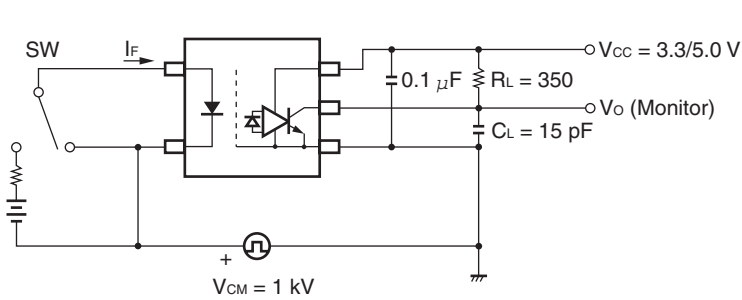
<R> *2. Test circuit for propagation delay time



Remark C_L includes probe and stray wiring capacitance.



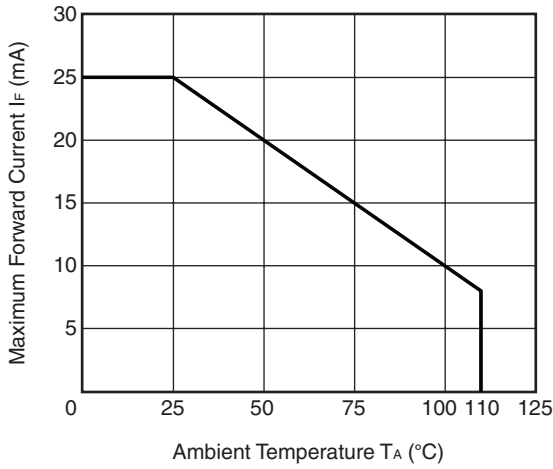
*3. Test circuit for common mode transient immunity



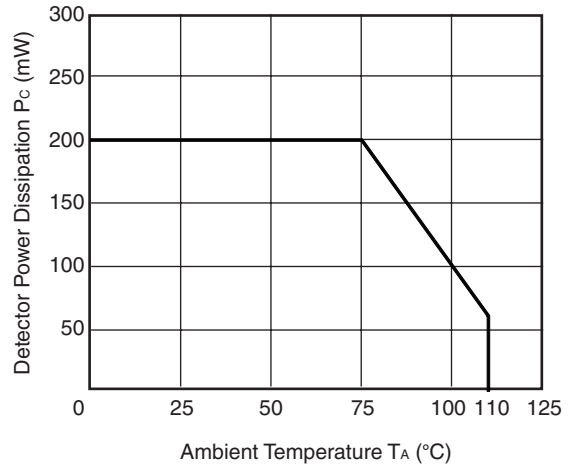
Remark C_L includes probe and stray wiring capacitance.

<R> **TYPICAL CHARACTERISTICS (TA = 25°C, unless otherwise specified)**

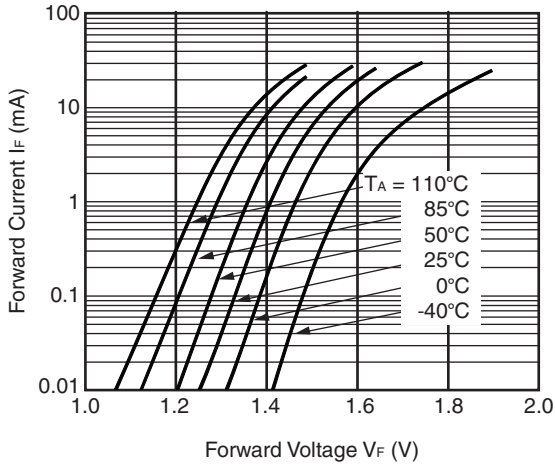
MAXIMUM FORWARD CURRENT vs. AMBIENT TEMPERATURE



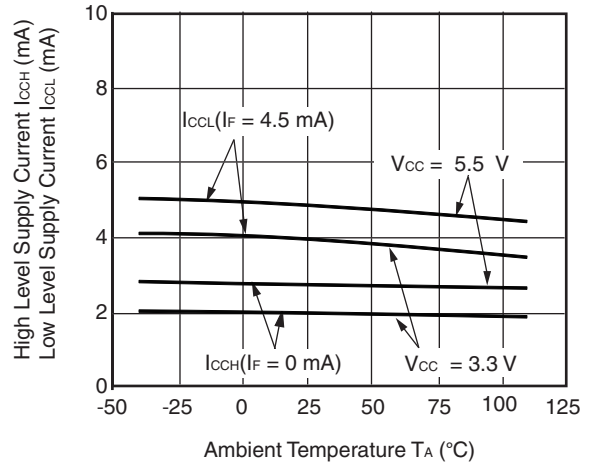
DETECTOR POWER DISSIPATION vs. AMBIENT TEMPERATURE



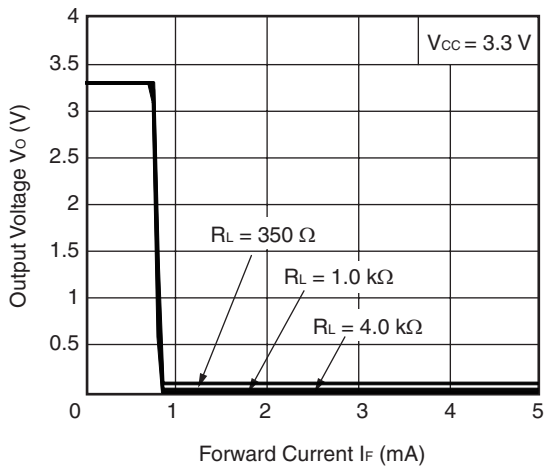
FORWARD CURRENT vs. FORWARD VOLTAGE



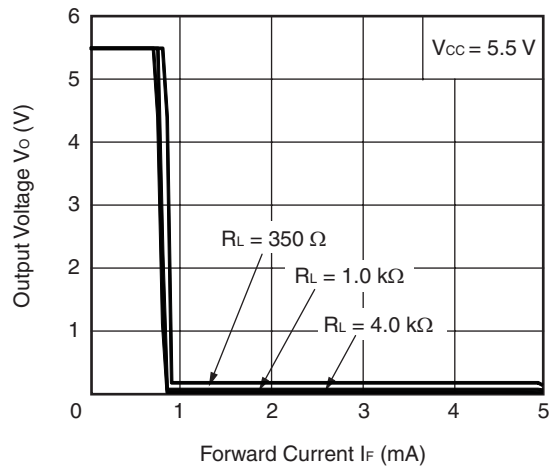
SUPPLY CURRENT vs. AMBIENT TEMPERATURE



OUTPUT VOLTAGE vs. FORWARD CURRENT

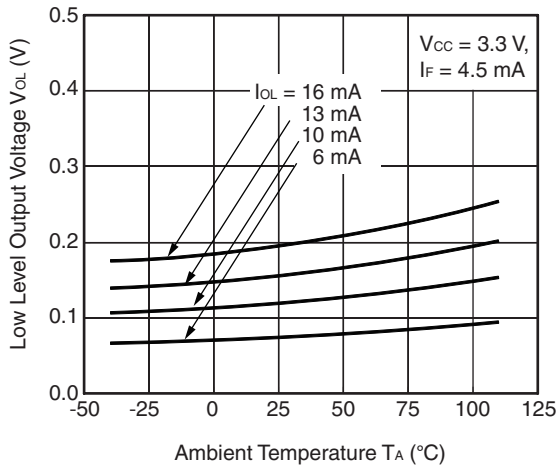


OUTPUT VOLTAGE vs. FORWARD CURRENT

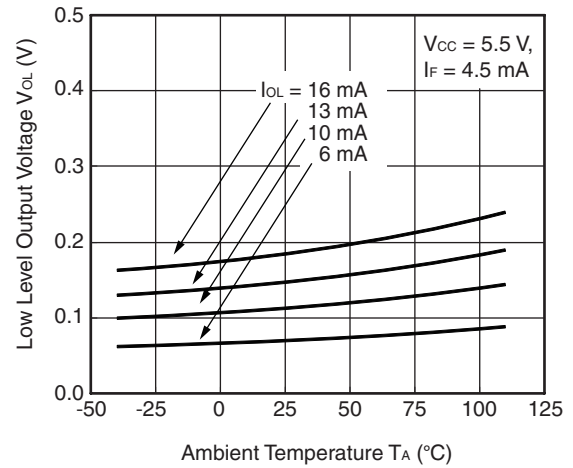


Remark The graphs indicate nominal characteristics.

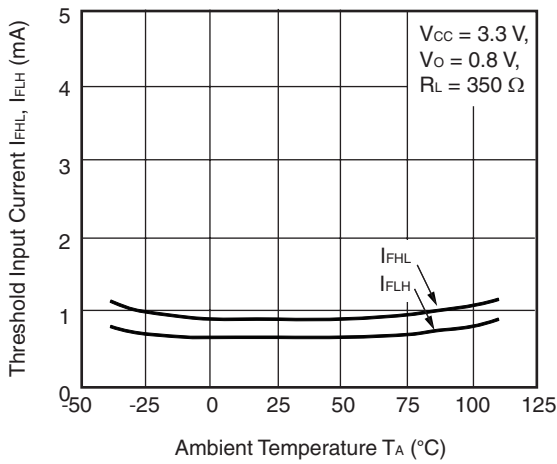
LOW LEVEL OUTPUT VOLTAGE vs. AMBIENT TEMPERATURE



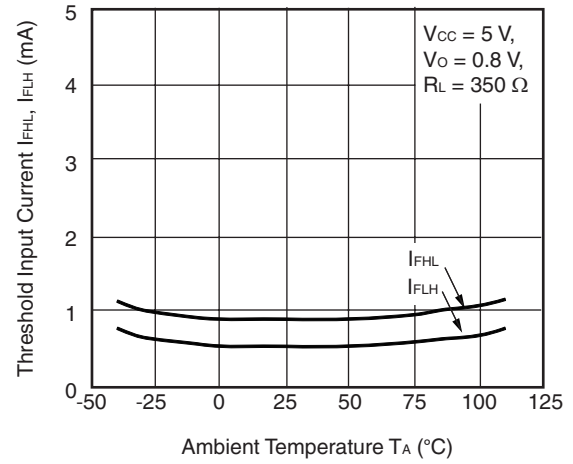
LOW LEVEL OUTPUT VOLTAGE vs. AMBIENT TEMPERATURE



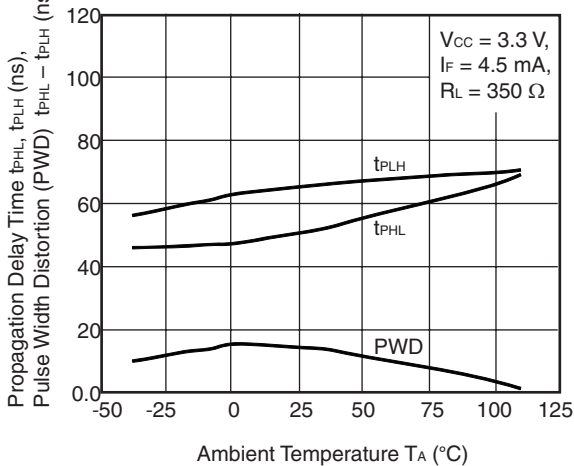
THRESHOLD INPUT CURRENT vs. AMBIENT TEMPERATURE



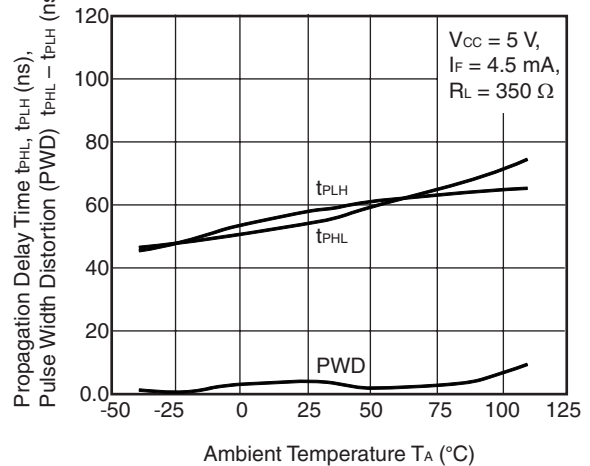
THRESHOLD INPUT CURRENT vs. AMBIENT TEMPERATURE



PROPAGATION DELAY TIME, PULSE WIDTH DISTORTION vs. AMBIENT TEMPERATURE

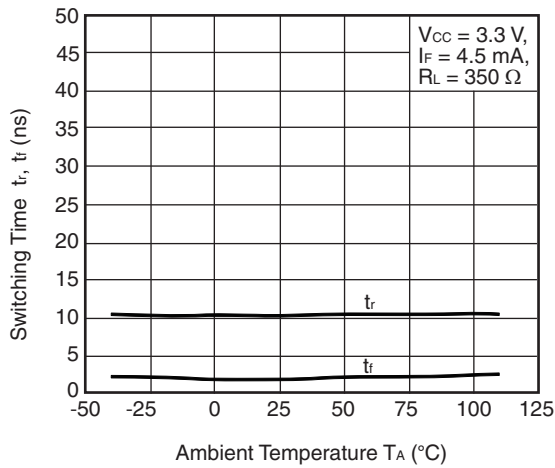


PROPAGATION DELAY TIME, PULSE WIDTH DISTORTION vs. AMBIENT TEMPERATURE

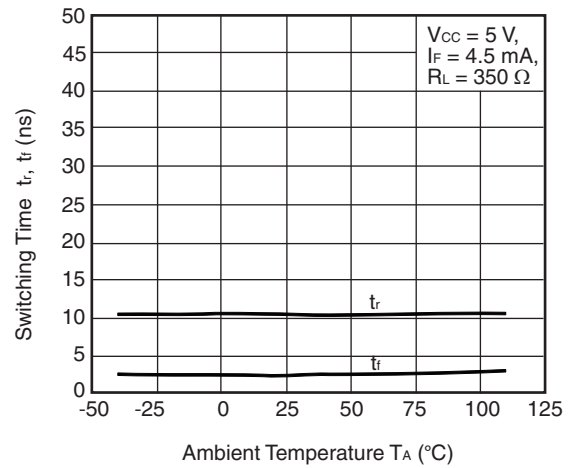


Remark The graphs indicate nominal characteristics.

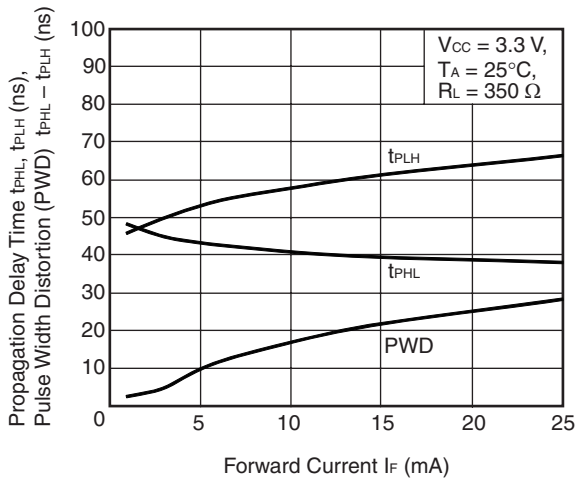
SWITCHING TIME vs.
AMBIENT TEMPERATURE



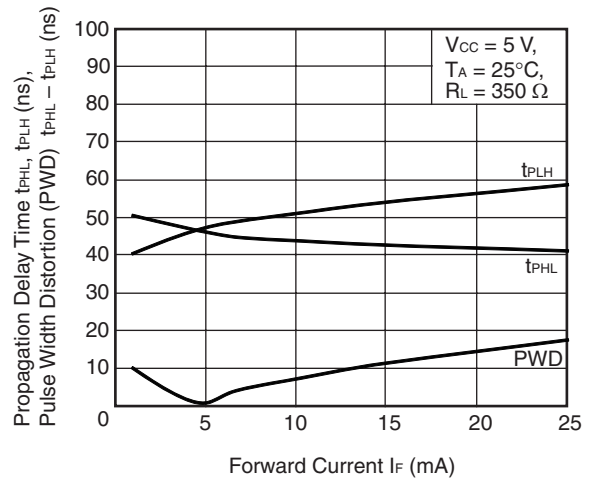
SWITCHING TIME vs.
AMBIENT TEMPERATURE



PROPAGATION DELAY TIME,
PULSE WIDTH DISTORTION
vs. FORWARD CURRENT



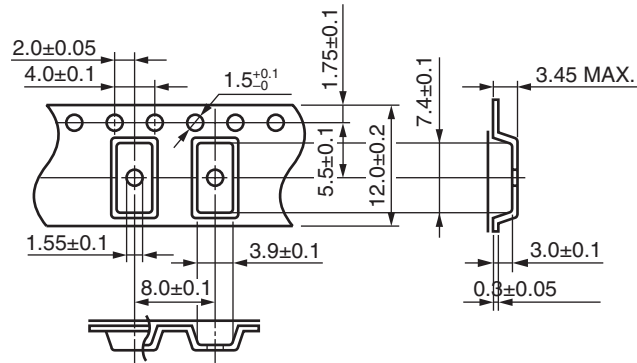
PROPAGATION DELAY TIME,
PULSE WIDTH DISTORTION
vs. FORWARD CURRENT



Remark The graphs indicate nominal characteristics.

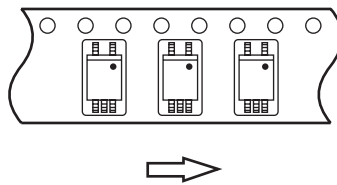
<R> **TAPING SPECIFICATIONS (UNIT: mm)**

Outline and Dimensions (Tape)

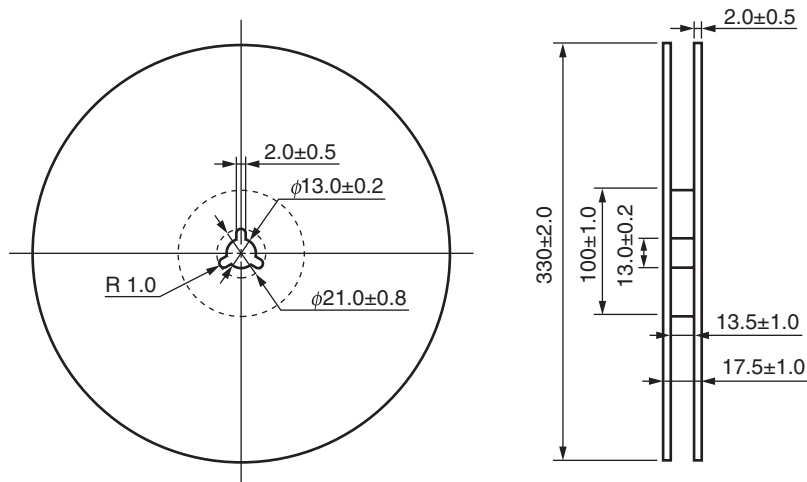


Tape Direction

PS9124-F3

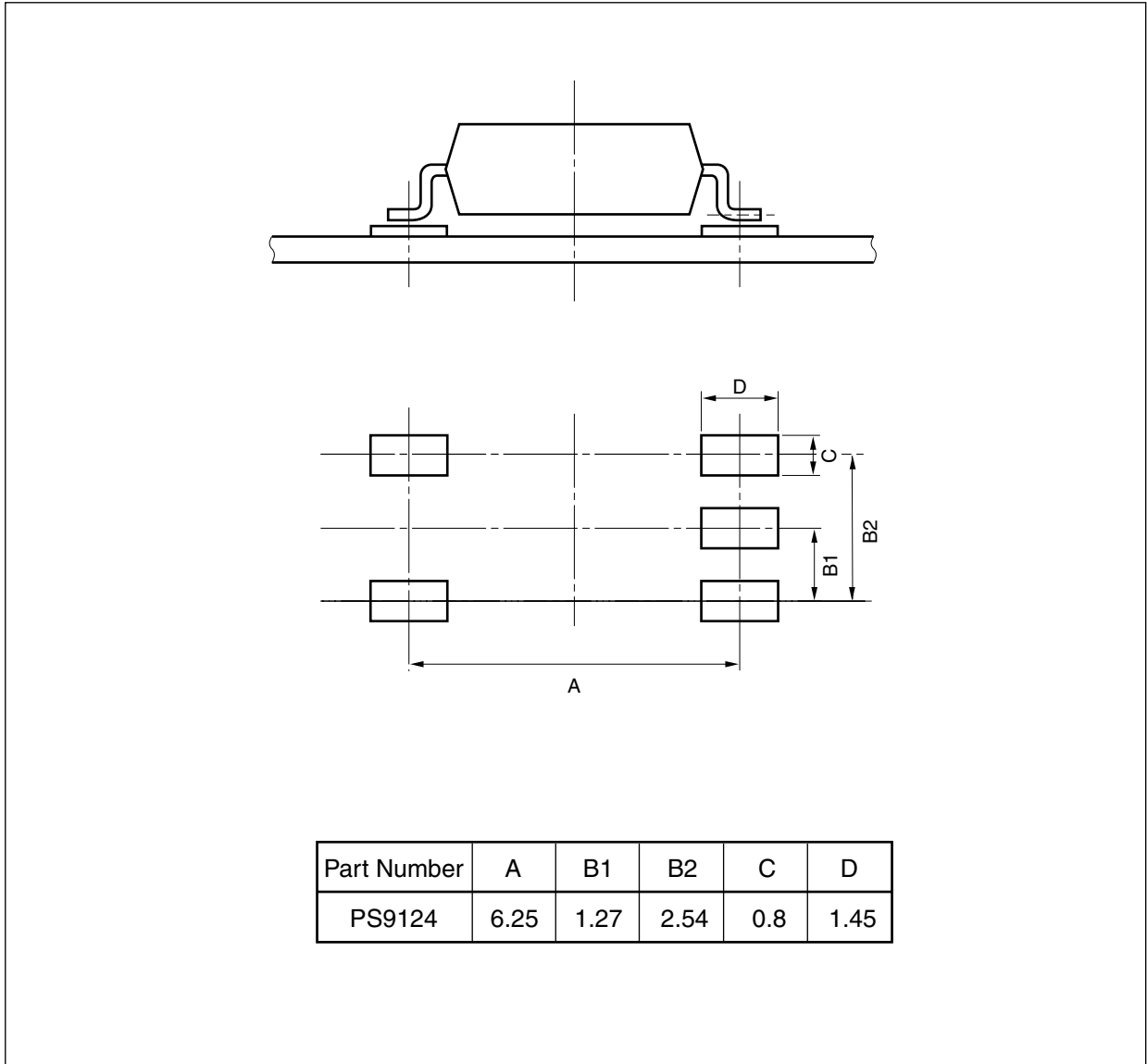


Outline and Dimensions (Reel)



Packing: 2 500 pcs/reel

RECOMMENDED MOUNT PAD DIMENSIONS (UNIT: mm)



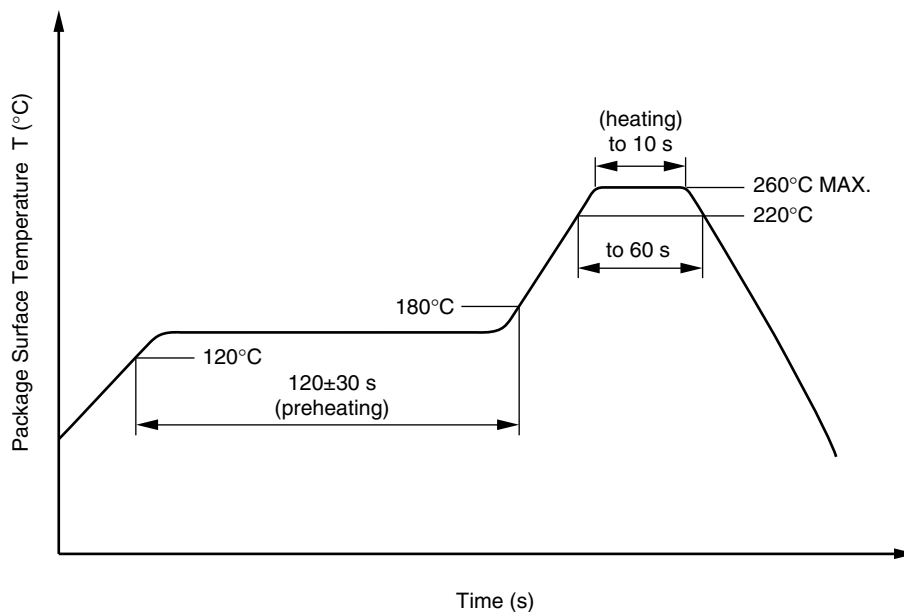
<R> NOTES ON HANDLING

1. Recommended soldering conditions

(1) Infrared reflow soldering

- Peak reflow temperature 260°C or below (package surface temperature)
- Time of peak reflow temperature 10 seconds or less
- Time of temperature higher than 220°C 60 seconds or less
- Time to preheat temperature from 120 to 180°C 120±30 s
- Number of reflows Three
- Flux Rosin flux containing small amount of chlorine (The flux with a maximum chlorine content of 0.2 Wt% is recommended.)

Recommended Temperature Profile of Infrared Reflow



(2) Wave soldering

- Temperature 260°C or below (molten solder temperature)
- Time 10 seconds or less
- Preheating conditions 120°C or below (package surface temperature)
- Number of times One (Allowed to be dipped in solder including plastic mold portion.)
- Flux Rosin flux containing small amount of chlorine (The flux with a maximum chlorine content of 0.2 Wt% is recommended.)

(3) Soldering by Soldering Iron

- Peak Temperature (lead part temperature) 350°C or below
- Time (each pins) 3 seconds or less
- Flux Rosin flux containing small amount of chlorine (The flux with a maximum chlorine content of 0.2 Wt% is recommended.)

(a) Soldering of leads should be made at the point 1.5 to 2.0 mm from the root of the lead

(4) Cautions

- Fluxes Avoid removing the residual flux with freon-based and chlorine-based cleaning solvent.

2. Cautions regarding noise

Be aware that when voltage is applied suddenly between the photocoupler's input and output at startup, the output transistor may enter the on state, even if the voltage is within the absolute maximum ratings.

USAGE CAUTIONS

1. This product is weak for static electricity by designed with high-speed integrated circuit so protect against static electricity when handling.
2. By-pass capacitor of more than 0.1 μ F is used between V_{CC} and GND near device. Also, ensure that the distance between the leads of the photocoupler and capacitor is no more than 10 mm.
3. Avoid storage at a high temperature and high humidity.

<R> SPECIFICATION OF VDE MARKS LICENSE DOCUMENT

Parameter	Symbol	Spec.	Unit
Maximum repetitive peak operating isolation voltage	U_{IORM}	707	V_{peak}
Partial discharge test voltage at 100% production test $U_{pr} = 1.875 \times U_{IORM}$, Method b, $t_m=1sec$, $p_d < 5 pC$	U_{pr}	1 326	V_{peak}
Partial discharge test voltage at Type test and Sample test $U_{pr} = 1.6 \times U_{IORM}$, Method a, $t_m=10sec$, $p_d < 5 pC$	U_{pr}	1 131	V_{peak}
Maximum transient isolation voltage (Transient overvoltage $t_{ini}=60sec$)	U_{IOTM}	6 000	V_{peak}
Installation classification (IEC 60664/ DIN EN 60664-1/ VDE0110 Part 1) for rated mains voltage ≤ 300 Vr.m.s. for rated mains voltage ≤ 600 Vr.m.s.		I - IV I - III	
Comparative tracking index (IEC 60112/ DIN EN 60112/ VDE 0303 Part 11)	CTI	175	
Material group (DIN EN 60664-1/ VDE0110 Part 1)		III a	
Pollution degree (DIN EN 60664-1/ VDE0110 Part 1)		2	
Climatic category (IEC 60068-1/ DIN EN 60068-1)		40/110/21	
Operating temperature range	T_A	-40 to +110	$^{\circ}C$
Storage temperature range	T_{stg}	-55 to +125	$^{\circ}C$
Isolation resistance, minimum value $V_{IO} = 500$ Vdc at $T_A=25^{\circ}C$ $V_{IO} = 500$ Vdc at T_A MAX. at least $100^{\circ}C$	Ris MIN. Ris MIN.	10^{12} 10^{11}	Ω Ω
Safety limiting values ratings (maximum allowable in the event of a fault or a failure, see thermal derating curve)			
Maximum ambient safety temperature	T_s	150	$^{\circ}C$
Maximum input current	I_{si}	200	mA
Maximum output power	P_{so}	300	mW
Isolation resistance at $V_{IO}= 500$ Vdc, $T_A=T_s$	Ris MIN.	10^9	Ω

Caution	GaAs Products	<p>This product uses gallium arsenide (GaAs). GaAs vapor and powder are hazardous to human health if inhaled or ingested, so please observe the following points.</p> <ul style="list-style-type: none">• Follow related laws and ordinances when disposing of the product. If there are no applicable laws and/or ordinances, dispose of the product as recommended below.<ol style="list-style-type: none">1. Commission a disposal company able to (with a license to) collect, transport and dispose of materials that contain arsenic and other such industrial waste materials.2. Exclude the product from general industrial waste and household garbage, and ensure that the product is controlled (as industrial waste subject to special control) up until final disposal.• Do not burn, destroy, cut, crush, or chemically dissolve the product.• Do not lick the product or in any way allow it to enter the mouth.
----------------	---------------	--

Revision History	PS9124 Data Sheet
-------------------------	--------------------------

Rev.	Date	Description	
		Page	Summary
0.01	Jul 03, 2012	–	First edition issued
1.00	Aug 30, 2013	Throughout	“Preliminary Data Sheet” is changed to “Data Sheet.”
		p.1	Modification of FEATURES
			Modification of APPLICATIONS
		p.6	Modification of Test circuit for propagation delay time
		p.7 to 9	Addition of TYPICAL CHARACTERISTICS
		p.10	Modification of TAPING SPECIFICATIONS
		p.12	Addition of NOTES ON HANDLING
p.14	Addition of SPECIFICATION OF VDE MARKS LICENSE DOCUMENT		

All trademarks and registered trademarks are the property of their respective owners.

Notice

1. Descriptions of circuits, software and other related information in this document are provided only to illustrate the operation of semiconductor products and application examples. You are fully responsible for the incorporation of these circuits, software, and information in the design of your equipment. Renesas Electronics assumes no responsibility for any losses incurred by you or third parties arising from the use of these circuits, software, or information.
2. Renesas Electronics has used reasonable care in preparing the information included in this document, but Renesas Electronics does not warrant that such information is error free. Renesas Electronics assumes no liability whatsoever for any damages incurred by you resulting from errors in or omissions from the information included herein.
3. Renesas Electronics does not assume any liability for infringement of patents, copyrights, or other intellectual property rights of third parties by or arising from the use of Renesas Electronics products or technical information described in this document. No license, express, implied or otherwise, is granted hereby under any patents, copyrights or other intellectual property rights of Renesas Electronics or others.
4. You should not alter, modify, copy, or otherwise misappropriate any Renesas Electronics product, whether in whole or in part. Renesas Electronics assumes no responsibility for any losses incurred by you or third parties arising from such alteration, modification, copy or otherwise misappropriation of Renesas Electronics product.
5. Renesas Electronics products are classified according to the following two quality grades: "Standard" and "High Quality". The recommended applications for each Renesas Electronics product depends on the product's quality grade, as indicated below.
"Standard": Computers; office equipment; communications equipment; test and measurement equipment; audio and visual equipment; home electronic appliances; machine tools; personal electronic equipment; and industrial robots etc.
"High Quality": Transportation equipment (automobiles, trains, ships, etc.); traffic control systems; anti-disaster systems; anti-crime systems; and safety equipment etc.
Renesas Electronics products are neither intended nor authorized for use in products or systems that may pose a direct threat to human life or bodily injury (artificial life support devices or systems, surgical implantations etc.), or may cause serious property damages (nuclear reactor control systems, military equipment etc.). You must check the quality grade of each Renesas Electronics product before using it in a particular application. You may not use any Renesas Electronics product for any application for which it is not intended. Renesas Electronics shall not be in any way liable for any damages or losses incurred by you or third parties arising from the use of any Renesas Electronics product for which the product is not intended by Renesas Electronics.
6. You should use the Renesas Electronics products described in this document within the range specified by Renesas Electronics, especially with respect to the maximum rating, operating supply voltage range, movement power voltage range, heat radiation characteristics, installation and other product characteristics. Renesas Electronics shall have no liability for malfunctions or damages arising out of the use of Renesas Electronics products beyond such specified ranges.
7. Although Renesas Electronics endeavors to improve the quality and reliability of its products, semiconductor products have specific characteristics such as the occurrence of failure at a certain rate and malfunctions under certain use conditions. Further, Renesas Electronics products are not subject to radiation resistance design. Please be sure to implement safety measures to guard them against the possibility of physical injury, and injury or damage caused by fire in the event of the failure of a Renesas Electronics product, such as safety design for hardware and software including but not limited to redundancy, fire control and malfunction prevention, appropriate treatment for aging degradation or any other appropriate measures. Because the evaluation of microcomputer software alone is very difficult, please evaluate the safety of the final products or systems manufactured by you.
8. Please contact a Renesas Electronics sales office for details as to environmental matters such as the environmental compatibility of each Renesas Electronics product. Please use Renesas Electronics products in compliance with all applicable laws and regulations that regulate the inclusion or use of controlled substances, including without limitation, the EU RoHS Directive. Renesas Electronics assumes no liability for damages or losses occurring as a result of your noncompliance with applicable laws and regulations.
9. Renesas Electronics products and technology may not be used for or incorporated into any products or systems whose manufacture, use, or sale is prohibited under any applicable domestic or foreign laws or regulations. You should not use Renesas Electronics products or technology described in this document for any purpose relating to military applications or use by the military, including but not limited to the development of weapons of mass destruction. When exporting the Renesas Electronics products or technology described in this document, you should comply with the applicable export control laws and regulations and follow the procedures required by such laws and regulations.
10. It is the responsibility of the buyer or distributor of Renesas Electronics products, who distributes, disposes of, or otherwise places the product with a third party, to notify such third party in advance of the contents and conditions set forth in this document, Renesas Electronics assumes no responsibility for any losses incurred by you or third parties as a result of unauthorized use of Renesas Electronics products.
11. This document may not be reproduced or duplicated in any form, in whole or in part, without prior written consent of Renesas Electronics.
12. Please contact a Renesas Electronics sales office if you have any questions regarding the information contained in this document or Renesas Electronics products, or if you have any other inquiries.
(Note 1) "Renesas Electronics" as used in this document means Renesas Electronics Corporation and also includes its majority-owned subsidiaries.
(Note 2) "Renesas Electronics product(s)" means any product developed or manufactured by or for Renesas Electronics.



SALES OFFICES

Renesas Electronics Corporation

<http://www.renesas.com>

Refer to "<http://www.renesas.com/>" for the latest and detailed information.

California Eastern Laboratories, Inc.
4590 Patrick Henry Drive, Santa Clara, California 95054, U.S.A.
Tel: +1-408-919-2500, Fax: +1-408-988-0279

Renesas Electronics Europe Limited
Dukes Meadow, Millboard Road, Bourne End, Buckinghamshire, SL8 5FH, U.K
Tel: +44-1628-651-700, Fax: +44-1628-651-804

Renesas Electronics Europe GmbH
Arcadiastrasse 10, 40472 Düsseldorf, Germany
Tel: +49-211-65030, Fax: +49-211-6503-1327

Renesas Electronics (China) Co., Ltd.
7th Floor, Quantum Plaza, No.27 ZhiChunLu Haidian District, Beijing 100083, P.R.China
Tel: +86-10-8235-1155, Fax: +86-10-8235-7679

Renesas Electronics (Shanghai) Co., Ltd.
Unit 204, 205, AZIA Center, No.1233 Lujiazui Ring Rd., Pudong District, Shanghai 200120, China
Tel: +86-21-5877-1818, Fax: +86-21-6887-7858 / -7898

Renesas Electronics Hong Kong Limited
Unit 1601-1613, 16/F., Tower 2, Grand Century Place, 193 Prince Edward Road West, Mongkok, Kowloon, Hong Kong
Tel: +852-2886-9318, Fax: +852 2886-9022/9044

Renesas Electronics Taiwan Co., Ltd.
13F, No. 363, Fu Shing North Road, Taipei, Taiwan
Tel: +886-2-8175-9600, Fax: +886 2-8175-9670

Renesas Electronics Singapore Pte. Ltd.
80 Bendemeer Road, Unit #06-02 Hyflux Innovation Centre Singapore 339949
Tel: +65-6213-0200, Fax: +65-6213-0300

Renesas Electronics Malaysia Sdn.Bhd.
Unit 906, Block B, Menara Amcorp, Amcorp Trade Centre, No. 18, Jln Persiaran Barat, 46050 Petaling Jaya, Selangor Darul Ehsan, Malaysia
Tel: +60-3-7955-9390, Fax: +60-3-7955-9510

Renesas Electronics Korea Co., Ltd.
11F., Samik Lavied' or Bldg., 720-2 Yeoksam-Dong, Kangnam-Ku, Seoul 135-080, Korea
Tel: +82-2-558-3737, Fax: +82-2-558-5141