

# CSBFB800KJ58-R1

To be discontinued

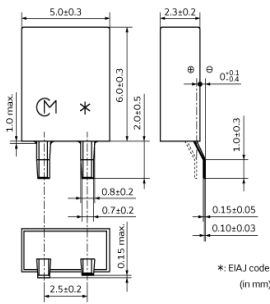
RoHS

REACH

< List of part numbers with package codes >

CSBFB800KJ58-R1

## Appearance & Shape



## Features

MURATA's original package technologies have enabled the development of the kHz band CERALOCK(R). The series is perfect in miniature remote control units and AV modules. CERALOCK(R) can be reflow soldered and mounted by automatic placement equipment.

### Features

1. Withstands reflow soldering.
2. Compatible with automatic placement equipment.
3. No adjustment is necessary for oscillation circuits.

## Applications

Other Usage	Consumer/Industrial
-------------	---------------------

## Packaging Information

Packaging	Specifications	Minimum Order Quantity
-R1	330mm Embossed Tape	3000

### Attention

1. This datasheet is downloaded from the website of Murata Manufacturing Co., Ltd. Therefore, its specifications are subject to change or our products may be discontinued without advance notice. Please check with our sales representatives or product engineers before ordering.  
 2. This datasheet has only typical specifications because there is no space for detailed specifications.  
 Therefore, please review our product specifications or consult the approval sheet for product specifications before ordering.

# CSBFB800KJ58-R1

## Specifications

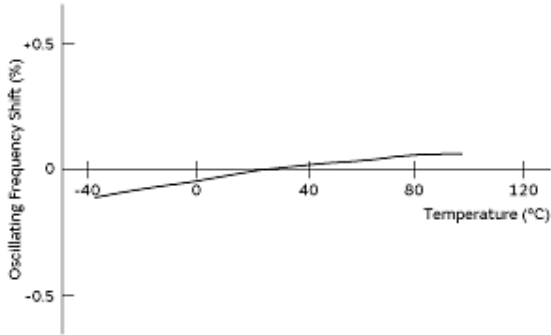
Shape	SMD
Frequency	800.0kHz
Frequency Tolerance	±0.5%
Operating Temperature Range	-20°C to 80°C
Frequency Shift by Temperature	±0.3%
Frequency Aging	±0.3%
Wash	available
Resonant Impedance	60Ω

**Attention**

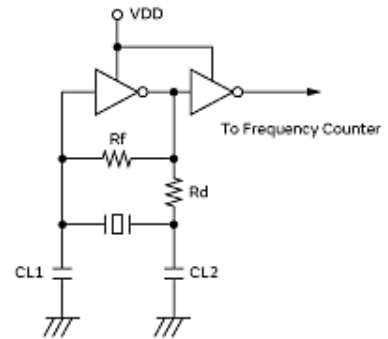
1.This datasheet is downloaded from the website of Murata Manufacturing Co., Ltd. Therefore, it's specifications are subject to change or our products may be discontinued without advance notice. Please check with our sales representatives or product engineers before ordering.  
2.This datasheet has only typical specifications because there is no space for detailed specifications.  
Therefore, please review our product specifications or consult the approval sheet for product specifications before ordering.

# CSBFB800KJ58-R1

## Product Data



Temperature Characteristics



Measurement Circuit

**Attention**

1. This datasheet is downloaded from the website of Murata Manufacturing Co., Ltd. Therefore, its specifications are subject to change or our products may be discontinued without advance notice. Please check with our sales representatives or product engineers before ordering.  
 2. This datasheet has only typical specifications because there is no space for detailed specifications.  
 Therefore, please review our product specifications or consult the approval sheet for product specifications before ordering.