

14FF- 1Z- C3-1/2/3

RELAY SOCKET



CE

cULus
File No.:E253370

Screw terminal,
DIN rail / Screw mounted,
with finger protection device

CHARACTERISTICS

Ambient temperature :	-40 °C to 70°C
Rated voltage:	300VAC
Rated current :	12A (per pole)
Insulation voltage (Min.) :	5000VAC
Protection degree DIN40050 :	IP20
Socket material :	PA66+GF V0 (UL)
Contacts spring material :	QSn6.5-0.1
Plastic retainer :	available
White plastic tag :	available
Modules (on request) :	HFAA to HFHU module available
Terminal torque :	0.6Nm
Wire strip length :	7mm

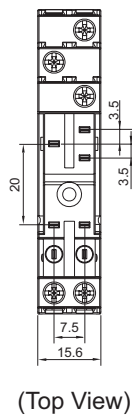
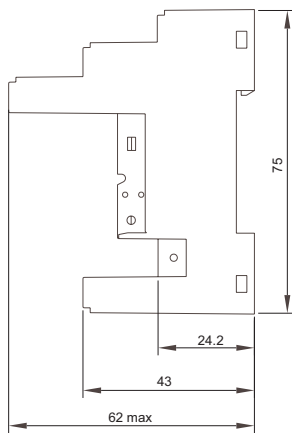
Applicable relay type:

- 1: suit for HF115F(JQX-115F) series (1 pole) (Relay height 15.7mm).
- 2: suit for HF141FF(JQX-141FF) (Relay height 20.6mm).
- 3: suit for HF14FF(JQX-14FF) (Relay height 25.5mm).

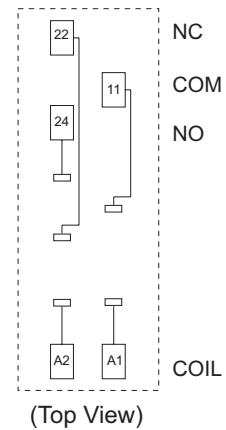
DIMENSIONS, PC BOARD LAYOUT AND WIRING DIAGRAM

Unit: mm

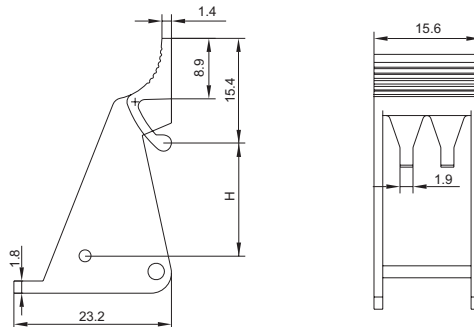
Outline Dimensions



Wiring Diagram



Retainer Dimensions



Three types of H:

H1=16mm (for -1 type)

H2=21mm (for -2 type)

H3=26mm (for -3 type)

You can choose the type you need.



HONGFA RELAY

ISO9001、ISO/TS16949、ISO14001、OHSAS18001 CERTIFIED

2007 Rev. 1.00