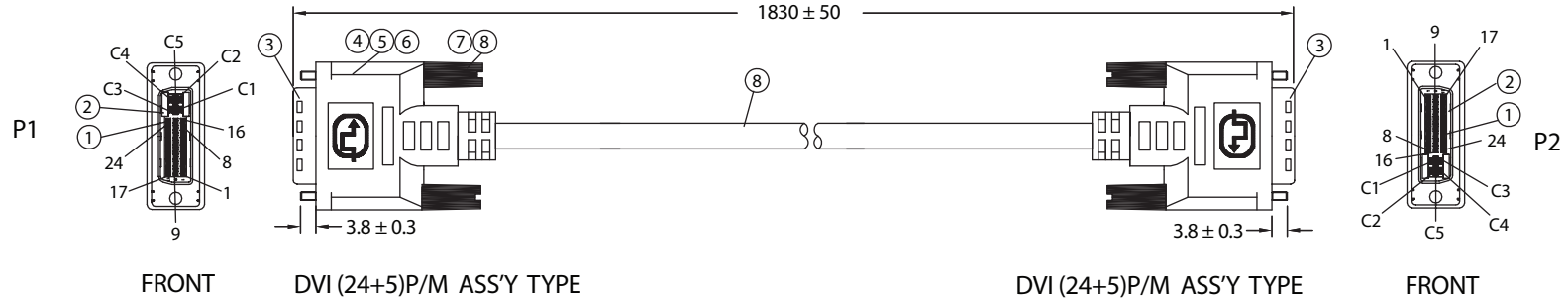
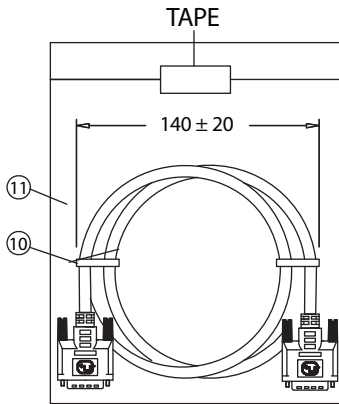


REVISION			
REV.	DESCRIPTION	DATE	APPROVED



PIN OUT

P1	P2	P1	P2	P1	P2
1	WHITE	1	6	WHITE	6
2	ORANGE	2	7	YELLOW	7
3	DRAIN	3	17	WHITE	17
	DRAIN		18	YELLOW	18
4	WHITE	4	19	DRAIN	19
5	BROWN	5		DRAIN	
			20	WHITE	20
9	WHITE	9	21	GREEN	21
10	BLACK	10			
11	DRAIN	11	22	DRAIN	22
	DRAIN		23	WHITE	23
12	WHITE	12	24	RED	24
13	BLUE	13			
				C1	RED
				C5	
				C2	GREEN
				C5	
				C3	BLUE
				C5	
				C4	YELLOW
				8	BLUE
				14	RED
				15	BLACK
				16	BROWN
				SHELL	BRAID
					SHELL

- NOTES:**
- CABLE: UL20276
 [(28AWGx1P+DW+FOIL)x7+(28AWG+SP+FOIL)x3+28AWGx5C+28AWGx1P+MYLAR+FOIL+BD]x1
 OUTER JACKET COLOR: BEIGE, OD: 9.5 ± 0.3mm
 PRINTING: "E166307 AWM 20276 28AWG 80°C 30V VW-1
 LOW VOLTAGE COMPUTER CABLE"
 - CONNECTORS: DVI (24+5)P/M - DVI (24+5)P/M
 - HOOD: ASS'Y TYPE, COLOR: BEIGE
 - CABLE ELECTRICAL TEST:
 <1>.100% OPEN SHORT & MISS WIRE TEST
 <2>.INSULATION RESISTANCE: DC400V 10M ohm MIN.
 <3>.CONDUCTOR RESISTANCE: 3 ohm MAX.
 - PACKING: 1PC/POLYBAG

No.	PARTS NAME	SPECIFICATION STANDARD	QTY	REMARKS
①	DVI (24+5)P/M - CONTACT	BRONZE/GOLD PLATED SOLDER TYPE	58	
②	DVI (24+5)P/M - INSULATOR	THERMOPLASTIC/BLACK UL94V-0	2	
③	DVI (24+5)P/M - SHELL	NICKEL PLATED	2	
④	DVI (24+5)P/M - CAN	STEEL TIN PLATED	2	
⑤	COPPER FOIL	WIDTH: 15mm	2	
⑥	DVI (24+5)P/M - COVER	45P PVC/COLOR: BEIGE	2	
⑦	THUMB SCREW	#4-40 2.8x45, NICKEL PLATED	4	
⑧	SCREW - MOLD	35P PVC/COLOR: BEIGE	4	
⑨	CABLE DVI 24+5 UL20276	KL03009ABK01A	1	
⑩	MINI TIE	PE/BLACK	2	
⑪	POLYBAG	PE/0.08x180x220mm	1	

Dim range (mm)	Tolerance +/- (mm)	Qualtek Electronics Corp. WCI DIVISION		
		Part Number: 1321020-06 RoHS Compliant		
0-1	0.15	Description: DVI(24+5)P/M - DVI(24+5)P/M		
1-6	0.20			
6-18	0.30			
18-50	0.50			
50-120	0.70	Drawn / Date	Checked / Date	Approved / Date
120-250	0.90	B.Grubb 01-03-07	01-03-07	JJH / 01-03-07
250-500	1.20			