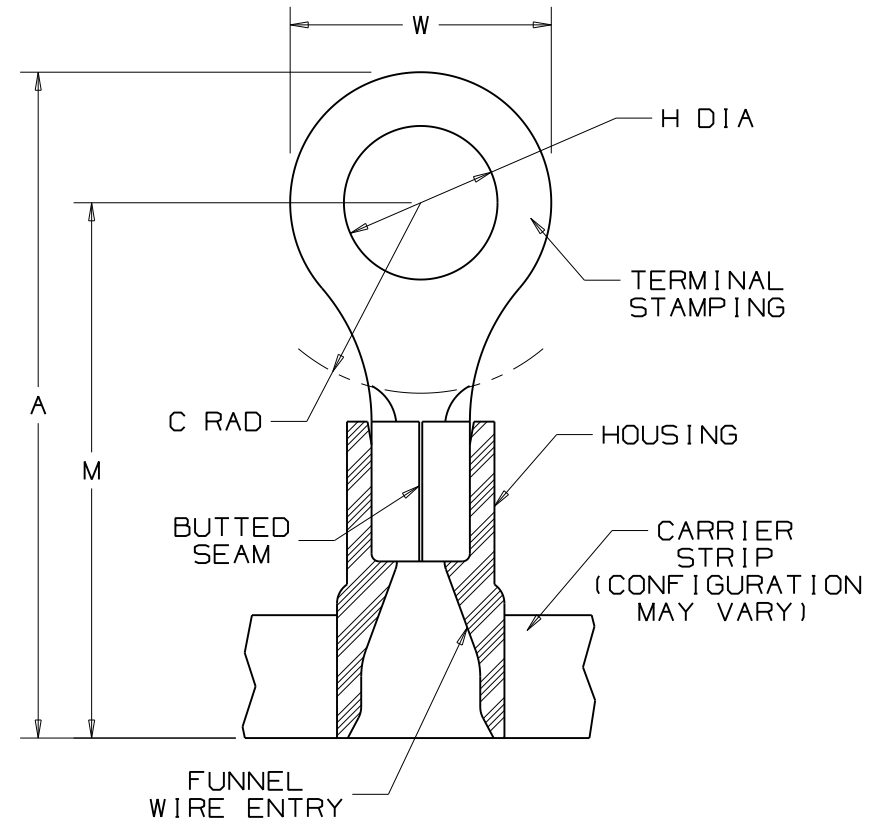


| PANDUIT PART NUMBER | STUD SIZE | DIMENSIONS in.                    |                                   |                                    |                                   |                                   |
|---------------------|-----------|-----------------------------------|-----------------------------------|------------------------------------|-----------------------------------|-----------------------------------|
|                     |           | A <sup>±.03</sup> <sub>(.8)</sub> | W <sup>±.01</sup> <sub>(.3)</sub> | C <sup>±.015</sup> <sub>(.4)</sub> | M <sup>±.03</sup> <sub>(.8)</sub> | H <sup>±.01</sup> <sub>(.3)</sub> |
| PV18-4RNB-3K        | #4        | .74<br>(18.8)                     | .21<br>(5.3)                      | .19<br>(4.8)                       | .63<br>(16.0)                     | .12<br>(3.1)                      |
| PV18-4RB-3K         | #4        | .78<br>(19.8)                     | .25<br>(6.4)                      | .20<br>(5.1)                       | .65<br>(16.5)                     | .12<br>(3.1)                      |
| PV18-6RNB-3K        | #6        | .75<br>(19.1)                     | .23<br>(5.8)                      | .19<br>(4.8)                       | .63<br>(16.0)                     | .15<br>(3.8)                      |
| PV18-6RB-3K         | #6        | .78<br>(19.8)                     | .25<br>(6.4)                      | .20<br>(5.1)                       | .65<br>(16.5)                     | .15<br>(3.8)                      |
| PV18-8RB-3K         | #8        | .86<br>(21.8)                     | .31<br>(7.9)                      | .25<br>(6.4)                       | .70<br>(17.8)                     | .17<br>(4.3)                      |
| PV18-10RB-3K        | #10       | .86<br>(21.8)                     | .31<br>(7.9)                      | .25<br>(6.4)                       | .70<br>(17.8)                     | .20<br>(5.1)                      |
| PV18-14RB-3K        | 1/4"      | 1.06<br>(26.9)                    | .45<br>(11.4)                     | .38<br>(9.6)                       | .83<br>(21.1)                     | .27<br>(6.9)                      |
| PV18-56RB-2K        | 5/16"     | 1.06<br>(26.9)                    | .46<br>(11.68)                    | .38<br>(9.6)                       | .83<br>(21.1)                     | .33<br>(8.38)                     |
| PV18-38RB-2K        | 3/8"      | 1.15<br>(29.2)                    | .53<br>(13.46)                    | .43<br>(10.9)                      | .88<br>(22.4)                     | .39<br>(9.9)                      |

NOTES:

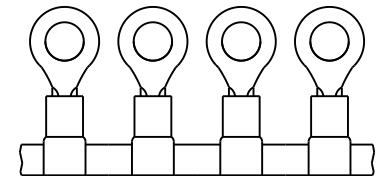
- USED FOR:
  - A. 600V MAX VOLTAGE RATING
  - B. 221°F (105°C) MAX TEMP RATING
  - C. 22-18 AWG (.5-1.0mm<sup>2</sup>) SOLID OR STRANDED COPPER WIRE
- INSTALLATION TOOLS:
  - A. PRESS - CP-871
  - B. APPLICATORS - CA9, CA-800EZ
  - C. DIE INSERTS for #4-1/4 stud - CD9-1A, CD-800-1
  - D. DIE INSERTS for 5/16, 3/8 Stud - CD9-1B, CD-800-1
- WIRE STRIP LENGTH: 1/4 <sup>+1/32</sup> (6.4 <sup>+.8</sup>)
- MAX WIRE INSULATION DIA: .150 (3.81)
- MATERIAL:
  - A. TERMINAL STAMPING: .032 (.81) THICK TIN PLATED COPPER
  - B. HOUSING : RED VINYL
- PACKAGING:
  - 2K = 2000 PCS
  - A. BULK ONLY: -3K = 3000 PCS ON CONTINUOUS MOLDED CARRIER STRIP
- DIMENSIONS IN BRACKETS ARE IN MILLIMETERS OR mm<sup>2</sup>



LISTED  
587H  
E52164



CERTIFIED  
LR31212



A41069\_09

| REV | DATE | BY  | CHK | DESCRIPTION   | ECN # | CUST | PM |
|-----|------|-----|-----|---|-------|------|----|
| 09  | 9/11 | LSM | LSM | Replaced CP851, CP-860, CP-861 presses and CDB00 applicator |       |      |    |

**PANDUIT**

CORP.

TINLEY PARK, ILLINOIS

TERMO 2PC. CONTINUOUSLY MOLDED VINYL INSULATED, #22-18 BARREL, RINGS

|          |       |       |             |
|----------|-------|-------|-------------|
| DRAWN BY | CHK'D | SCALE | DRAWING NO. |
| CLK      | FS    | NONE  | A41069      |