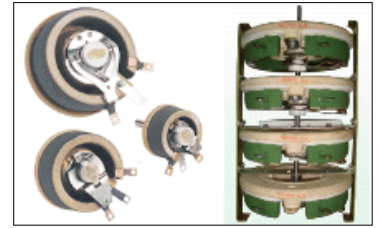


Rheostat Variable Power Resistors

USE :

Widely used in blenders, mixers, fans, power tools, educational modeling, load simulations, industrial machinery RPM adjustment, voltage and current adjustment, instruments, and automated control installations, etc.



GENERAL SPECIFICATIONS

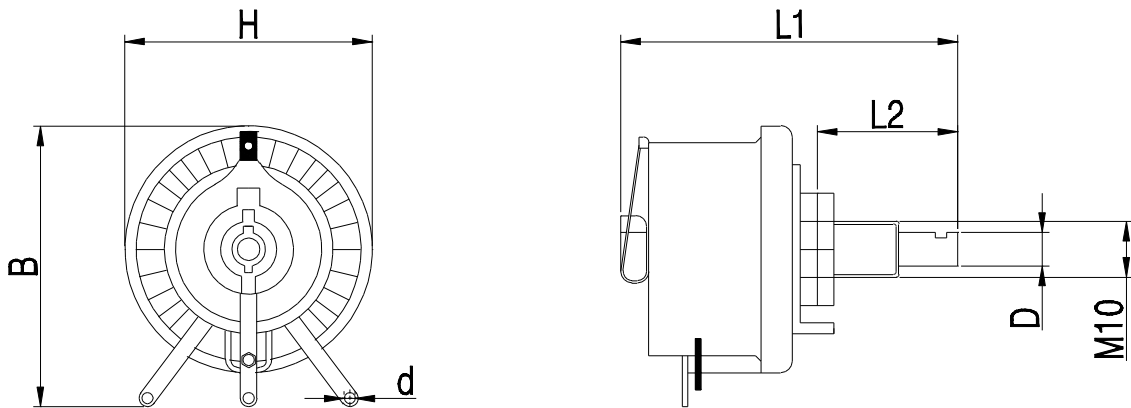
Model	Power Rating[W]	Resistance Range [Ω]	Resistance Tolerance[%]
BC1 series	25-3000	1-10K	$\pm 5, \pm 10$
BC1-N series			
BC1-DZ series			

CHARACTERISTICS

Insulation Resistance	100 M Ω minimum	JIS-C-5261 6-1 500V DC
Dielectric Withstanding Voltage		JIS-C-5261 7-1 1000V DC 60s Between terminal and axis
Vibration	$\Delta R \leq \pm(2\% + 0.1\Omega)$	JIS-C-5261 6-6 1.5m/m 10-50-10 Hz/min 2H each
Flammability	UL94V-0	100%-600% rated power load
Load Life	$\Delta R \leq \pm(5\% + 0.1\Omega)$	JIS-C-5261 7-7

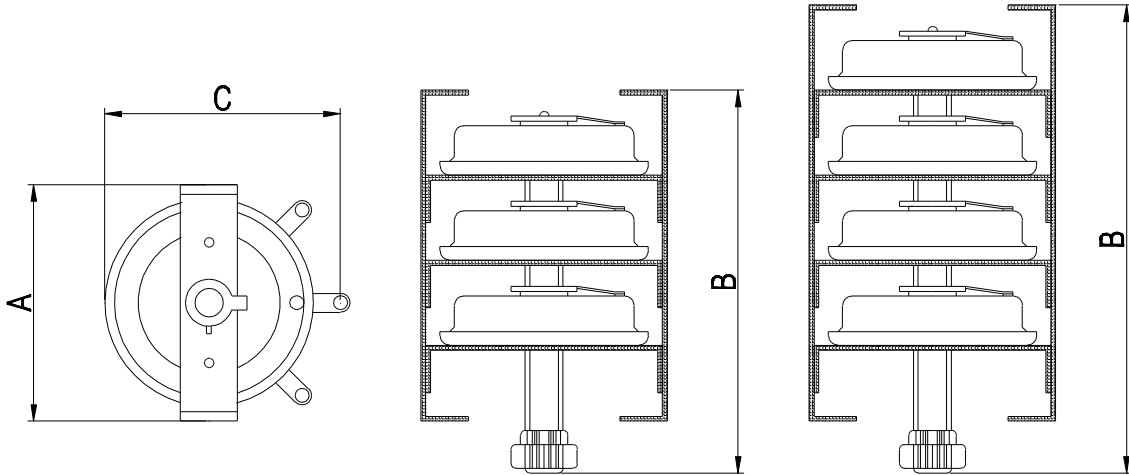
DIMENSIONS

Model: BC1 25W-500W single resistor power rating
 Model: BC1-N 25W-500W single resistor power rating(with knob)
 Model: BC1-DZ 25W-500W single resistor(with multi-resistance value)



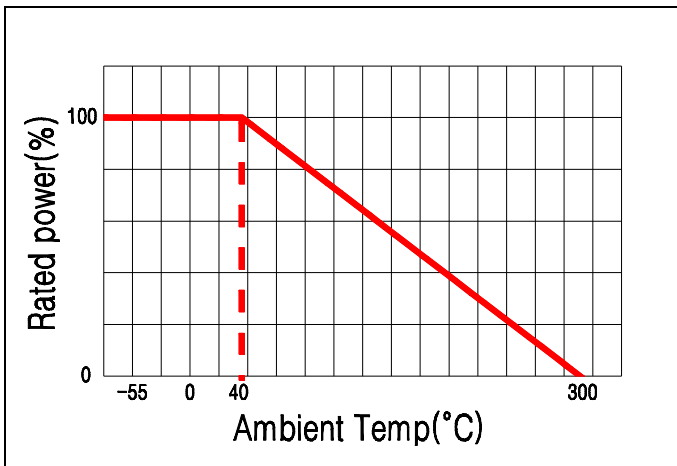
Power Rating	Dimensions(mm)						Resistance [Ω]
	H ± 3	L1 ± 5	L2 ± 3	B ± 3	D ± 0.5	d ± 0.3	
25W	44	60	25	50	6	2	1~3K
50W	64	64	25	70	6	2	1~5K
100W	81	64	35	92	6	4	1~5K
150W	104	70	30	120	6	4	1~5K
300W	155	115	55	170	10	4	1~5K
500W	205	120	60	215	10	4	1~5K

Model: BC1 1000W-3000W
 Model: BC1-N 1000W-3000W
 Note :
 1. Single resistor with power rating 500W
 2. 1000W(Two resistors series connection or parallel)
 3. 1500W(Three resistors series connection or parallel)
 4. 2000W(Four resistors series connection or parallel)
 5. 2500W(Five resistors series connection or parallel)
 6. 3000W(Six resistors series connection or parallel)
 7. Model BC1-N series with the knob in the bottom



Power rating	Dimensions(mm)		
	A±3	B±3	C±3
1000W	216	198	214
1500W		298	
2000W		396	
2500W		496	
3000W		595	

DERATING CURVES



ORDERING PROCEDURE EXAMPLE

