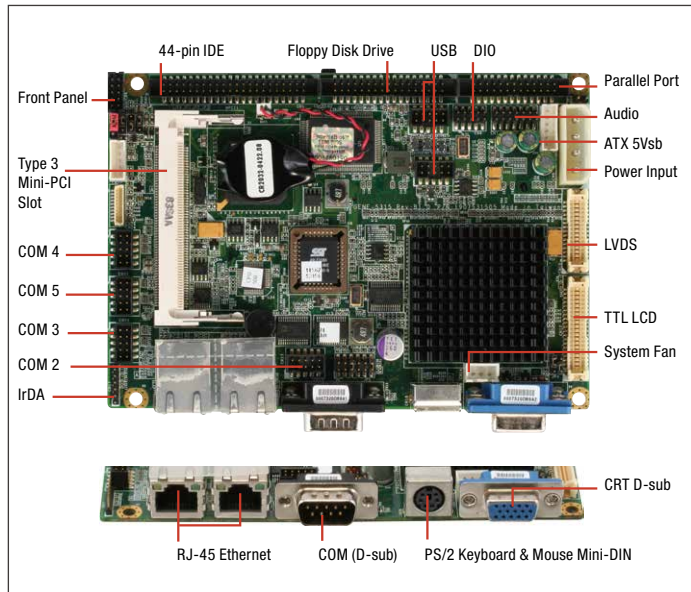


## 3.5" SubCompact Board with AMD Geode™ LX Series Processor



## Features

- Onboard AMD Geode™ LX800 Processor
- AMD Geode™ LX + CS5536
- DDR 333 MHz SODIMM x 1, Up to 1 GB or DDR 400 MHz SODIMM x 1, Up to 512 MB
- 10/100Base-TX Ethernet x 2, RJ-45 x 2
- Up to 24-bit Single Channel LVDS/ TTL LCD & CRT
- AC97 Codec 2CH Audio
- EIDE x 1, Floppy Disk Drive x 1, CompactFlash™ x 1
- COM x 5, Parallel x 1, USB2.0 x 4, 8-bit Digital I/O
- Mini-PCI x 1
- +5V Only Operation

## Specifications

System	
Form Factor	3.5" SubCompact Board
CPU	Onboard AMD Geode™ LX 800
CPU Frequency	500 MHz
Chipset	AMD Geode™ LX
Memory Type	DDR333 SODIMM x 1 (DDR400 optional)
Max. Memory Capacity	1 GB
BIOS	Award 1 MB
Wake on LAN	Yes
Watchdog Timer	255 Levels
Power Requirement	+5V
Power Supply Type	AT/ ATX
Power Consumption (Typical)	LX 800 500 MHz, DDR400 1 GB, 1.17A@+5V
Dimension (L x W)	5.75" x 4" (146mm x 101.6mm)
Operating Temperature	32°F ~ 140°F (0°C ~ 60°C), -4°F ~ 158°F (-20°C ~ 70°C) for WITAS 1
Storage Temperature	-40°F ~ 176°F (-40°C ~ 80°C)
Operating Humidity	0% ~ 90% relative humidity, non-condensing
MTBF (Hours)	90,000
Certification	CE/FCC
Display	
VGA/LCD Controller	AMD Geode™
Video Output	CRT, TTL LCD, LVDS LCD
Backlight inverter supply	Up to 24-bit single channel TTL/LVDS
I/O	
Ethernet	10/100Base-TX x 2, Realtek RTL 8139DL
Audio	High Definition Audio Interface
USB Port	USB2.0 x 4
Serial Port	RS-232 x 4 & TTL UART x 1, RS-232/422/485 x 1
Parallel Port	SPP/EPP/ECP x 1
HDD Interface	UDMA33 x 1
FDD Interface	FDD x 1
SSD	CompactFlash™
Expansion Slot	Mini-PCI
DIO	8 bit
SIM	—
TPM	—
Touch	—



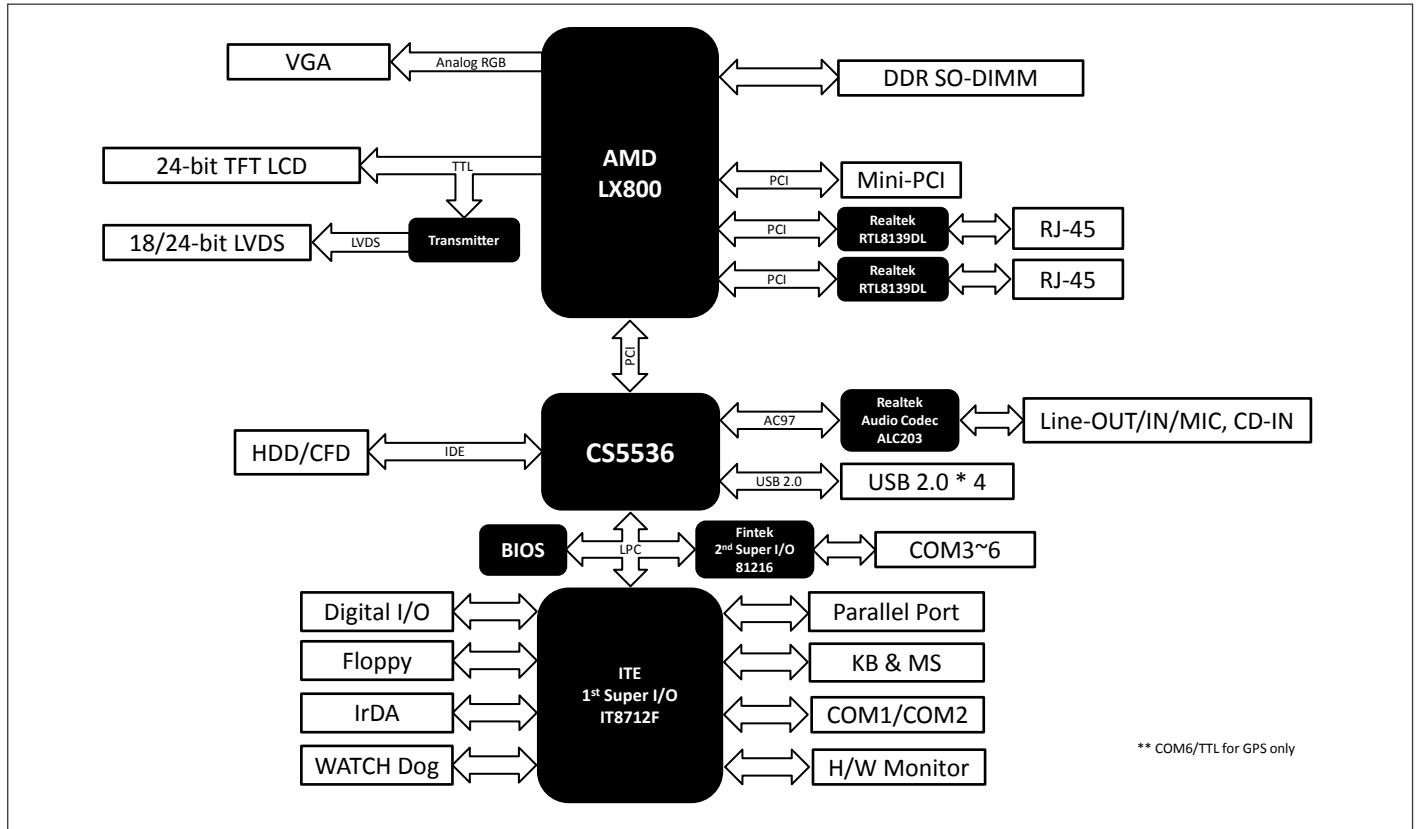
## Packing List

- **9681531501**  
Cable Kit for GENE-5315
  - 1700060192 Keyboard & Mouse Cable
  - 1709100201 USB Cable
  - 1701440500 IDE Cable
- **9657666600**  
Jumper Cap
- **Product CD**
- **GENE-5315 Rev. B**
- **1702200205**  
Conversion Cable for ATX Power Supply, Length 20cm
- **1709140181**  
Audio Cable, Length 18cm
- **1709100208**  
USB Cable, Length 20cm
- **1701100206**  
COM Port Cable, 9P DB Male, Length 20cm
- **1701260201**  
Parallel Port Cable, Length 20cm
- **1701340600**  
Floppy Cable, Length 60cm

## Optional Accessories

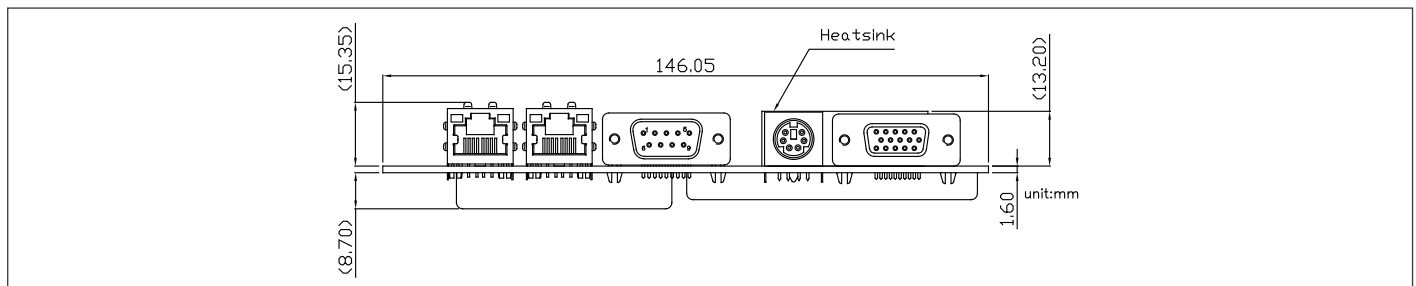
# GENE-5315 Rev. B

## Block Diagram



## Dimension

Unit: mm



## Ordering Information

Part Number	CPU	Fan/Fanless	Display	LVDS	Storage	LAN	USB	RS-232	RS-232/422/485	Expansion Slot	Power	Power Temp	Others
TF-GENE-5315-B10	AMD Geode™ LX800	Fanless	CRT + LVDS CRT + TTL	24b,1CH	EIDE x 1 Floppy x 1 CompactFlash™ x 1	FE x 2	UBS2.0 x 4	4	1	Mini-PCI x 1	+5V, AT/ATX	0°C ~ 60°C	DIO x 8
TF-GENE-5315-B10-01	AMD Geode™ LX800	Fanless	CRT + LVDS CRT + TTL	18b, 1CH	EIDE x 1 Floppy x 1 CompactFlash™ x 1	FE x 2	UBS2.0 x 4	4	1	Mini-PCI x 1	+5V, AT/ATX	0°C ~ 60°C	DIO x 8
TF-GENE-5315W1-B10	AMD Geode™ LX800	Fanless	CRT + LVDS CRT + TTL	24b,1CH	EIDE x 1 Floppy x 1 CompactFlash™ x 1	FE x 2	UBS2.0 x 4	4	1	Mini-PCI x 1	+5V, AT/ATX	WITAS 1 (-20°C ~ 70°C)	DIO x 8
TF-GENE-5315W1-B10-01	AMD Geode™ LX800	Fanless	CRT + LVDS CRT + TTL	18b, 1CH	EIDE x 1 Floppy x 1 CompactFlash™ x 1	FE x 2	UBS2.0 x 4	4	1	Mini-PCI x 1	+5V, AT/ATX	WITAS 1 (-20°C ~ 70°C)	DIO x 8