

THE INFORMATION CONTAINED HEREIN IS CONSIDERED 'PROPRIETARY' TO BEL FUSE INC. AND SHALL NOT BE COPIED, REPRODUCED OR DISCLOSED WITHOUT THE WRITTEN APPROVAL OF BEL FUSE INC.

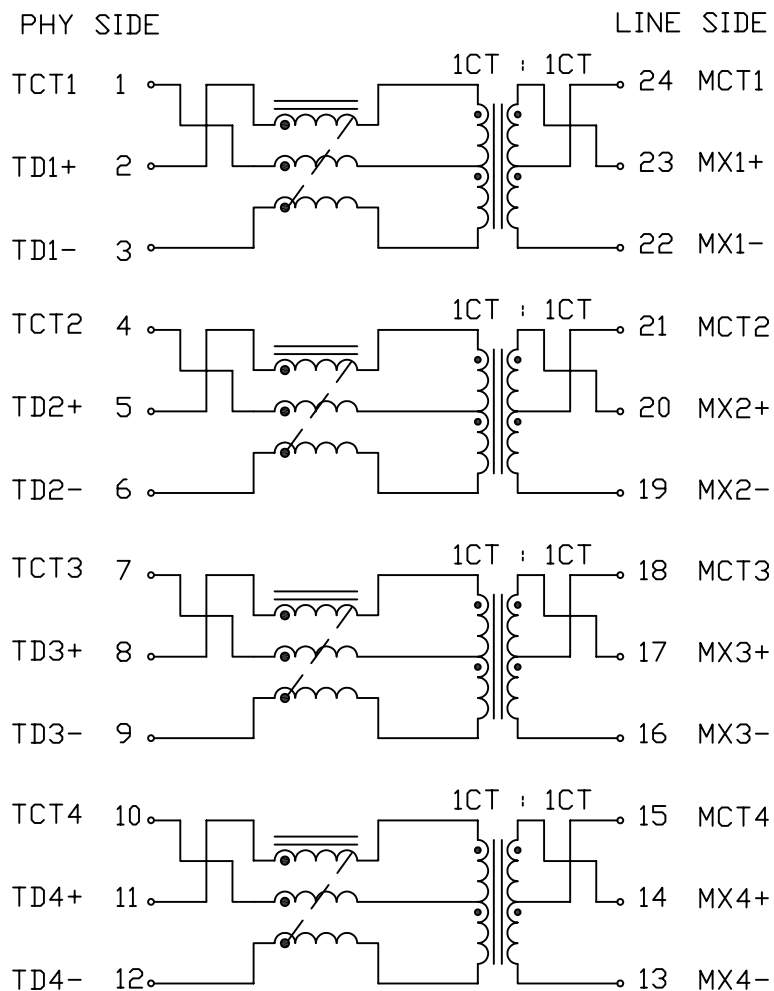
PRELIMINARY

ELECTRICAL CHARACTERISTICS @25°C

RoHS
2002/95/EC



SCHEMATIC



TURNS RATIO
 (2-1-3) : (23-24-22) 1CT : 1CT ±2%
 (5-4-6) : (20-21-19) 1CT : 1CT ±2%
 (8-7-9) : (17-18-16) 1CT : 1CT ±2%
 (11-10-12) : (14-15-13) 1CT : 1CT ±2%

□CL 100kHz, 100mV
 -40°C TO +85°C 350uH MIN WITH 11mA DC BIAS
 -40°C TO +85°C 120uH MIN WITH 19mA DC BIAS

INTERWINDING CAPACITANCE, Cw/w @1MHz, 20mV
 30pF MAX

INSERTION LOSS
 0.3MHz - 1MHz 1.1dB MAX
 1MHz - 65MHz 0.8dB MAX
 65MHz - 100MHz 1.0dB MAX
 100MHz - 125MHz 1.2dB MAX

RETURN LOSS @100□HM
 0.5MHz - 40MHz 18dB MIN
 40MHz - 100MHz 12-20LOG(f/80MHz)dB MIN

CROSSTALK
 0.3MHz - 100MHz 33-20LOG(f/100MHz)dB MIN

CM TO CM REJ
 0.3MHz - 100MHz 30dB MIN

CM TO DM REJ
 0.3MHz - 100MHz 35dB MIN

BALANCED DC LINE CURRENT 720mA MAX @57VDC CONTINUOUS
 1.2A MAX @57VDC FOR 200mS

HIPOT 1500 Vrms

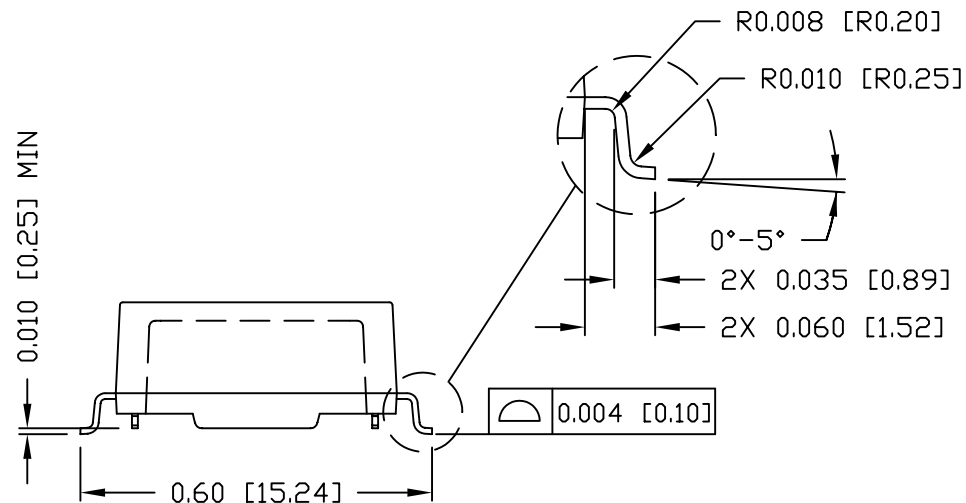
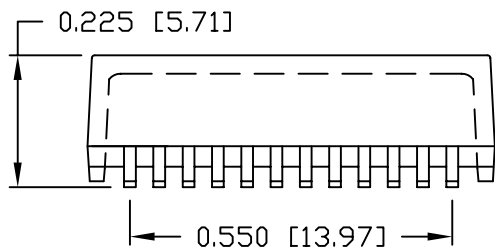
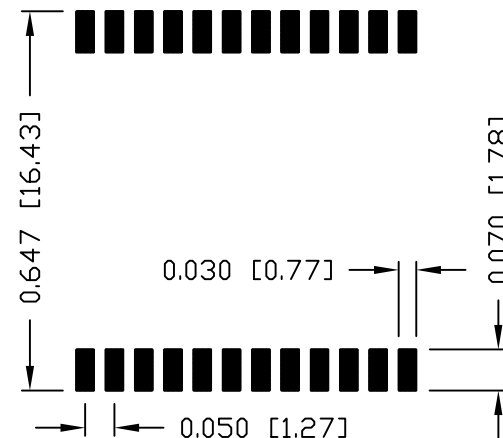
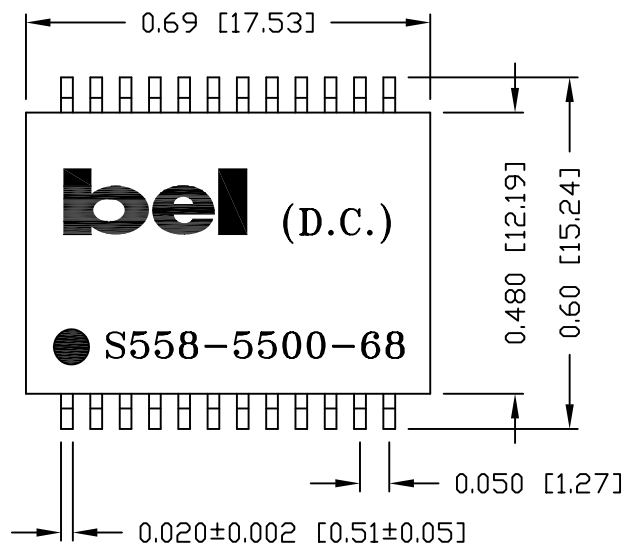
ORIGINATED BY	DATE	TITLE	PART NO. / DRAWING NO.	STANDARD DIM. TOL. IN INCH	[] METRIC DIM. AS REFERENCE
CHAN CH	03-06-09	ELECTRICAL SPECIFICATION	S558-5500-68	.X	UNIT : INCH [mm] REV. : PB
DRAWN BY	DATE		FILE NAME	.XX	SCALE : N/A SIZE : A4
YH Lai	03-06-09		S558550068PB.DWG	.XXX	PAGE : 2



THE INFORMATION CONTAINED HEREIN IS CONSIDERED "PROPRIETARY" TO BEL FUSE INC. AND SHALL NOT BE COPIED, REPRODUCED OR DISCLOSED WITHOUT THE WRITTEN APPROVAL OF BEL FUSE INC.

PRELIMINARY

SUGGESTED PCB PAD LAYOUT



NOTES:

- STANDARD MARKING REFER TO DOC. HAND-WORK-04.
- PACKAGE CODE: "RQS001".

ORIGINATED BY	DATE	TITLE	PART NO. / DRAWING NO.	STANDARD DIM. TOL. IN INCH	[] METRIC DIM. AS REFERENCE
LAWRENCE TSANG	03-06-09	MECHANICAL OUTLINE	S558-5500-68	.X	UNIT : INCH [mm]
DRAWN BY	DATE		FILE NAME	.XX ±0.01	SCALE : N/A
YH Lai	03-06-09		S558550068PB.DWG	.XXX ±0.005	REV. : PB
					SIZE : A4
					PAGE : 3

