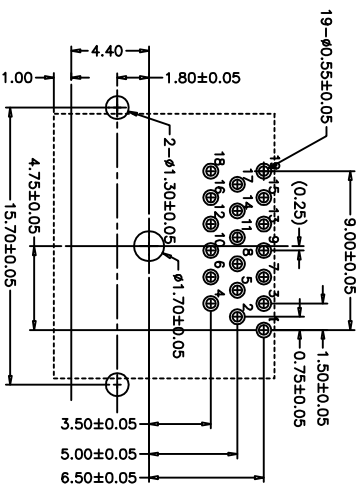
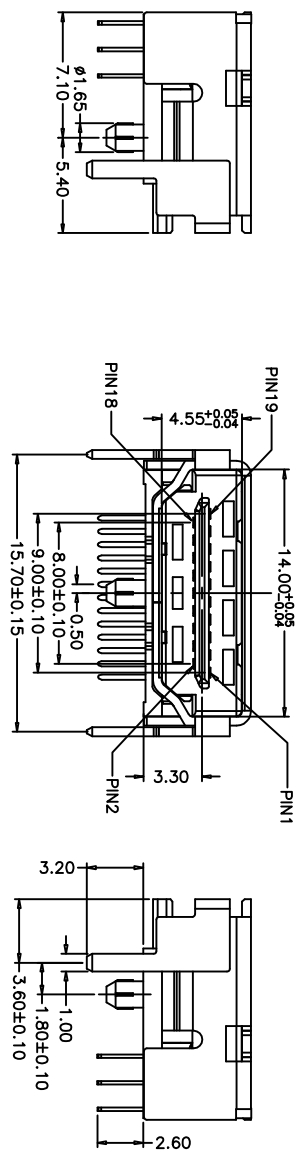
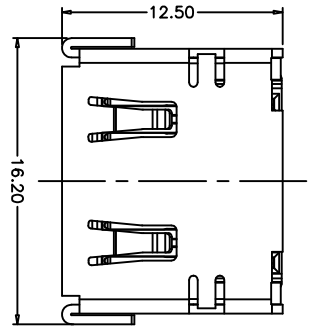
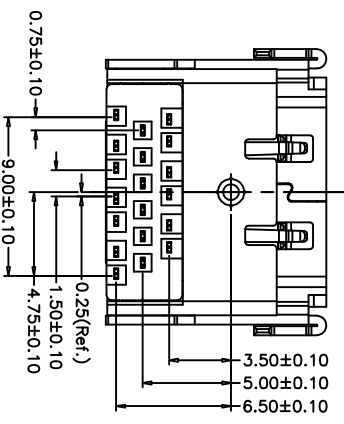


Rev	AWO #	Description	Date	Appr
-		RELEASED	6/03/10	

APPROVED: \_\_\_\_\_  
 DATE: \_\_\_\_\_ TITLE: \_\_\_\_\_



RECOMMENDED PCB LAYOUT(=1.60±0.15)  
 COMPONENT SIDE



**SPECIFICATIONS:**

- Material:**
  - Housing: Hi-temp thermoplastic, UL 94V-0
  - Housing color: Black
  - Contact: Copper Alloy
  - Shield: Copper Alloy, Nickel plated
- Plating:**
  - Gold flash over Nickel underplate on contact area,
  - Tin over Copper underplate on tails.
- Electrical:**
  - Voltage rating: 40V
  - Current rating: 0.5A
  - Dielectric strength: 300VAC for 1 minute min.
  - Insulation resistance: 100 Megohm min.
  - Contact resistance: 10 mohms max.
- Environmental:**
  - Lead free, RoHS Compliant
  - Recommended soldering temp: 260°C for 5 seconds.

6 5 4 3 2 1

UNLESS OTHERWISE SPECIFIED ALL DIMENSIONS ARE MM	
TOLERANCES: EXCEPT AS NOTED	
INCHES	HOLDS
.X ± .10	ØX ± .10
.XX ± .020	ØXXX ± .015
.XXX ± .015	ØXXX ± .010
APPROVALS	
DRAWN	DATE
CHECKED	
APPROVED	

**ADAM TECH**  
 909 Rahway Avenue, Union, NJ 07083  
 Phone: 908-687-5000 Fax: 908-687-5710

TITLE: **HDMI CONNECTOR, 19P, NO FLANGE**  
 DIP TYPE, 3 ROWS

SIZE: X  
 PART NO.: HDMI-S-RA-1-02  
 REF: S00015C SCALE: NTS SHEET 1 OF 1

A