

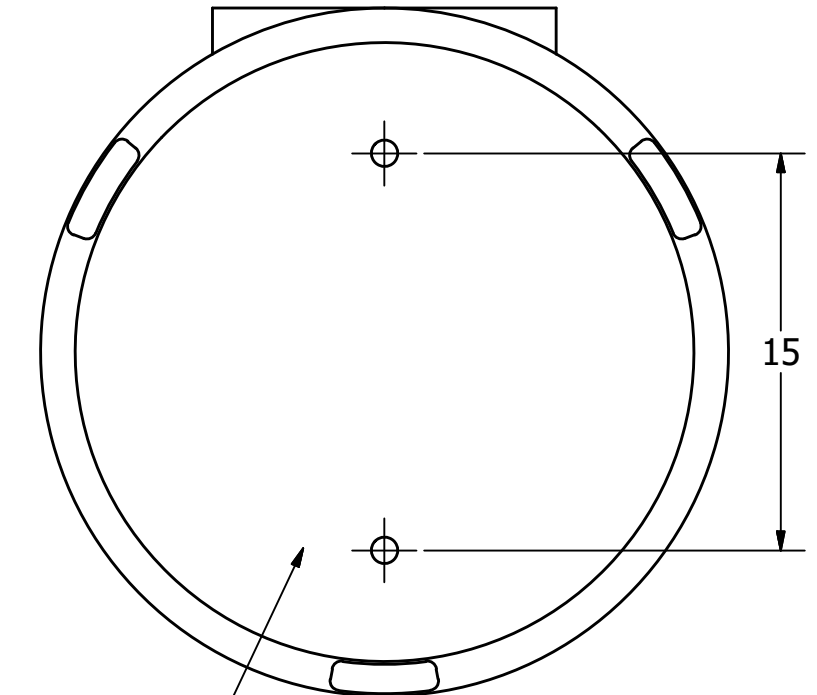
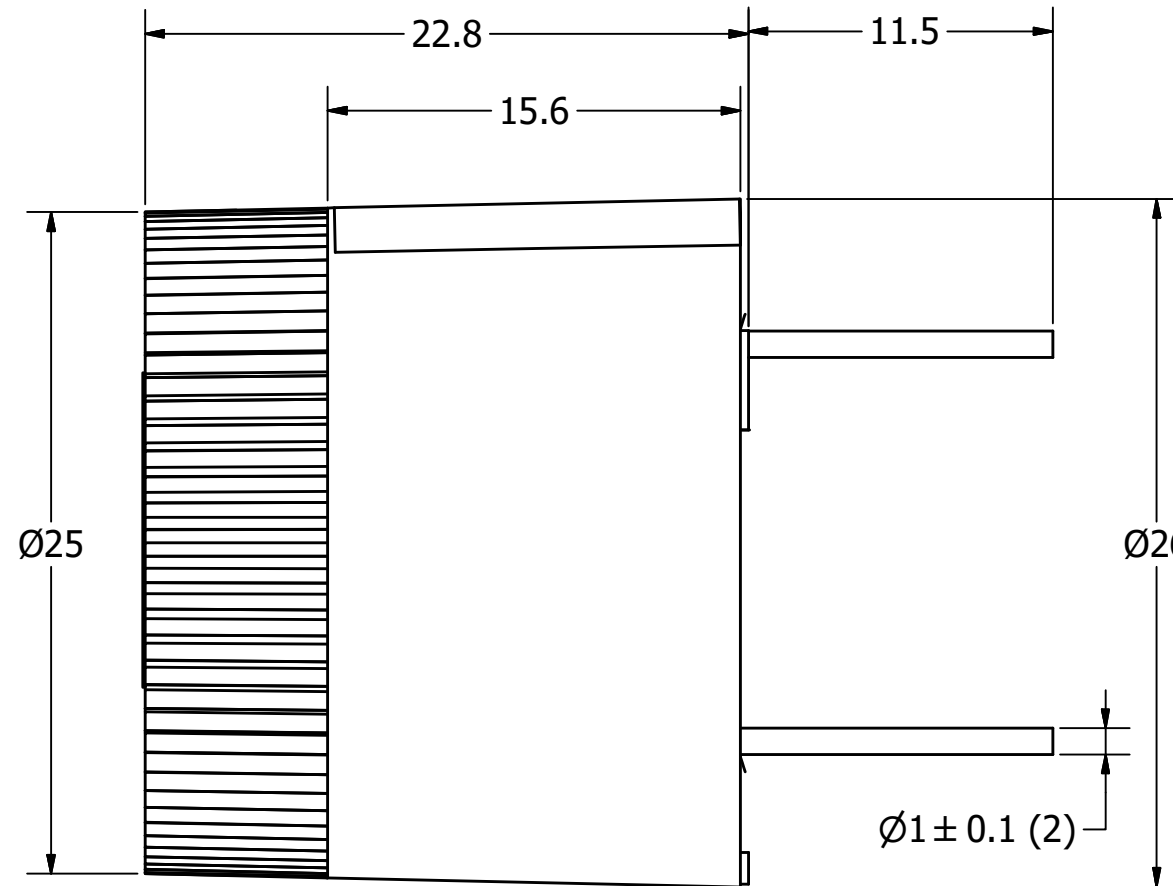
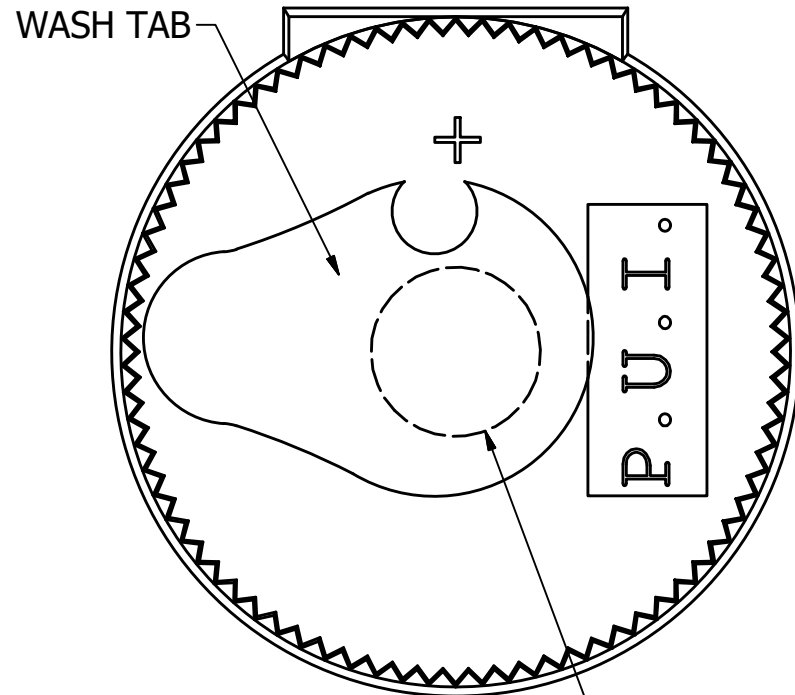
# SPECIFICATIONS

PARAMETERS	VALUES	UNITS
RATED VOLTAGE	12	Vdc
OPERATING VOLTAGE RANGE	9 ~ 14	Vdc
RATED CURRENT (MAX)	70	mA
MINIMUM SPL @ 10 CM	107.5	dB
RESONANT FREQUENCY	2,000 ~ 4,000	Hz
TONE OR PULSE RATE	SIREN SWEEP	-
OPERATING TEMPERATURE	-20 ~ +60	°C
STORAGE TEMPERATURE	-40 ~ +80	°C
HOUSING MATERIAL	PC	-
TERMINAL MATERIAL	Sn PLATED COPPER	-
WEIGHT	12	grams

THIS DOCUMENT CONTAINS DATA PROPRIETARY TO PROJECTS UNLIMITED, INC. ANY USE OR REPRODUCTION, IN ANY FORM, WITHOUT PRIOR WRITTEN PERMISSION OF PROJECTS UNLIMITED, INC. IS PROHIBITED.  
©2003, Projects Unlimited Inc.

## REVISION HISTORY

LTR	DESCRIPTION	DATE	APPROVED
-	RELEASED FROM ENGINEERING	1/7/2016	
A	REVISED OPERATING TEMPERATURE	7/5/2018	M.V.



### NOTES:

1. ALL DIMENSIONS ARE IN MILLIMETERS.
2. SPECIFICATIONS SUBJECT TO CHANGE OR WITHDRAWL WITHOUT NOTICE.
3. THIS PART IS RoHS 2002/95/EC COMPLIANT.

UNLESS OTHERWISE SPECIFIED: DIMENSIONS ARE IN MILLIMETERS, TOLERANCES ARE ±0.5 AND ANGLES ARE ±3°.	SIZE <b>A3</b>	Designed by	Date	Checked by	Date	Approved by	Date	Drawn Date	
		M.V.	1/7/2016	M.V.	1/7/2016	B.R.	1/7/2016	1/7/2016	
X-2629-TWT-FP-R.idw				<b>X-2629-TWT-FP-R</b>					
		<b>Indicator</b>				Edition		Sheet	
						-		1 / 1	