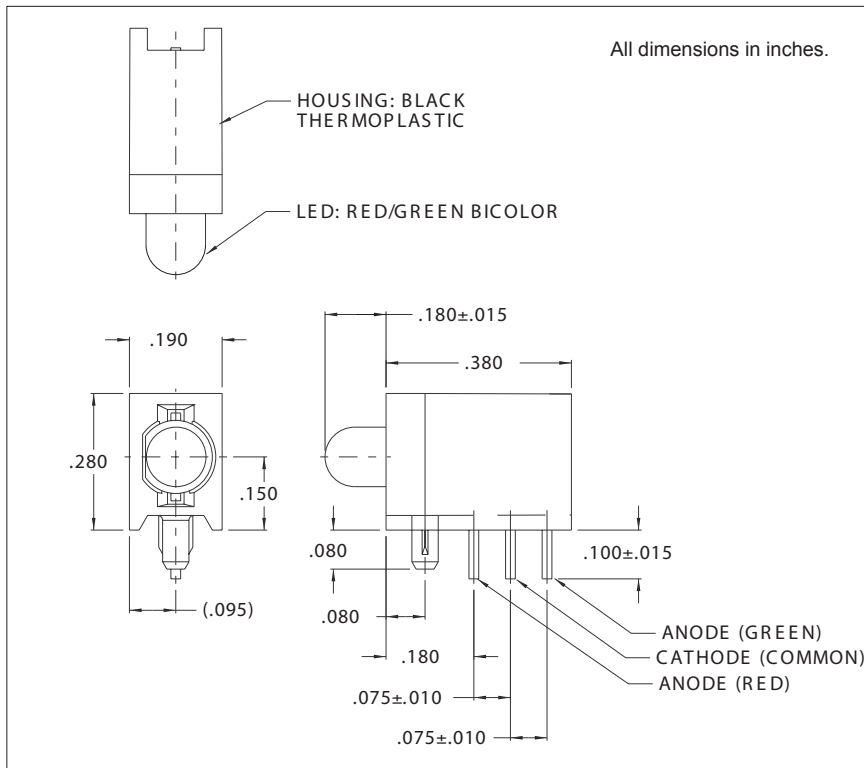


## 5361 Series Tri-Color Right Angle LED Assembly

### Description and Features



#### Features

- 3 lead, dual-chip LED with common cathode
- Lights red or green.
- Brightness-matched chips for even illumination.
- Flat lens styles.
- Provides multiple indications in a single compact package.

## Electro-Optical Characteristics and Ratings

| Part Number | Color | Package Type | Package Color | Continuous Forward CurrentMax. (mA) | Forward VoltageTyp. (V) | Forward VoltageMax. (V) | Rated Current (mA) | Min.Lum. Intensity (mcd) | Typ.Lum. Intensity (mcd) |
|-------------|-------|--------------|---------------|-------------------------------------|-------------------------|-------------------------|--------------------|--------------------------|--------------------------|
| 5361M1/5    | Red   | Diffused     | White         | 30                                  | 2.0                     | 2.5                     | 20                 | 650                      | 5                        |
|             | Green | Diffused     | White         | 30                                  | 2.1                     | 2.5                     | 20                 | 562                      | 5                        |