

PLEASE CHECK WWW.MOLEX.COM FOR LATEST PART INFORMATION

Part Number: [0853510006](#)
Status: **Active**
Description: EMILY™ Power Board Connector

Documents:

[3D Model](#) [RoHS Certificate of Compliance \(PDF\)](#)
[Drawing \(PDF\)](#)

General

Product Family	I/O Connectors
Series	85351
Application	Wire-to-Board
Comments	150 parts per reel (primary pack) 5 reels per carton, latching system to front panel on cable connector
Component Type	Receptacle
Product Name	EMILY™
Type	N/A

Physical

Circuits (Loaded)	2
Circuits (maximum)	2
Circuits Detail	2 power contacts 7.8 mm (0.307 inch) centerline (pitch)
Durability (mating cycles max)	25
Lock to Mating Part	None
Material - Metal	Copper-Nickel-Zinc
Material - Plating Mating	Tin
Material - Plating Termination	Tin
Orientation	Right Angle
PCB Locator	Yes
PCB Retention	Yes
Packaging Type	Embossed Tape on Reel
Panel Mount	Yes
Pitch - Mating Interface (in)	0.307 In
Pitch - Mating Interface (mm)	7.80 mm
Plating min: Mating (µin)	120
Plating min: Mating (µm)	3
Polarized to Mating Part	Yes
Polarized to PCB	Yes
Surface Mount Compatible (SMC)	N/A
Temperature Range - Operating	-20°C to +80°C
Termination Interface: Style	Surface Mount
Wire Size AWG	N/A

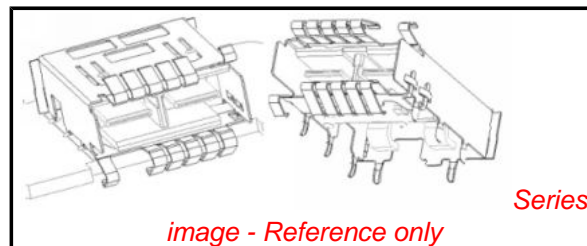
Electrical

Current - Maximum per Contact	20A
Grounding to Panel	Drop-In
Shield Type	Full Shield
Shielded	Yes
Voltage - Maximum	200V

Material Info

Reference - Drawing Numbers

Packaging Specification	PK-85349-004
Sales Drawing	SD-85351-001



EU RoHS

ELV and RoHS Compliant
REACH SVHC
Contains SVHC: No
Halogen-Free
Status
Not Reviewed

China RoHS



Need more information on product environmental compliance?

Email productcompliance@molex.com
 For a multiple part number RoHS Certificate of Compliance, [click here](#)

Please visit the [Contact Us](#) section for any non-product compliance questions.

Search Parts in this Series

[85351Series](#)

Mates With

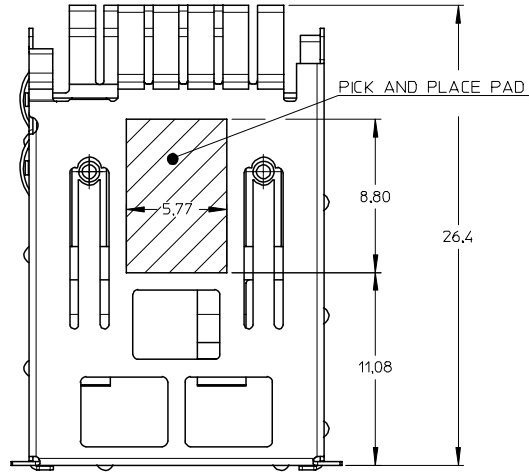
[85373](#)

Use With

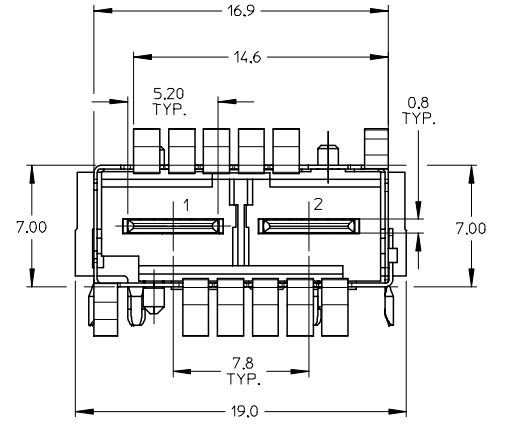
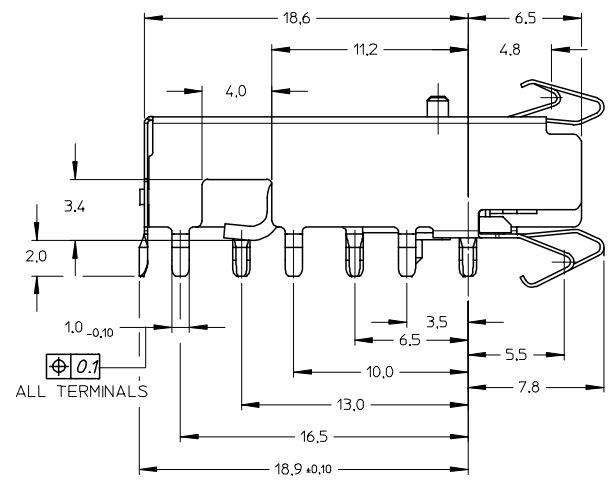
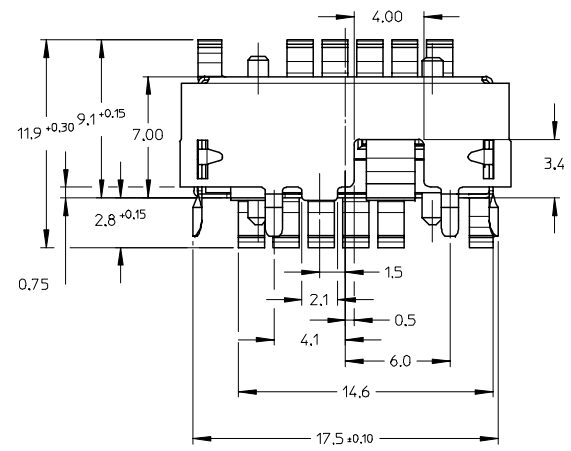
[85373](#)

This document was generated on 05/25/2010

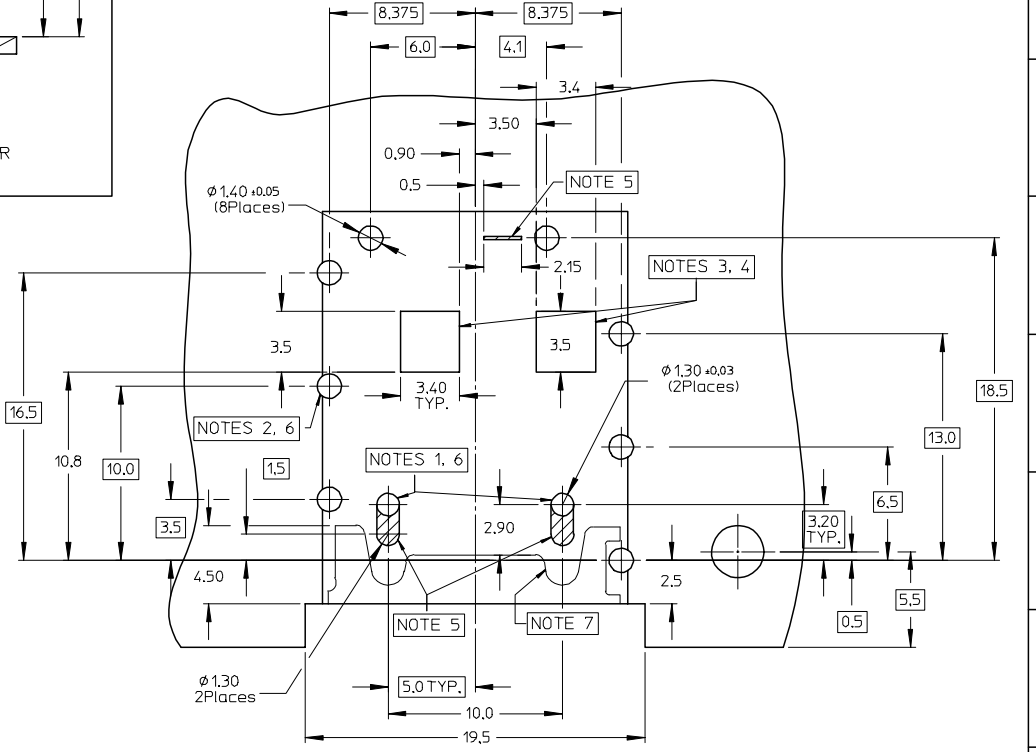
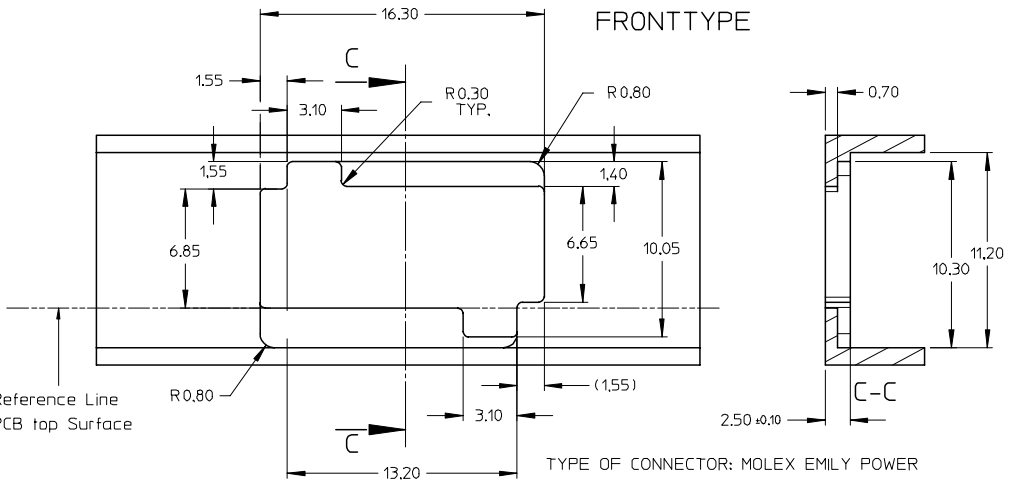
PLEASE CHECK WWW.MOLEX.COM FOR LATEST PART INFORMATION



- NOTES:
- 1- SHIELD MATERIAL GERMAN SILVER 0.20mm THICK
CuNi18 Zn20 HV 180-210
 - 2- HOUSING MATERIAL: LCP
COLOR: BLACK
 - 3- CONTACT MATERIAL: CuSn6
PLATING: SEE SHEET 3
 - 4- PACKAGING SPEC. PK-85349-004



EC NO: MG2005-0367 DRAWN: TMARTIN 2005/05/03 CHKD: FCARABE 2005/05/04 APPR: KNOLLER 2005/05/13	QUALITY SYMBOLS ▼ - 0 ∇ - 0	GENERAL TOLERANCES (UNLESS SPECIFIED)		SCALE 5:1	DESIGN UNITS METRIC	THIRD ANGLE PROJECTION	REVISE ON CAD ONLY	
		mm	INCH	DIMENSION STYLE MM ONLY		TITLE		
		4 PLACES ± --- ± ---	3 PLACES ± --- ± ---	DRAWN BY TMARTIN	DATE 00/03/07	EMILY POWER PCB PIN CONNECTOR		
		2 PLACES ± --- ± ---	1 PLACE ± --- ± ---	CHECKED BY JK	DATE 00/03/08			
16	REV	DRAFT WHERE APPLICABLE MUST REMAIN WITHIN DIMENSIONS		APPROVED BY HK	DATE 00/03/08	MATERIAL NO. 85351-0006	DOCUMENT NO. SD-85351-001	SHEET NO. 1 OF 3



- NOTES:
- 1- 2x LOCATION HOLES NOT PLATED
 - 2- 8x PIN HOLES FOR SHIELD PLATED THROUGH
 - 3- 2x PAD FOR POWER CONTACTS
 - 4- PAD DIMENSIONS ARE MIN. NEEDED
PAD SIZE W/O SOLDER TECHNIQUE INCREASE
 - 5- KEEP OFF AREA FOR SOLDER PASTE AND
SOLDERSTOPMARK FOR DISTANCE PINS
AT HOUSING AND SHIELD
 - 6- ALL HOLES $\phi 0.7$
 - 7- LOWER BAR AREA (SHIELD)

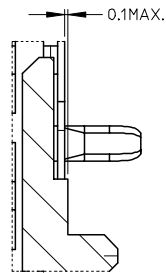
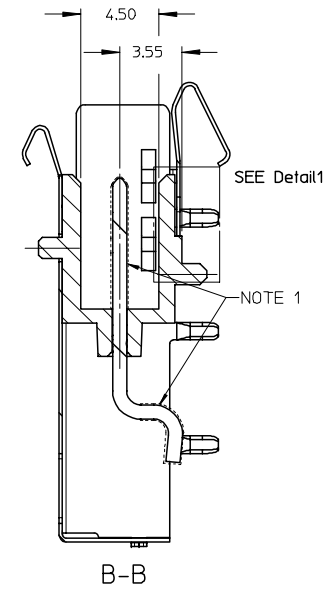
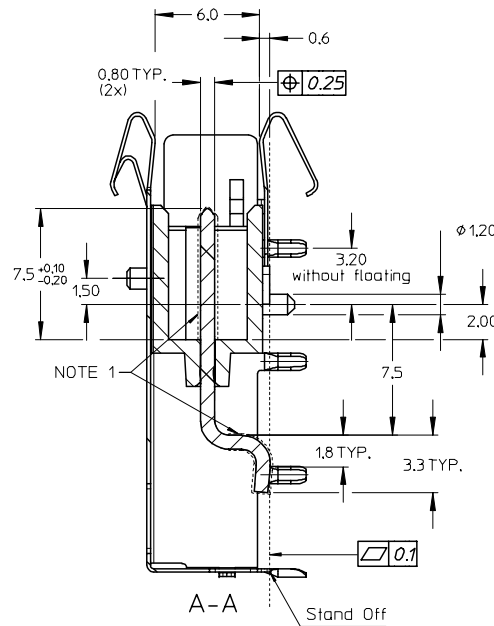
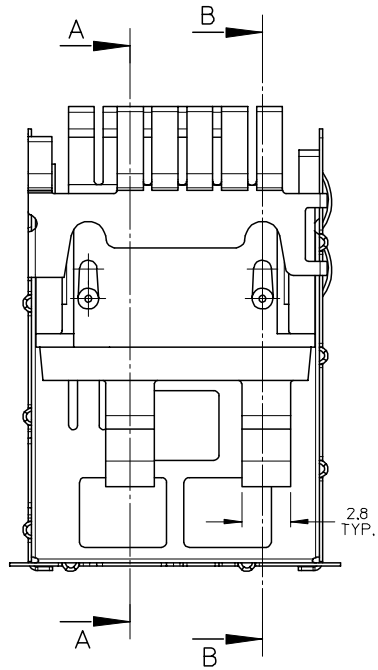
EC NO: MG2005-0367 DRAWN BY: MARTIN 2005/05/03 CHK'D BY: CARABETTA 2005/05/04 APPROVED BY: KNOLLER 2005/05/13 REV: 16	QUALITY SYMBOLS $\nabla=0$ $\nabla=0$	GENERAL TOLERANCES (UNLESS SPECIFIED)		DIMENSION STYLE MM ONLY		SCALE 5:1	DESIGN UNITS METRIC	THIRD ANGLE PROJECTION		
		4 PLACES ± --- ± --- 3 PLACES ± --- ± --- 2 PLACES ± --- ± --- 1 PLACE ± --- ± --- ANGULAR ± --- °	mm INCH	DRAWN BY TMARTIN	DATE 00/03/07	CHECKED BY JK	DATE 00/03/08	EMILY POWER PCB PIN CONNECTOR		
		DRAFT WHERE APPLICABLE MUST REMAIN WITHIN DIMENSIONS		APPROVED BY HK	DATE 00/03/08	MOLEX INCORPORATED		MATERIAL NO. 85351-0006	DOCUMENT NO. SD-85351-001	SHEET NO. 2 OF 3
THIS DRAWING CONTAINS INFORMATION THAT IS PROPRIETARY TO MOLEX INCORPORATED AND SHOULD NOT BE USED WITHOUT WRITTEN PERMISSION										

NOTES:

1- PLATING: TIN OVER NICKEL

NICKEL: 1 - 2um

TIN : 3 - 5um TIN



Detail1
SCALE 10:1

EC NO: MG2005-0367 DRWN: TMARTIN 2005/05/03 CHKD: FCARABE 2005/05/04 APPR: KNOLLER 2005/05/13	QUALITY SYMBOLS	GENERAL TOLERANCES (UNLESS SPECIFIED)		SCALE 5:1	DESIGN UNITS METRIC	THIRD ANGLE PROJECTION	REVISE ON CAD ONLY	
	▼ - 0 ∇ C = 0	mm	INCH	DIMENSION STYLE MM ONLY		TITLE		
		4 PLACES ± --- ± ---	3 PLACES ± --- ± ---	2 PLACES ± --- ± ---	1 PLACE ± --- ± ---	DRAWN BY TMARTIN	DATE 00/03/07	EMILY POWER PCB PIN CONNECTOR
		ANGULAR ± --- °				CHECKED BY JK	DATE 00/03/08	
16	DESCRIPTION	DRAFT WHERE APPLICABLE MUST REMAIN WITHIN DIMENSIONS		APPROVED BY HK	DATE 00/03/08	MATERIAL NO. 85351-0006	DOCUMENT NO. SD-85351-001	SHEET NO. 3 OF 3