

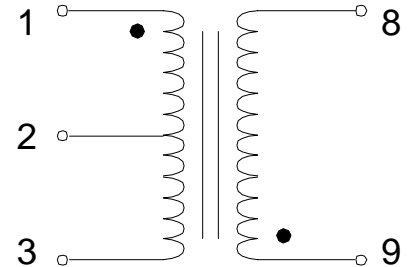
# Converter Transformer

## 3 Watt

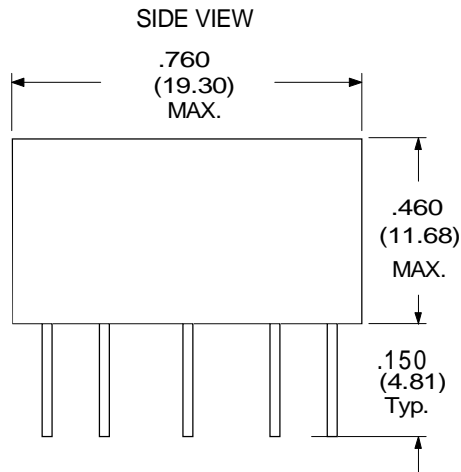
INPUT 5 VDC

PARAMETER @25°C	MIN.	MAX.	UNITS
Output (@250 mW)	190	210	VDC
Frequency	9.8	13.2	KHz
Efficiency	64		%
Hipot	500		V <sub>RMS</sub>
Operating Temp. Range	-20	+80	°C

SCHMATIC  
DIAGRAM:

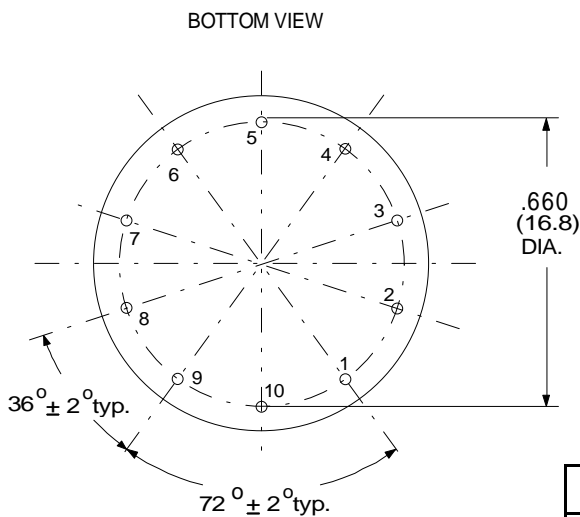


Primary Pins 1 - 3  
Secondary Pins 8 - 9



PHYSICAL DIMENSIONS  
inches (mm)

Leads are 0.026 Dia.  
All unused pins omitted



RHOMBUS P/N: T-1155	
CUST P/N:	NAME:
DATE: 10/1/98	SHEET: 1 OF 1