

P/N	(Ø A)	B	INTERFACE	FIGURE(S)
-1CC	.085	.050	DETENT	1
-2CC	.088	.050	NON-DETENT	1
-3CC	.085	NR	DETENT	2
-4CC	.088	NR	NON-DETENT	2
-5CC	.088	.050	CATCHERS MITT	3
-6CC	.088	NR	CATCHERS MITT	4

REVISIONS				
ZONE	REV	DESCRIPTION	DATE	BY
-	E	ECO 23802 (Add -5CC & -6CC)	11.02.10	PCV

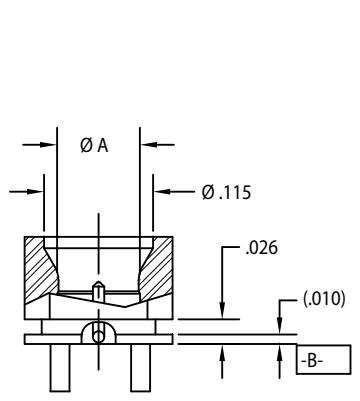


FIGURE 1

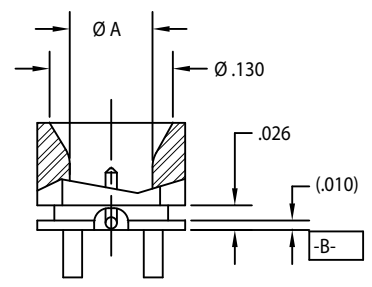
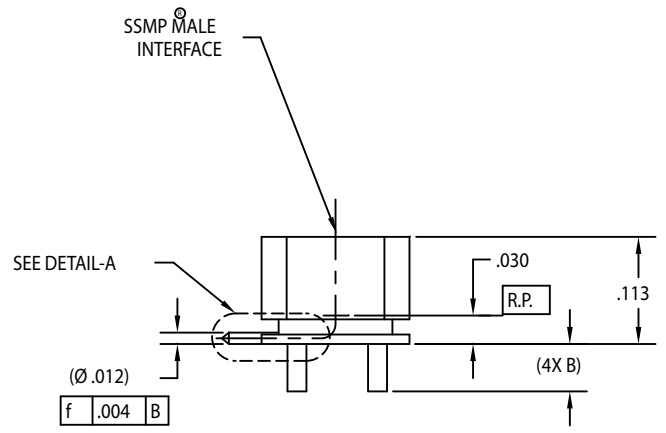
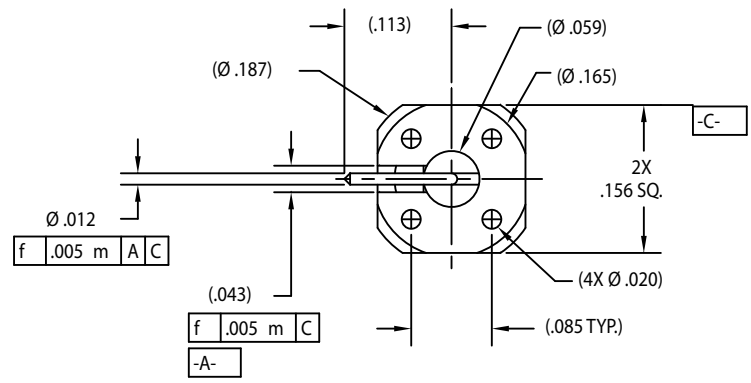


FIGURE 3



TITLE				
SSMP MALE STRAIGHT SURFACE MOUNT				
SCALE	SUB-DIRECTORY/FILENAME	SHEET	REV	BY
10/1	OLPXXX\OLP311	4	2	PCV
SIZE	CAGE CODE	DRAWING NO.		
C	30990	P311		

4

3

2

1

D

D

C

C

B

B

A

A

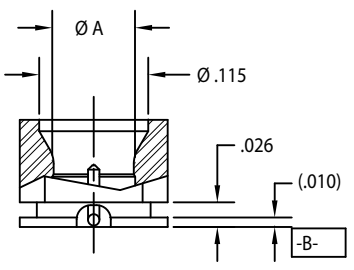


FIGURE 2

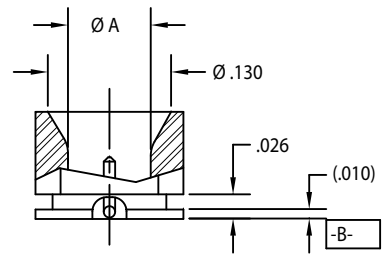
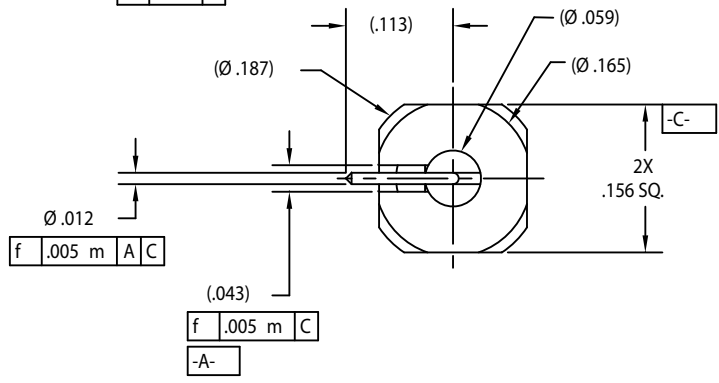
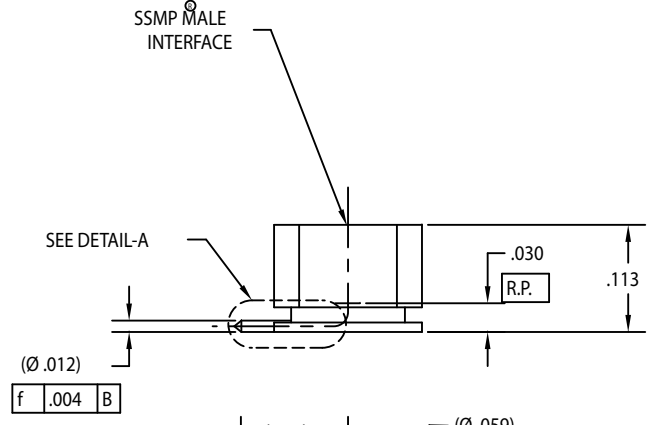


FIGURE 4

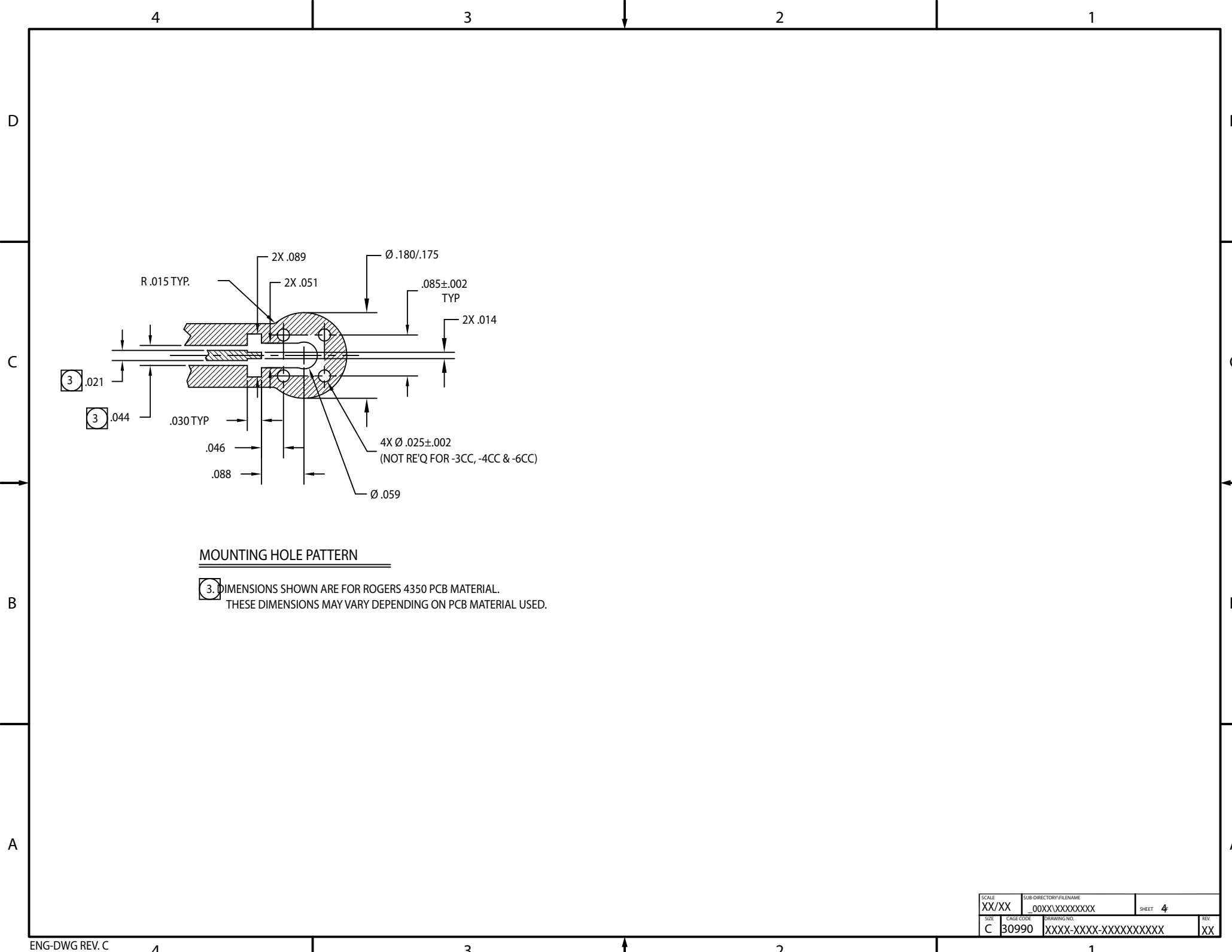
4

3

2

1

SCALE	SUB-DIRECTORY/FILENAME	SHEET	2
10:1	OLP\	2	2
SIZE	DRAWING NO.	REV	
C	30990	P311	E



MOUNTING HOLE PATTERN

3. DIMENSIONS SHOWN ARE FOR ROGERS 4350 PCB MATERIAL.
 THESE DIMENSIONS MAY VARY DEPENDING ON PCB MATERIAL USED.

SCALE XX/XX		SUB-DIRECTORY/FILENAME _00XX\XXXXXXXXXX		SHEET 4	
SIZE C	CAGE CODE 30990	DRAWING NO. XXXX-XXXX-XXXXXXXXXX			REV XX