

5V and 3.3V Supply Voltage Monitor and Reset Circuit



FEATURES

- **Selectable reset voltage tolerance**
 - CAT1232LP for 5V supply
 - CAT1832 for 3.3V supply
- **Selectable watchdog period:**
150ms, 600ms or 1.2 sec
- **Two reset outputs**
 - Active high, push-pull reset output
 - Active low, open-drain reset output (CAT1232LP)
 - Active low, push-pull reset output (CAT1832)
- **Debounced manual push-button reset**
- **Compact SOIC and MSOP packages**

APPLICATIONS

- **Microprocessor Systems**
- **Portable Equipment**
- **Controllers**
- **Single Board Computers**
- **Instrumentations**
- **Telecommunications**

DESCRIPTION

The CAT1232LP and CAT1832 microprocessor supervisors can halt and restart a “hung-up” or “stalled” microprocessor, restart a microprocessor after a power failure, and debounce a manual/push-button microprocessor reset switch. The devices are drop in replacements for the Maxim/Dallas Semiconductor DS1232LP and DS1832 supervisors

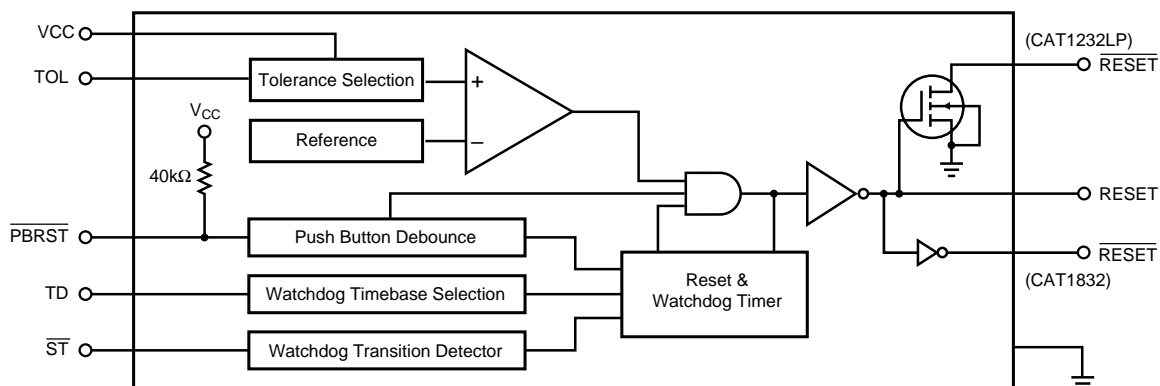
Precision reference and comparator circuits monitor the 5V or 3.3V system power supply voltage, V_{CC} . During power-up or when the power supply falls outside selectable tolerance limits, both the RESET and $\overline{\text{RESET}}$ become active. After the power supply voltage rises above the RESET threshold voltage, the reset signals remain active for a minimum of 250ms, allowing the power supply and system processor to stabilize. The trip-point tolerance input, TOL, selects the trip level tolerance to be either 5% or 10% for the CAT1232LP 5V supply and 10% or 20% for the CAT1832 3.3V supply.

Each device has a push-pull, active HIGH reset output. The CAT1232LP also has an open drain, active LOW reset output while the CAT1832 also has a push-pull, active LOW reset output.

A debounced manual reset input activates the reset outputs and holds them active for a minimum period of 250ms after being released.

Also included is a watchdog timer to reset a microprocessor that has stopped due to a software or hardware failure. Three watchdog time-out periods are selectable: 150ms, 600ms and 1.2sec. If the $\overline{\text{ST}}$ input is not strobed low before the watchdog time out period expires, the reset signals become active for a minimum of 250ms.

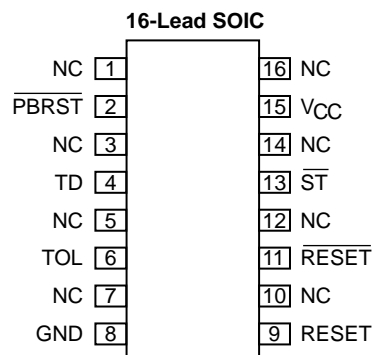
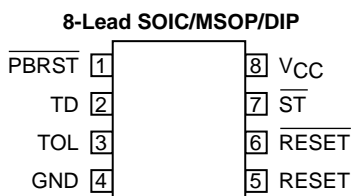
FUNCTIONAL DIAGRAM



ORDERING INFORMATION

Solder Plate Lead Finish	Green Sn Lead Finish	Green NiPdAu Lead Finish				
Ordering Part Number	Ordering Part Number	Ordering Part Number	Package	Parts per Tube	Parts Per Reel	Reel Size (inch)
CAT1232LP	CAT1232LPL	CAT1232LPGL	8-lead, DIP	50	—	—
CAT1232LPS	CAT1232LPW	CAT1232LPGW	16-lead, SOIC	47	—	—
CAT1232LPS-2	CAT1232LPV	CAT1232LPGV	8-lead, SOIC	100	—	—
CAT1232LPU	CAT1232LPZ	CAT1232LPGZ	MSOP	100	—	—
CAT1232LPS-T13	CAT1232LPW-T13	CAT1232LPGW-T13	16-lead, SOIC	—	2,000	13
CAT1232LPS-2T13	CAT1232LPV-T13	CAT1232LPGV-T13	8-lead, SOIC	—	2,000	13
CAT1232LPU-T13	CAT1232LPZ-T13	CAT1232LPGZ-T13	MSOP	—	2,500	13
CAT1832	CAT1832L	CAT1832GL	8-lead, DIP	50	—	—
CAT1832S	CAT1832V	CAT1832GW	8-lead, SOIC	100	—	—
CAT1832U	CAT1832Z	CAT1832GZ	MSOP	100	—	—
CAT1832S-T13	CAT1832V-T13	CAT1832GW-T13	8-lead, SOIC	—	2,000	13
CAT1832U-T13	CAT1832Z-T13	CAT1832GZ-T13	MSOP	—	2,500	13

PIN CONFIGURATION



PIN DESCRIPTION

Pin Number 8-Lead Package	Pin Number 16-Lead Package	Name	Function
1	2	PBRST	Debounced manual pushbutton reset input
2	4	TD	Watchdog typical time delay selection: a) $t_{TD} = 150ms$ for TD = GND b) $t_{TD} = 600ms$ for TD = Open c) $t_{TD} = 1200ms$ for TD = VCC
3	6	TOL	CAT1232LP TOL selects 5% (TOL = GND) or 10% (TOL = VCC) trip point tolerance. CAT1832 TOL selects 10% (TOL = GND) or 20% TOL = VCC) trip point tolerance.
4	8	GND	Ground
5	9	RESET	Active HIGH reset output. RESET is active 1. If VCC falls below the reset voltage trip point 2. If PBRST is low 3. If ST is not strobed low before the timeout period set by TD expires. 4. During power-up.
6	11	RESET	Active LOW reset output. (See RESET)
7	13	ST	Strobe Input
8	15	VCC	Power Supply
	1, 3, 5, 7, 10, 12, 14, 16	NC	No internal connection

ABSOLUTE MAXIMUM RATINGS*

Voltage on V_{CC}	-0.5V to 7.0V	Maximum Junction Temperature	125°C
Voltage on \overline{ST} and TD	-0.5V to $V_{CC} + 0.5V$	Storage Temperature Range	-65°C to +150°C
Voltage on \overline{PBRST} , \overline{RESET} and RESET	-0.5V to $V_{CC} + 0.5V$	Lead Soldering Temperature (10 sec)	300°C
		Operating Temperature Range	-40°C to +85°C

ELECTRICAL CHARACTERISTICS

Unless otherwise stated, $1.0V \leq V_{CC} \leq 5.5V$ and over the operating temperature range of -40°C to +85°C. All voltages are referenced to ground.

Symbol	Parameter	Conditions	Min	Typ	Max	Units
V_{CC}	Supply Voltage		1.0		5.5	V
I_{CC1}	Supply Current	$V_{CC} = 5.5V$, CAT1232LP		35	50	μA
		$V_{CC} = 3.6V$, CAT1832		20	35	
V_{IH}	\overline{ST} and \overline{PBRST} Input High Level	(5)	2		$V_{CC} + 0.3V$	V
		(6)	$V_{CC} - 0.4V$			
V_{IL}	\overline{ST} and \overline{PBRST} Input Low Level	$V_{CC} = 5.5V$, CAT1232LP	- 0.3		0.8	V
		$V_{CC} = 3.6V$, CAT1832			0.5	
V_{CCTP}	V_{CC} Trip Point (TOL = GND)	CAT1232LP	4.50	4.62	4.74	V
V_{CCTP}	V_{CC} Trip Point (TOL = V_{CC})	CAT1232LP	4.25	4.37	4.49	V
V_{CCTP}	V_{CC} Trip Point (TOL = GND)	CAT1832	2.80	2.88	2.97	V
V_{CCTP}	V_{CC} Trip Point (TOL = V_{CC})	CAT1832	2.47	2.55	2.64	V
t_{TD}	Watchdog Time-Out Period	TD = GND	62.5	150	250	ms
t_{TD}	Watchdog Time-Out Period	TD = V_{CC}	500	1200	2000	ms
t_{TD}	Watchdog Time-Out Period	TD floating	250	600	1000	ms
V_{OH}	Output Voltage	$I = - 500\mu A^{(3)}$	$V_{CC} - 0.5V$	$V_{CC} - 0.1V$		V
I_{OH}	Output Current	Output = 2.4V ⁽²⁾		- 350		μA
I_{OL}	Output Current	Output = 0.4V,	10			mA
I_{IL}	Input Leakage	(1)	- 1.0		1.0	μA
R_{PU}	Internal Pull-Up Resistor	(1)	32	40	55	k Ω
C_{IN}	Input Capacitance				5	pF
C_{OUT}	Output Capacitance				7	pF
t_{PB}	\overline{PBRST} Manual Reset Minimum Low Time	$\overline{PBRST} = V_{IL}$	20			ms
t_{RST}	Reset Active Time		250	600	1000	ms
t_{ST}	\overline{ST} Pulse Width	(4)	20			ns
t_{RPD}	V_{CC} Fail Detect to \overline{RESET} or \overline{RESET}			5	8	μs
t_F	V_{CC} Slew Rate		20			μs
t_{PDLY}	\overline{PBRST} Stable LOW to \overline{RESET} and \overline{RESET} Active				20	ms
t_{RPU}	V_{CC} Detect to \overline{RESET} or \overline{RESET} Inactive	$t_{RISE} = 5\mu s$	250	600	1000	ms
t_R	V_{CC} Slew Rate	4.25V to 4.75V	0			ns

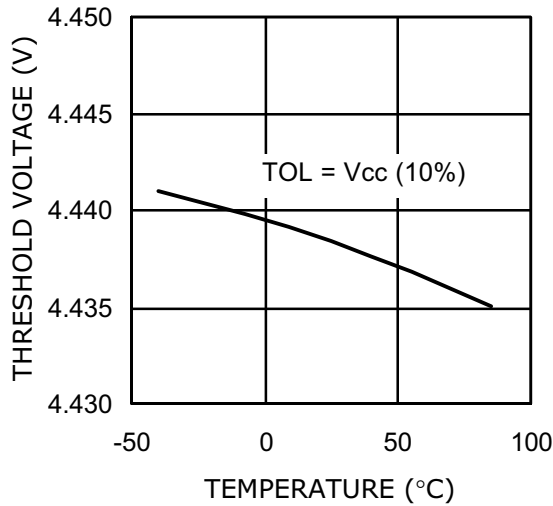
Notes:

- | | |
|---|--|
| (1) \overline{PBRST} is internally pulled HIGH to V_{CC} through a nominal 40k Ω resistor (R_{PU}). | (4) Must not exceed the minimum watchdog time-out period (t_{TD}). The watchdog circuit cannot be disabled. To avoid a reset, \overline{ST} must be strobed. |
| (2) \overline{RESET} is an open drain output on the CAT1232LP. | (5) Measured with $V_{CC} \geq 2.7V$. |
| (3) \overline{RESET} remains within 0.5V of V_{CC} on power-down until V_{CC} falls below 2V. \overline{RESET} remains within 0.5V of ground on power-down until V_{CC} falls below 2.0V. | (6) Measured with $V_{CC} < 2.7V$. |

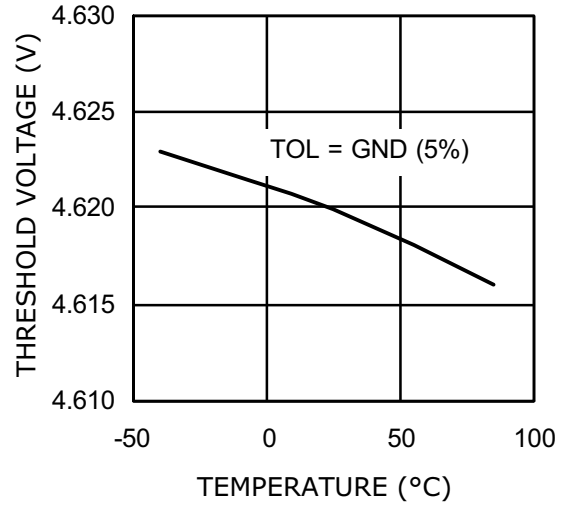
TYPICAL CHARACTERISTICS

For the CAT1232LP, $V_{CC} = 5V$ and $T_{AMB} = 25^{\circ}C$ unless otherwise stated.

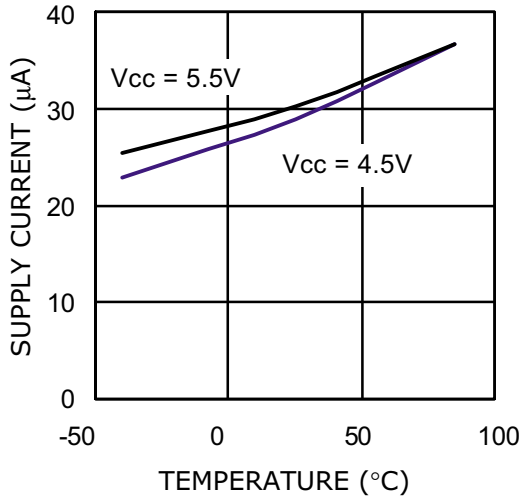
Threshold Voltage vs. Temperature (10% TOL)



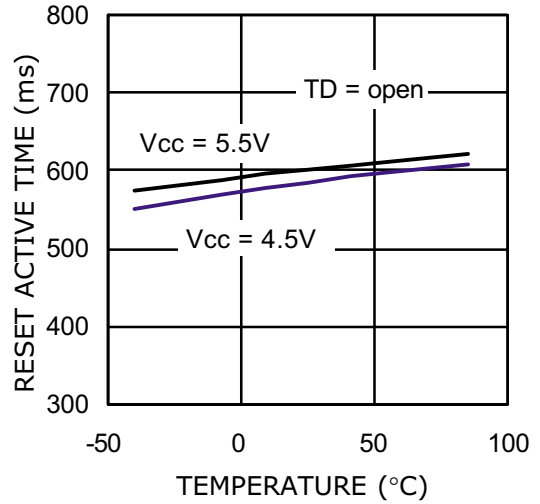
Threshold Voltage vs. Temperature (5% TOL)



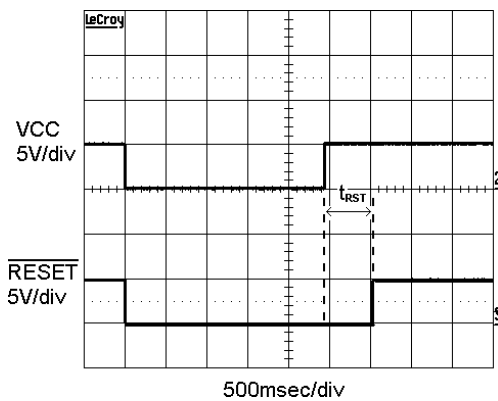
Supply Current vs. Temperature



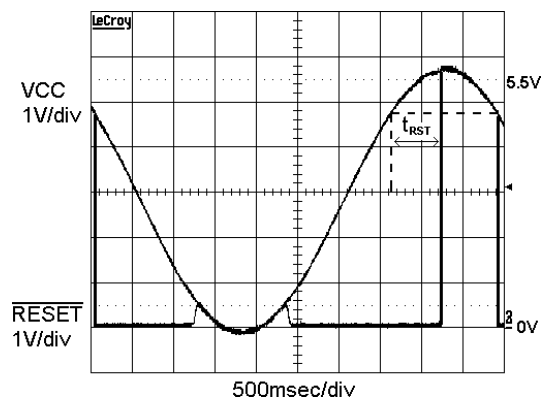
Reset Active Time vs. Temperature



Reset Active Time Waveform



Transient Response



APPLICATION INFORMATION

SUPPLY VOLTAGE MONITOR

Reset Signal Polarity and Output Stage Structure

$\overline{\text{RESET}}$ is an active LOW signal. It is developed with an open drain driver in the CAT1232LP. A pull-up resistor is required, typical values are 10k Ω to 50k Ω . The CAT1832 uses a CMOS push-pull output stage for the $\overline{\text{RESET}}$.

RESET is an active High signal developed by a CMOS push-pull output stage and is the logical opposite to $\overline{\text{RESET}}$.

Trip Point Tolerance Selection

The TOL input is used to select the V_{CC} trip point threshold. This selection is made connecting the TOL input to ground or V_{CC} . Connecting TOL to Ground makes the V_{CC} trip threshold 4.62V for the CAT1232LP and 2.88V for the CAT1832.

Connecting TOL to V_{CC} makes the V_{CC} trip threshold 4.37V for the CAT1232LP and 2.55V for the CAT1832.

After V_{CC} has risen above the trip point set by TOL, $\overline{\text{RESET}}$ and $\overline{\text{RESET}}$ remain active for a minimum time period of 250ms.

On power-down, once V_{CC} falls below the reset threshold the $\overline{\text{RESET}}$ outputs will remain active and are guaranteed valid down to a V_{CC} level of 1.0V.

Tolerance Select Voltage	Trip Point Tolerance	Trip Point Voltage (V)		
		MIN	NOMINAL	MAX
CAT1232LP TOL = V_{CC}	10 %	4.25	4.37	4.49
CAT1232LP TOL = GND	5 %	4.50	4.62	4.74
CAT1832 TOL = V_{CC}	20 %	2.47	2.55	2.64
CAT1832 TOL = GND	10 %	2.80	2.88	2.97

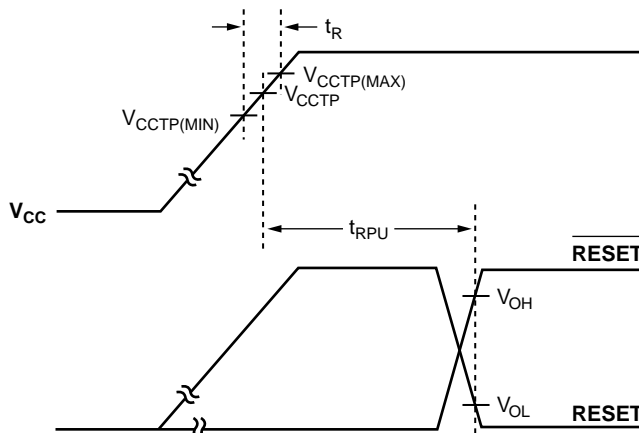


Figure 1. Timing Diagram: Power Up

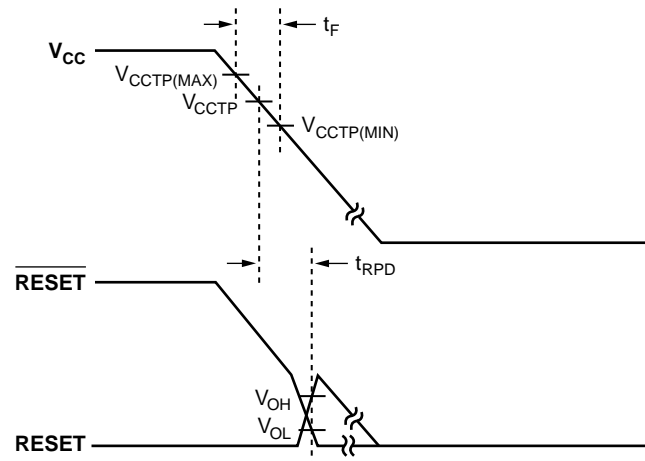


Figure 2. Timing Diagram: Power Down

Manual Reset Operation

Push-button input, $\overline{\text{PBRST}}$, allows the user to issue reset signals. The pushbutton input is debounced and is pulled high through an internal 40k Ω resistor.

When $\overline{\text{PBRST}}$ is held low for the minimum time of 20 ms, both resets become active and remain active for a minimum time period of 250ms after $\overline{\text{PBRST}}$ returns high.

No external pull-up resistor is required, since $\overline{\text{PBRST}}$ is pulled high by an internal 40k Ω resistor.

$\overline{\text{PBRST}}$ can be driven from a TTL or CMOS logic line or short-ed to ground with a mechanical switch.

WATCHDOG TIMER AND \overline{ST} INPUT

A watchdog timer stops and restarts a microprocessor that has stopped proper operation or become "hung". The watchdog performs this function by monitoring the \overline{ST} input. After the reset outputs go inactive the \overline{ST} input must be strobed with a high-to-low signal transition prior to the minimum watchdog timeout period. However if the \overline{ST} input is not strobed with a high-to-low signal transition prior to a watchdog timeout the reset outputs will become active for T_{RST} resetting and restarting the microprocessor. Once the resets return to the inactive state the watchdog timer restarts the process.

The TD input allows the user to select from three predetermined watchdog timeout periods. Always use the minimum timeout period to determine the required frequency of \overline{ST} high-to-low transitions and the maximum to determine the time prior to the reset outputs becoming active. \overline{ST} pulse widths must be 20ns or greater.

The watchdog timer cannot be disabled. It must be strobed with a high-to-low signal transition to avoid a watchdog timeout and subsequent reset.

TD Voltage Level	Watchdog Time-out Period (ms)		
	MIN	NOMINAL	MAX
GND	62.5	150	250
Floating	250	600	1000
V _{CC}	500	1200	2000

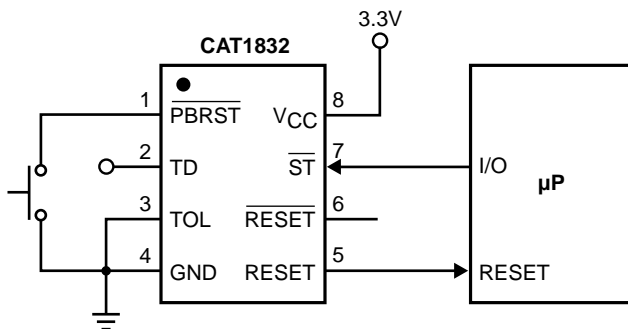


Figure 4. CAT1832 Application Circuit: Pushbutton Reset

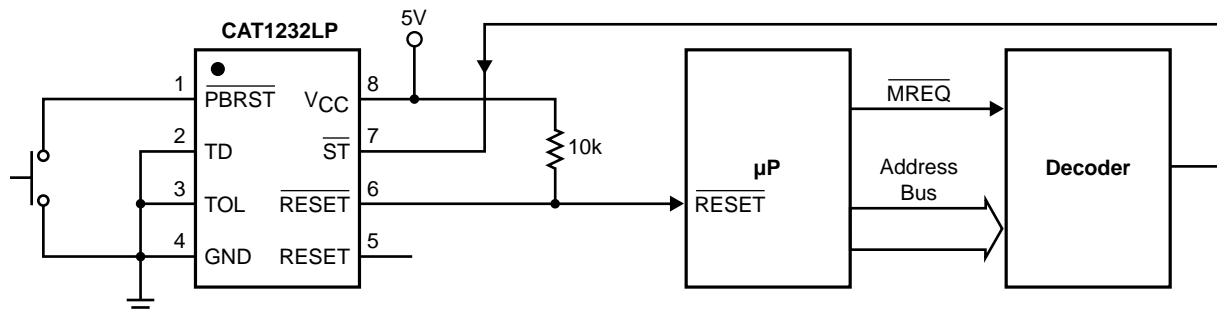


Figure 5. CAT1232LP Application Circuit: Watchdog Timer

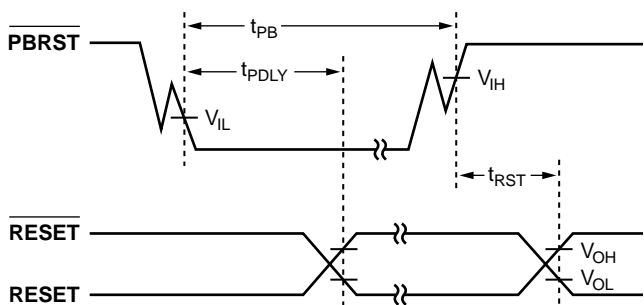


Figure 6. Timing Diagram: Pushbutton Reset

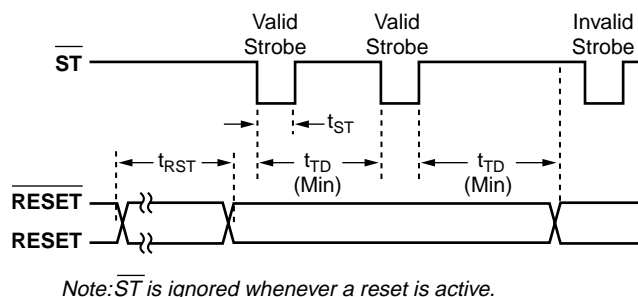
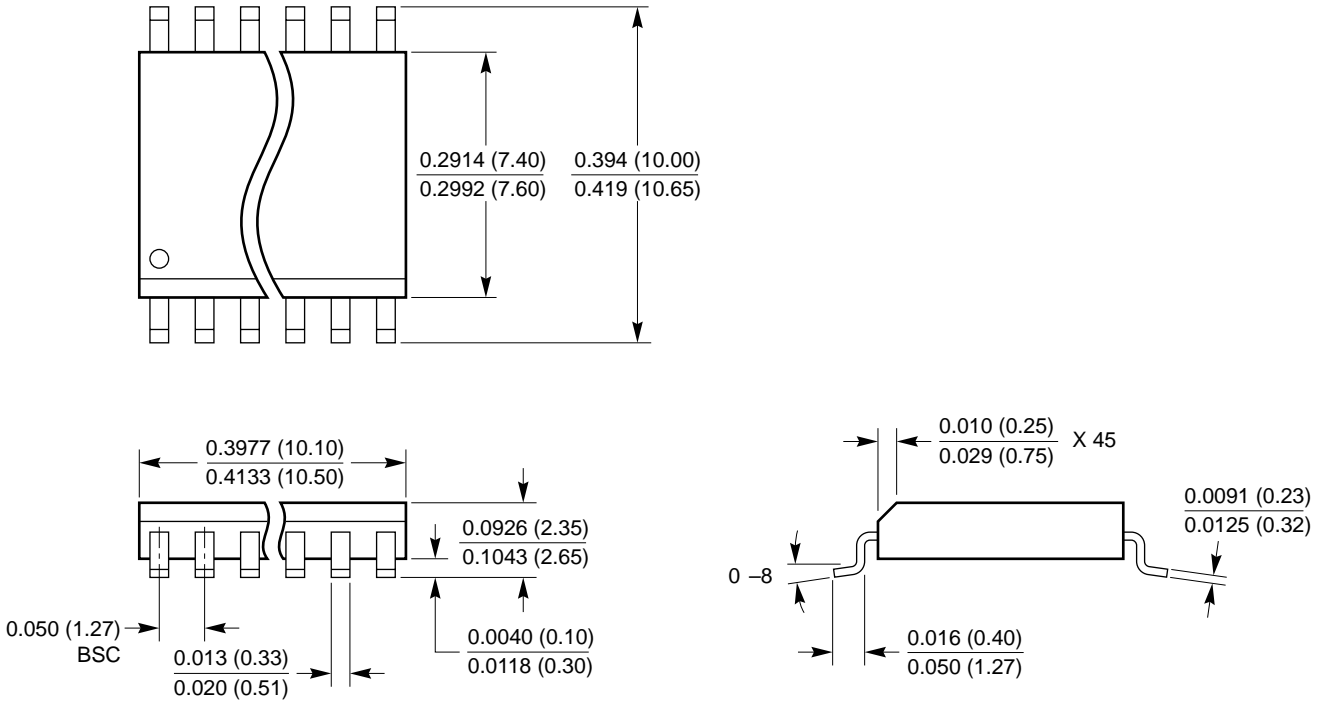


Figure 7. Timing Diagram: Strobe Input

PACKAGE MECHANICAL

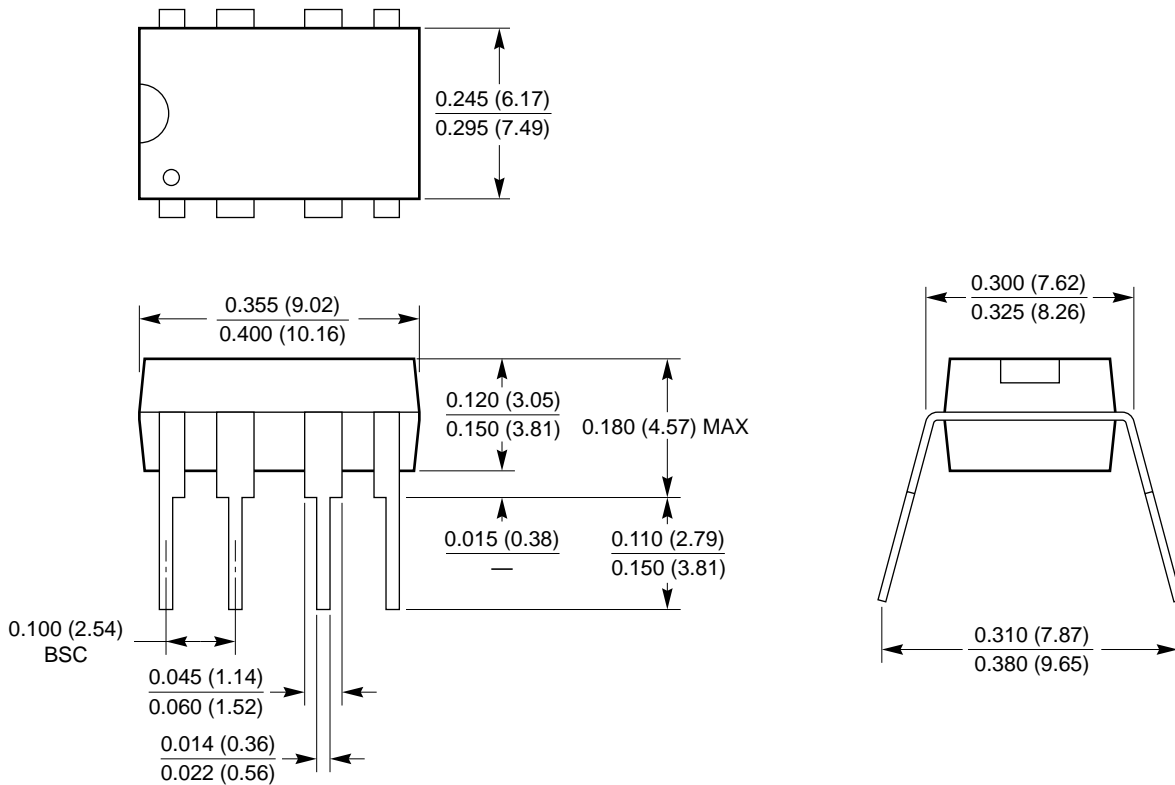
16-LEAD WIDE BODY SOIC (300mil)



Notes:

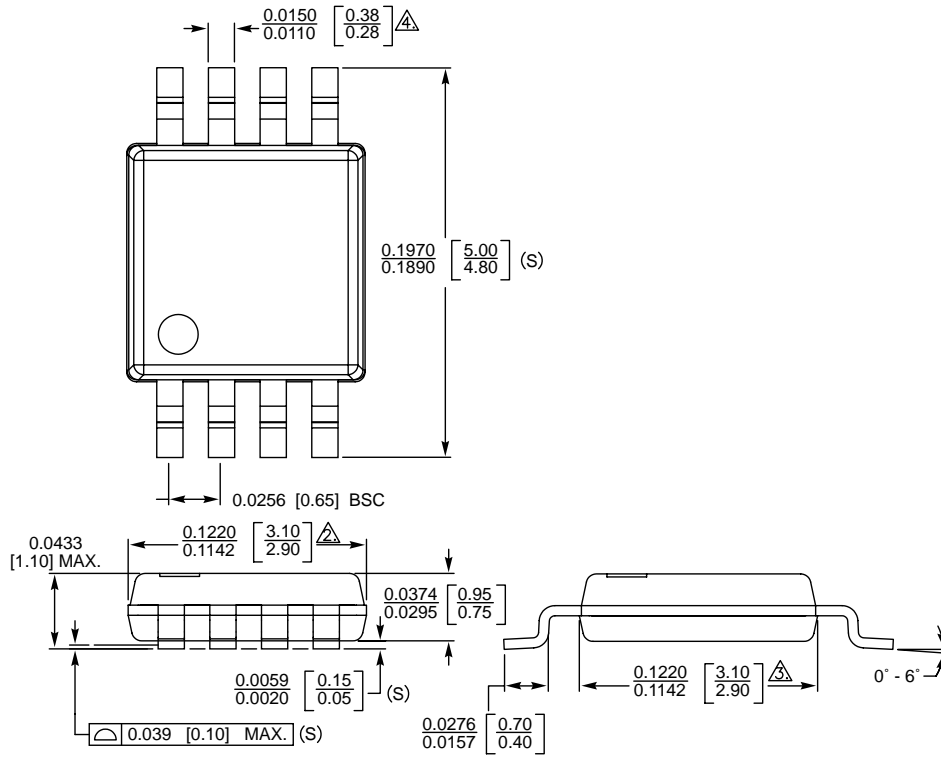
1. Complies with JEDEC publication 95 MS-013 dimensions; however, some dimensions may be more stringent.
2. All linear dimensions are in inches and parenthetically in millimeters.

8-LEAD DIP (300mil)

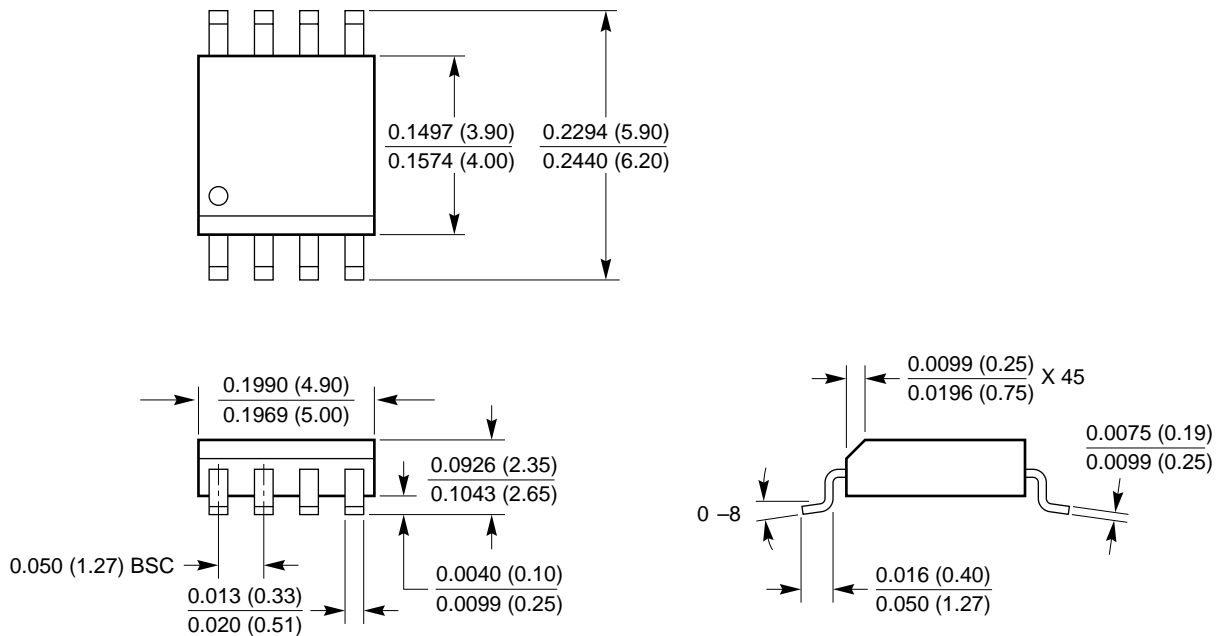


PACKAGE MECHANICAL

8-LEAD MSOP



8-LEAD Narrow Body SOIC (150mil)



REVISION HISTORY

Date	Revision	Comments
06/13/2005	00	Initial Issue
07/26/2005	A	Update Electrical Characteristics Add Typical Characteristics

Copyrights, Trademarks and Patents

Trademarks and registered trademarks of Catalyst Semiconductor include each of the following:

DPP™ AE²™

Catalyst Semiconductor has been issued U.S. and foreign patents and has patent applications pending that protect its products. For a complete list of patents issued to Catalyst Semiconductor contact the Company's corporate office at 408.542.1000.

CATALYST SEMICONDUCTOR MAKES NO WARRANTY, REPRESENTATION OR GUARANTEE, EXPRESS OR IMPLIED, REGARDING THE SUITABILITY OF ITS PRODUCTS FOR ANY PARTICULAR PURPOSE, NOR THAT THE USE OF ITS PRODUCTS WILL NOT INFRINGE ITS INTELLECTUAL PROPERTY RIGHTS OR THE RIGHTS OF THIRD PARTIES WITH RESPECT TO ANY PARTICULAR USE OR APPLICATION AND SPECIFICALLY DISCLAIMS ANY AND ALL LIABILITY ARISING OUT OF ANY SUCH USE OR APPLICATION, INCLUDING BUT NOT LIMITED TO, CONSEQUENTIAL OR INCIDENTAL DAMAGES.

Catalyst Semiconductor products are not designed, intended, or authorized for use as components in systems intended for surgical implant into the body, or other applications intended to support or sustain life, or for any other application in which the failure of the Catalyst Semiconductor product could create a situation where personal injury or death may occur.

Catalyst Semiconductor reserves the right to make changes to or discontinue any product or service described herein without notice. Products with data sheets labeled "Advance Information" or "Preliminary" and other products described herein may not be in production or offered for sale.

Catalyst Semiconductor advises customers to obtain the current version of the relevant product information before placing orders. Circuit diagrams illustrate typical semiconductor applications and may not be complete.



Catalyst Semiconductor, Inc.
Corporate Headquarters
1250 Borregas Avenue
Sunnyvale, CA 94089
Phone: 408.542.1000
Fax: 408.542.1200
www.caalyst-semiconductor.com

Publication #: 25089
Revision: A
Issue date: 07/26/05