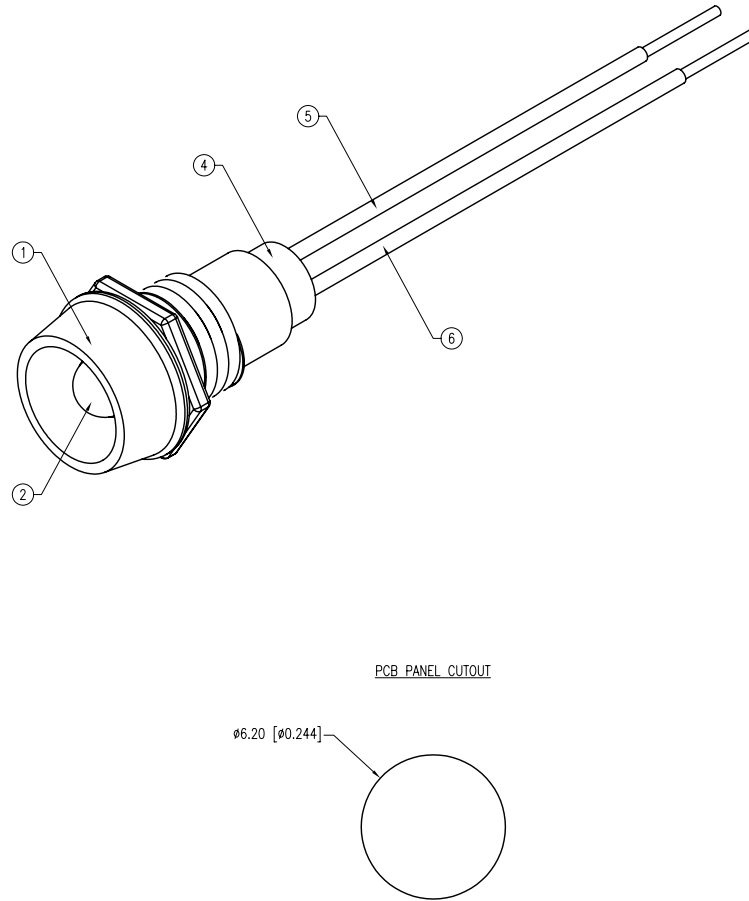
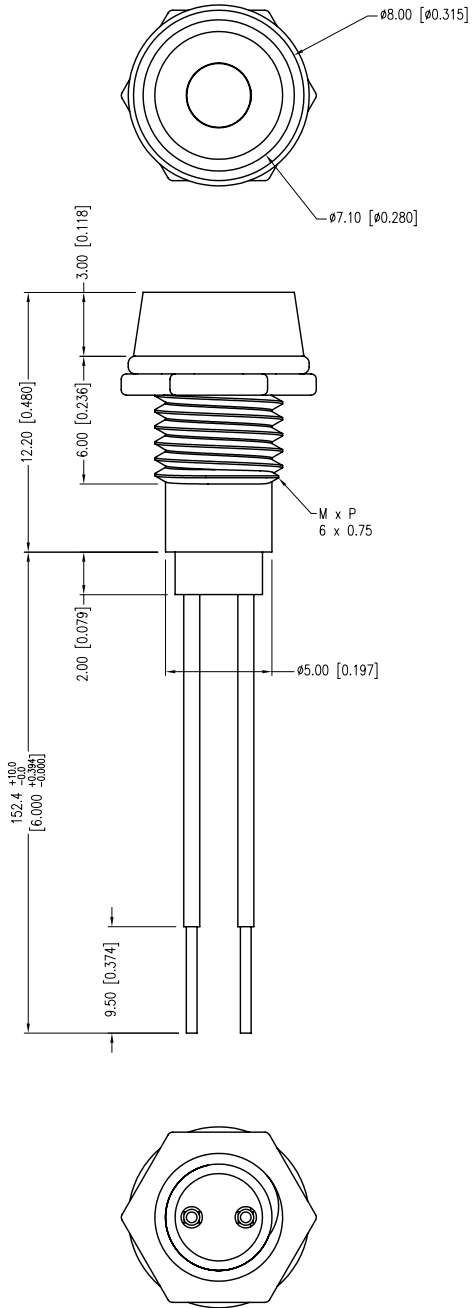


PART NUMBER	SSI-LXR1612YD12V15	REV.	A
DATE	E.C.N. NUMBER AND REVISION COMMENTS		REV.
07.14.11	E.C.N. #10BRDR. & REDRAWN.		A



PCB PANEL CUTOUT

$\phi 6.20$  [0.244]

ELECTRO-OPTICAL CHARACTERISTICS $T_a=25^\circ\text{C}$				$V_f=12\text{V}$	
PARAMETER	MIN	TYP	MAX	UNITS	UNITS
PEAK WAVELENGTH		585		nm	
FORWARD VOLTAGE		12.0	14.0	Vf	
REVERSE VOLTAGE	5.0			Vr	Ir=100 $\mu$ A
AXIAL INTENSITY		10		mcd	Vf=12V
VIEWING ANGLE		60		2x theta	
EMITTED COLOR:	YELLOW				
EPOXY LENS FINISH:	YELLOW DIFFUSED				

LIMITS OF SAFE OPERATION AT 25°C		
PARAMETER	MAX	UNITS
PEAK FORWARD VOLTAGE	14	V
STEADY CURRENT	12	mA
POWER DISSIPATION	310	mW
DERATE FROM 25°C	-1.6	mW/°C
OPERATING TEMP.	-40 TO +85	°C
STORAGE TEMP.	-40 TO +85	°C

NOTES:

- SSI-LXR1612, CHROME HOUSING.
- SSL-LX3054YD-12V, YELLOW LED. TRIM LEADS TO 5mm.
- SOLDER WIRE LEADS TO LED LEADS.
- SSH-LXH1612BSC, BUSHING. INSERT AND CRIMP.
- ANODE LEAD: LXP-WST26RDTOC, 26 AWG, TINNED OVERCOAT, RED INSULATION. CUT 157mm LONG, STRIP END 2mm & 9.5mm.
- CATHODE LEAD: LXP-WST26BLTOC, 26 AWG, TINNED OVERCOAT, BLACK INSULATION. CUT 157mm LONG, STRIP END 2mm & 9.5mm.

\*UNLESS OTHERWISE SPECIFIED TOLERANCES PER DECIMAL PRECISION ARE: X=±1 (±0.039), X.X=±0.5 (±0.020), X.XX=±0.25 (±0.010), X.XXX=±0.127 (±0.005). LEAD SIZE=±0.05 (±0.002), LEAD LENGTH=±0.75 (±0.030). MIN.=  $\begin{matrix} +0.00 \\ -0.00 \end{matrix}$  DECIMAL PRECISION MAX.=  $\begin{matrix} +0.00 \\ -0.00 \end{matrix}$  DECIMAL PRECISION

UNCONTROLLED DOCUMENT



290 E. HELEN ROAD  
PALATINE, IL 60067-6976  
PHONE: +1.847.359.2790  
FAX: +1.847.359.6538  
WEB: WWW.LUMEX.COM

T-3mm (T-1) 585nm YELLOW LED PANEL INDICATOR, YELLOW DIFFUSED, 6" WIRE LEADS, 12V OPERATION.

\*\*THE SPECIFICATIONS MAY CHANGE AT ANY TIME WITHOUT NOTICE DUE TO NEW MATERIALS OR PRODUCT IMPROVEMENT.\*\*

CONFIDENTIAL INFORMATION  
THE INFORMATION CONTAINED IN THIS DOCUMENT IS THE PROPERTY OF LUMEX INC. EXCEPT AS SPECIFICALLY AUTHORIZED IN WRITING BY LUMEX INC., THE HOLDER OF THIS DOCUMENT SHALL KEEP ALL INFORMATION CONTAINED HEREIN CONFIDENTIAL AND SHALL PROTECT SAME IN WHOLE OR IN PART FROM DISCLOSURE AND DISSEMINATION TO ALL THIRD PARTIES.

DATE:	07.14.11	DRAWN BY:	AB
PAGE:	1 OF 1	CHKD BY:	KF
SCALE:	NTS	APRVD BY:	SS
UNIT:	mm [INCH]		Ⓟ