

### MAIN FEATURE

1. Switching current up to 25A.
2. P.C.Board & Plug-in Terminal available.
3. Employment of suitable plastic materials to be applied to high temperature and various chemical solutions.
4. Halogen Free series available.
5. UL Class F insulation available.
6. Comply with RoHS and REACH regulations.

### CONTACT RATING

Load Type	GI (DM)
Rated Load (Resistive)	TÜV: 25A 277VAC UL: 23A 277VAC
Rated Carrying Current	25A
Max. Allowable Voltage	AC 277V
Max. Allowable Current	25A
Max. Allowable Power Force	6,925VA
Contact Material	Ag Alloy
Contact Form	SPST

### APPLICATION

Domestic and Industrial Appliances, General Control etc...

### PERFORMANCE (AT INITIAL VALUE)

- Contact Resistance ..... 100 mΩ Max.@1A,6VDC
- Operate Time.....20 mSec. Max.
- Release Time ..... 10 mSec. Max.
- Dielectric Strength:
  - Between Coil & Contact.....4,000VAC at 50/60 Hz for one minute
  - Between Contacts ..... 1,000VAC at 50/60 Hz for one minute
- Surge Strength ..... 10,000V (between Coil & Contact 1.2x50μSec.)
- Insulation Resistance ..... 100 MegaΩ Min. at 500VDC
- Max. On/Off Switching:
  - Electrical .....6 Cycles per Minute
  - Mechanical.....300 Cycles per Minute
- Temperature Range .....-20~+85°C
- Humidity Range .....45~85% RH.
- Coil Temperature Rise ..... 55°C Max.

- Vibration:
  - Destruction ..... 10 to 55 to 10 Hz,0.75 mm single amplitude (1.5mm double amplitude)
  - Malfunction ..... 10 to 55 to 10 Hz,0.75 mm single amplitude (1.5mm double amplitude)
- Shock:
  - Destruction ..... 1,000 m/S<sup>2</sup>
  - Malfunction ..... 100 m/S<sup>2</sup>
- Life Expectancy:
  - Mechanical ..... 10<sup>7</sup> Operations at No Load condition
  - Electrical ..... 10<sup>5</sup> Operations at Rated Resistive Load
- Weight ..... About 26.6 g

### SAFETY STANDARD & FILE NUMBER

- UL & C-UL..... E141060
- TÜV ..... R50191690

**COIL SPECIFICATION (AT 20°C)**

Coil Sensitivity	Nominal Voltage (VDC)	Nominal Current (mA)	Coil Resistance ( $\Omega \pm 10\%$ )	Power Consumption (W)	Pull-In Voltage (VDC)	Drop-Out Voltage (VDC)	Maximum Allowable Voltage (VDC)
GI	6	150	40	Abt. 0.9	70% Maximum	10% Minimum	110%
	12	75	160				
	24	37.5	640				
	48	18.8	2,560				

**ORDERING INFORMATION**

**GI - S - 1 12 D M F H F**

**Insulation System:** Nil: Class B  
F: Class F

**Contact Rating:** H: TÜV 25A/277VAC  
UL 23A/277VAC

**Terminal Type:** F: With PC Board & Plug-in Terminal  
P: PC Board Terminal Only

**Contact Form:** M: One Form A

**Coil type:** D: Standard DC

**Coil Voltage:** 06: 6V, 12: 12V, 24: 24V, 48: 48V

**Number of Pole:** 1: One Pole

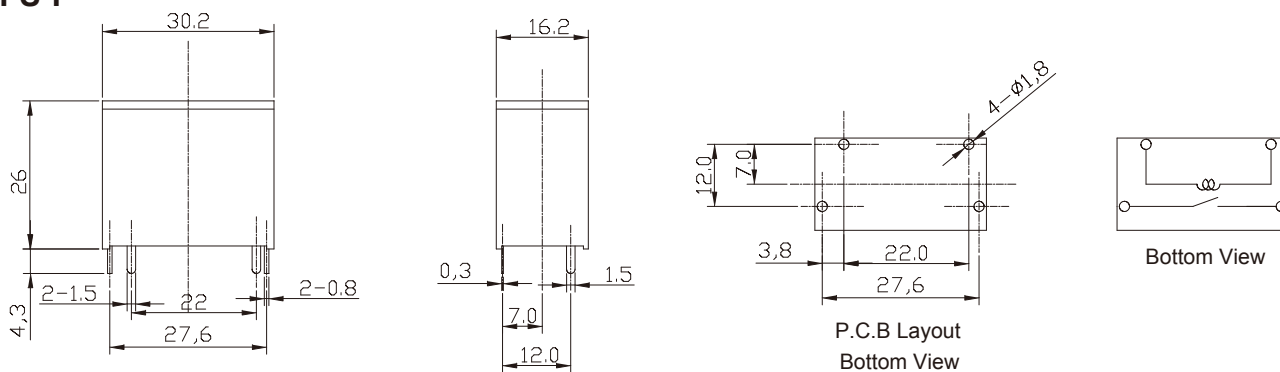
**Type of Sealing:** S: RT I Dust Protected  
GI

**CLASSIFICATION**

Model	GI	
Terminal Type	PC Board Terminal Only	With PC Board & Plug In Terminal
Contact Rating	TÜV 25A/277VAC UL 23A/277VAC	TÜV 25A/277VAC UL 23A/277VAC
Hand Soldered Type	GI-S-1□□DMPH	GI-S-1□□DMFH

**DIMENSION ( $\leq 5\text{mm} \pm 0.2\text{mm}$ ,  $> 5\text{mm} \pm 0.3\text{mm}$ , the tolerance of PCB thru hole:  $+0.1\text{mm}$ )**

**GI-S-P**



**GI-S-F**

