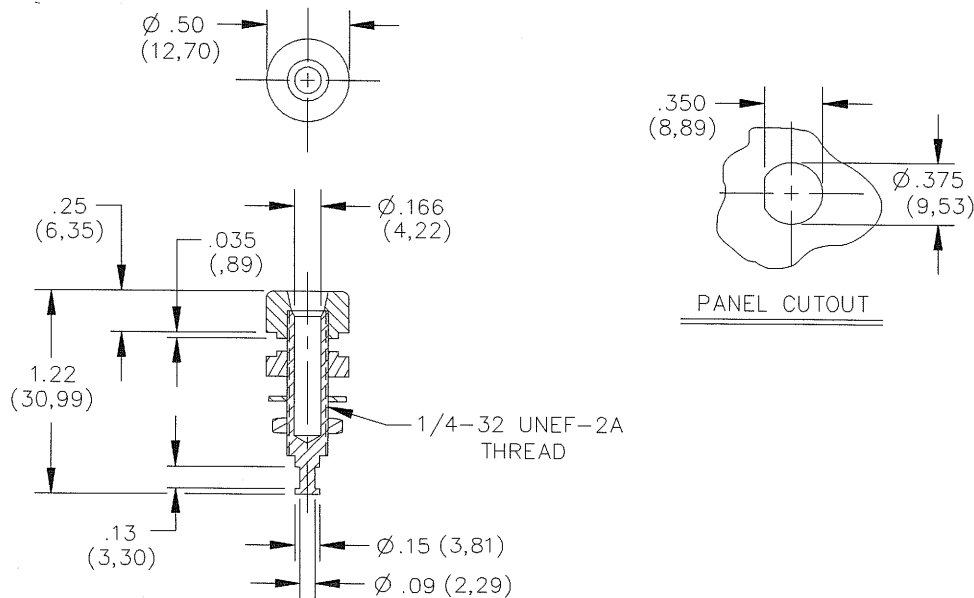


# MUELLER®

**MODEL: BU-P2854-\***

**Banana Jack (Panel mount)**



## MATERIALS:

Contacts – Gold Plated Brass

Insulators – High Temperature Nylon

Comes standard is -0 Black; and -2 Red. Other colors available on special order

Solder connection

## RATING:

15 Amps

Hands free testing to 2000 VDC max.

Temperature:  $-50^{\circ}\text{C}$  to  $120^{\circ}\text{C}$